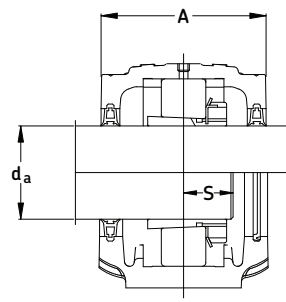
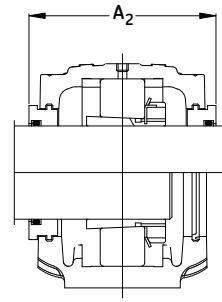


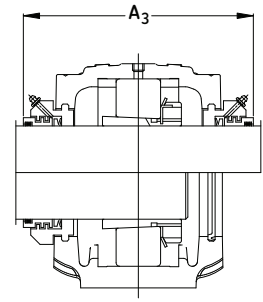
Series SNL 500 and SNL 600
Pillow blocks of cast iron for
bearing with adapter sleeve,
grease or oil lubrication
 d_a 1 $\frac{7}{16}$ - 1 $\frac{1}{2}$ in (35 mm)



Double-lip seals
G & L design



Labyrinth seals
S design

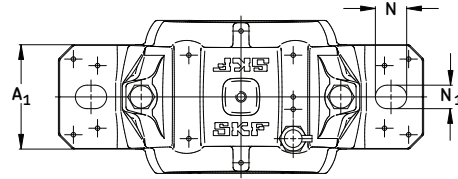
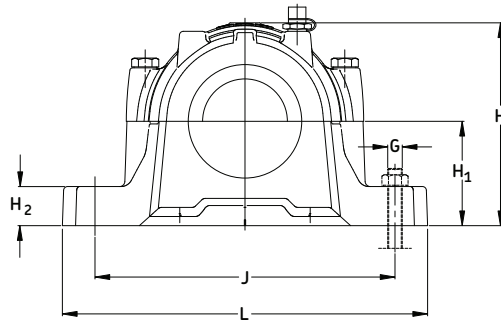


Taconite seals
ND design

Shaft Dia. d_a	Complete Pillow Block Assembly	Housing	Standard Seal Package	Bearing	Adapter Sleeve	Fixing Rings	Mass Complete Qty.	End Cover		
								lb.	kg.	
mm in								lb.	kg.	
35	SNL 1508/35 TL	SNL 508-607	TSN 508L	1208 EK	H 208	FRB 10.5/80	2	7.89	3.58	ASNH 508-607
	SNL 1608/35 TG	SNL 510-608	TSN 608G	1308 EK	H 308	FRB 9/90	2	9.02	4.09	ASNH 510-608
	SNL 2508/35 TL	SNL 508-607	TSN 508L	2208 EK	H 308	FRB 8/80	2	8.14	3.69	ASNH 508-607
	SNL 2608/35 TG	SNL 510-608	TSN 608G	2308 EK	H 2308	FRB 4/90	2	9.48	4.32	ASNH 510-608
	SNL 21608/35 TG	SNL 510-608	TSN 608G	21308 EK	H 308	FRB 9/90	2	9.02	4.09	ASNH 510-608
	SNL 22508/35 TL	SNL 508-607	TSN 508L	22208 EK	H 308	FRB 8/80	2	8.16	3.70	ASNH 508-607
	SNL 22608/35 TG	SNL 510-608	TSN 608G	22308 EK	H 2308	FRB 4/90	2	9.52	4.32	ASNH 510-608
	SNL C2508/35 TL	SNL 508-607	TSN 508L	C2208 K*	H 308E	FRB 8/80	2	8.16	3.70	ASNH 508-607
1 $\frac{7}{16}$	SNL 1509/1 $\frac{7}{16}$ TGA	SNL 509	TSN 509GA	1209 EK	HA 209	FRB 5.5/85	2	7.91	3.59	ASNH 509
	SNL 1609/1 $\frac{7}{16}$ TGA	SNL 511-609	TSN 609GA	1309 EK	HA 309	FRB 9.5/100	2	12.3	5.59	ASNH 511-609
	SNL 2509/1 $\frac{7}{16}$ TGA	SNL 509	TSN 509GA	2209 EK	HA 309	FRB 3.5/85	2	8.18	3.71	ASNH 509
	SNL 2609/1 $\frac{7}{16}$ TGA	SNL 511-609	TSN 609GA	2309 EK	HA 2309	FRB 4/100	2	13.0	5.88	ASNH 511-609
	SNL 21609/1 $\frac{7}{16}$ TGA	SNL 511-609	TSN 609GA	21309 EK	HA 309	FRB 9.5/100	2	12.3	5.59	ASNH 511-609
	SNL 22509/1 $\frac{7}{16}$ TGA	SNL 509	TSN 509GA	22209 EK	HA 309	FRB 3.5/85	2	8.16	3.70	ASNH 509
	SNL 22609/1 $\frac{7}{16}$ TGA	SNL 511-609	TSN 609GA	22309 EK	HA 2309	FRB 4/100	2	13.3	6.03	ASNH 511-609
	SNL C2509/1 $\frac{7}{16}$ TGA	SNL 509	TSN 509GA	C2209 K*	HA 309E	FRB 3.5/85	2	8.16	3.70	ASNH 509
1 $\frac{1}{2}$	SNL 1509/1 $\frac{1}{2}$ TGE	SNL 509	TSN 509GE	1209 EK	HE 209	FRB 5.5/85	2	7.91	3.59	ASNH 509
	SNL 1609/1 $\frac{1}{2}$ TGE	SNL 511-609	TSN 609GE	1309 EK	HE 309	FRB 9.5/100	2	12.3	5.59	ASNH 511-609
	SNL 2509/1 $\frac{1}{2}$ TGE	SNL 509	TSN 509GE	2209 EK	HE 309	FRB 3.5/85	2	8.18	3.71	ASNH 509
	SNL 2609/1 $\frac{1}{2}$ TGE	SNL 511-609	TSN 609GE	2309 EK	HE 309	FRB 4/100	2	13.0	5.88	ASNH 511-609
	SNL 21609/1 $\frac{1}{2}$ TGE	SNL 511-609	TSN 609GE	21309 EK	HE 309	FRB 9.5/100	2	12.3	5.59	ASNH 511-609
	SNL 22509/1 $\frac{1}{2}$ TGE	SNL 509	TSN 509GE	22209 EK	HE 309	FRB 3.5/85	2	8.16	3.70	ASNH 509
	SNL 22609/1 $\frac{1}{2}$ TGE	SNL 511-609	TSN 609GE	22309 EK	HE 2309	FRB 4/100	2	13.3	6.03	ASNH 511-609
	SNL C2509/1 $\frac{1}{2}$ TGE	SNL 509	TSN 509GE	C2209 K*	HE 309E	FRB 3.5/85	2	8.16	3.70	ASNH 509

* Must always be located.

Pillow block housing series SNL



Housing No.	Dimensions													Bolts (2 req'd)	
	A	A ₁	A ₂	A ₃	H	H ₁	H ₂	J _{max}	J _{min}	J	L	N	N ₁	G	S*
in/mm															
SNL 508-607	3 3/8	2 3/8	3 13/16	5 3/4	4 1/4	2.362	1	6 7/8	6 1/2	6 11/16	8 1/8	3/4	5/8	1/2	*
	85	60	97	145	108	60	25	175	165	170	205	20	15	12	*
SNL 509	3 3/8	2 3/8	3 13/16	5 15/16	4 5/16	2.362	1	6 7/8	6 1/2	6 11/16	8 1/8	3/4	5/8	1/2	*
	85	60	97	150	109	60	25	175	165	170	205	20	15	12	*
SNL 510-608	3 9/16	2 3/8	4	5 15/16	4 1/2	2.362	1	6 7/8	6 1/2	6 11/16	8 1/8	3/4	5/8	1/2	*
	90	60	102	150	113	60	25	175	165	170	205	20	15	12	*
SNL 511-609	3 3/4	2 3/4	4 1/4	6 1/8	5	2.756	1 1/8	8 7/16	8 1/16	8 5/16	10 1/16	1	3/4	5/8	*
	95	70	107	155	128	70	28	215	205	210	255	24	18	16	*

***NOTE:** Dimension "S" indicates the shaft length from the centre of the bearing to the end of the shaft for housings with one end closed. For tabulation of the dimension "S", see the bearing tables on pages 52 and 53.

For an example on how to order, please see page 57.