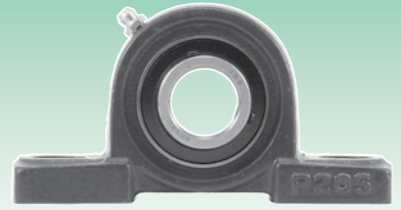
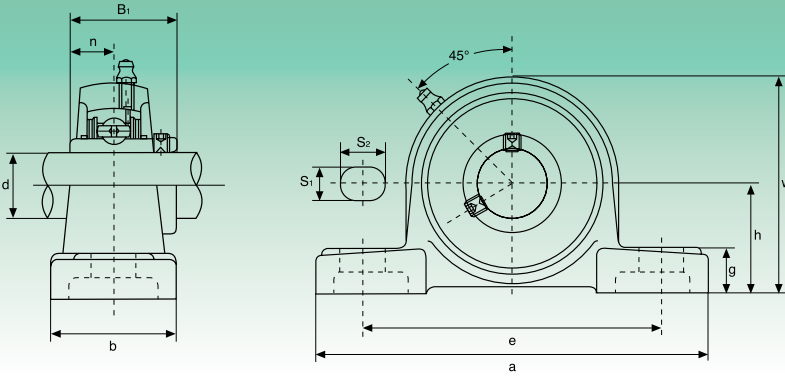


UCP3 Schwere Reihe - Тяжелая серия



Typ Тип	Abmessungen - Размеры											Bef.Bolz. Креп. винт	Tragzahlen (N) Коэффициент нагрузки (H)		Lager Подшипник	Gehäuse Корпус	Gewicht Вес			
	d	h	a	e	b	S ₁	S ₂	g	w	B ₁	n		dynamisch C _d Динамическая C	statisch C _s Статическая C _s				kg		
	mm/Zoll - мм/дюйм												mm/Zoll - мм/дюйм							
UCP305	25	45	175	132	45	17	20	15	85	38	15	M14			UC305 UC305-13 UC305-14 UC305-15 UC305-16	P305	1,4			
UCP305-13	13/16																			
UCP305-14	7/8	149/64	67/8	53/16	125/32	43/64	25/32	19/32	311/32	1,4961	0,591	1/2	20140	10355						
UCP305-15	15/16																			
UCP305-16	1																			
UCP306	30	50	180	140	50	17	20	18	95	43	17	M14			UC306 UC306-17 UC306-18 UC306-19	P306	1,8			
UCP306-17	11/16																			
UCP306-18	11/8	131/32	73/32	5 1/2	131/32	43/64	25/32	23/32	3 3/4	1,6929	0,669	1/2	25365	14250						
UCP306-19	13/16																			
UCP307	35	56	210	160	56	17	25	20	106	48	19	M14			UC307 UC307-20 UC307-21 UC307-22 UC307-23	P307	2,8			
UCP307-20	1 1/4																			
UCP307-21	15/16	113/64	89/32	65/16	213/64	43/64	31/32	25/32	43/16	1,8898	1,748	1/2	31730	18335						
UCP307-22	13/8																			
UCP307-23	17/16																			
UCP308	40	60	220	170	60	17	27	22	116	52	19	M14			UC308 UC308-24 UC308-25	P308	3,0			
UCP308-24	1 1/2																			
UCP308-25	19/16	223/64	821/32	611/16	23/8	43/64	111/16	7/8	49/16	2,0472	0,748	1/2	38665	22800						
UCP309	45	67	245	190	67	20	30	24	129	57	22	M16						UC309 UC309-26 UC309-27 UC309-28	P309	4,1
UCP309-26	15/8																			
UCP309-27	11 1/16	241/64	921/32	715/32	25/8	25/32	13/16	15/16	53/32	2,2441	0,866	5/8	46455	28025						
UCP309-28	1 3/4																			
UCP310	50	75	275	212	75	20	35	27	143	61	22	M16			UC310 UC310-29 UC310-30 UC310-31	P310	5,8			
UCP310-29	113/16																			
UCP310-30	17/8	261/64	1013/16	811/32	215/16	25/32	13/8	11/16	55/8	2,4016	0,866	5/8	58900	36385						
UCP310-31	115/16																			
UCP311	55	80	310	236	80	20	38	30	154	66	25	M16			UC311 UC311-32 UC311-33 UC311-34 UC311-35	P311	7,4			
UCP311-32	2																			
UCP311-33	21/16	35/32	127/32	99/32	35/32	25/32	1 1/2	13/16	61/16	2,5984	0,984	5/8	68020	42750						
UCP311-34	21/8																			
UCP311-35	23/16																			
UCP312	60	85	330	250	85	25	38	32	165	71	26	M20			UC312 UC312-36 UC312-37 UC312-38 UC312-39	P312	9,4			
UCP312-36	2 1/4																			
UCP312-37	25/16	311/32	13	917/32	311/32	31/32	1 1/2	1 1/4	6 1/2	2,7953	1,024	3/4	77805	49590						
UCP312-38	23/8																			
UCP312-39	27/16																			
UCP313	65	90	340	260	90	25	38	33	176	75	30	M20			UC313 UC313-40 UC313-41	P313	10			
UCP313-40	2 1/2																			
UCP313-41	29/16	335/64	133/8	10 1/4	317/32	31/32	1 1/2	15/16	615/16	2,9528	1,181	3/4	88065	56905						
UCP314	70	95	360	280	90	27	40	35	187	78	33	M22						UC314 UC314-42 UC314-43 UC314-44	P314	12
UCP314-42	25/8																			
UCP314-43	21 1/16	347/64	143/16	111/32	317/32	11/16	19/16	13/8	73/8	3,0708	1,299	7/8	98800	64790						
UCP314-44	2 3/4																			
UCP315	75	100	380	290	100	27	40	35	198	82	32	M22			UC315 UC315-45 UC315-46 UC315-47 UC315-48	P315	14			
UCP315-45	216/8																			
UCP315-46	27/8	315/16	1431/32	1113/32	315/16	11/16	19/16	13/8	725/32	3,2283	1,260	7/8	107350	73340						
UCP315-47	215/16																			
UCP315-48	3																			
UCP316	80	106	400	300	110	27	40	40	210	86	34	M22			UC316 UC316-49 UC316-50 UC316-51	P316	18			
UCP316-49	31/16																			
UCP316-50	31/8	411/64	15 3/4	1113/16	411/32	11/16	19/16	19/16	89/32	3,3858	1,339	7/8	111850	82365						
UCP316-51	33/16																			
UCP317	85	112	420	320	110	33	45	40	220	96	40	M27			UC317 UC317-52 UC317-53 UC317-55	P317	20			
UCP317-52	3 3/4																			
UCP317-53	35/16	413/32	1617/32	1219/32	411/32	15/16	125/32	19/16	821/32	3,7795	1,575	1	126350	91960						
UCP317-55	37/16																			
UCP318	90	118	430	330	110	33	45	45	235	96	40	M27			UC318 UC318-55 UC318-56	P318	24			
UCP318-55	37/16																			
UCP318-56	3 1/2	441/64	1615/16	13	411/32	15/16	125/32	125/32	9 1/4	3,7795	1,575	1	135850	101650						
UCP319	95	125	470	360	120	36	50	45	250	103	41	M30						UC319 UC319-58 UC319-59 UC319-60	P319	29
UCP319-58	35/8																			
UCP319-59	31 1/16	459/64	18 1/2	143/16	423/32	113/32	131/32	125/32	927/32	4,0551	1,614	11/8	145350	113050						
UCP319-60	3 3/4																			
UCP320	100	140	490	380	120	36	50	50	275	108	42	M30			UC320 UC320-64	P320	35			
UCP320-64	4	533/64	199/32	1431/32	423/32	113/32	131/32	131/32	1013/16	4,2520	1,654	11/8	164350	133950						
UCP321	105	140	490	380	120	36	50	56	283	112	44	M33						UC321 UC322 UC324 UC326 UC328	P321	35
UCP322	110	150	520	400	140	40	55	61	303	117	46	M33								
UCP324	120	160	570	450	140	40	55	71	323	126	51	M33								
UCP326	130	180	600	480	140	40	55	81	363	135	54	M33								
UCP328	140	200	620	500	140	40	55	81	403	145	59	M33								