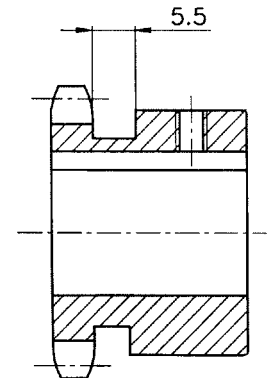
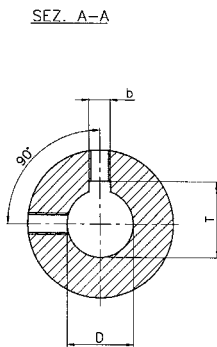
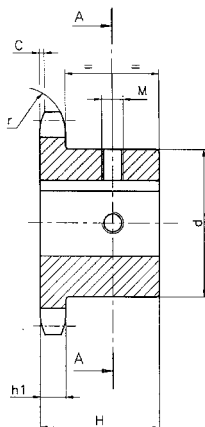


# Speciale Standard Special Standard Sonder-Standardteile Standard Spécial Estándar Especial





# 3/8" x 7/32"

Versione (\*)  
 Type (\*) · Typ (\*) · Tipo (\*)  
**06B-1 9,525 x 5,72 mm**  
 DIN 8187 ISO/R606

**CATENA**

Passo  
 Larghezza interna  
 Rullo ø

**CHAIN**

Pitch  
 Internal width  
 Roller ø

**KETTE**

Teilung  
 Innere Breite  
 Rollen ø

**CHAÎNE**

Pas  
 Largeur interieure  
 ø du rouleau

**CADENA**

Paso  
 Ancho interno  
 Rodillo ø

**ISO mm**  
**9,525**  
**5,72**  
**6,35**

**PIGNONE**

Raggio dente r  
 Larghezza raggio C  
 Largh. Dente h<sub>1</sub>

**SPROCKETS**

Tooth radius r  
 Radius width C  
 Tooth width h<sub>1</sub>

**KETTENRÄDER**

Radius r  
 Breite C  
 Zahnbreite h<sub>1</sub>

**PIGNONS**

Rayon de denture r  
 Largeur de rayon C  
 Larg. de denture h<sub>1</sub>

**PIÑONES**

Radio diente r  
 Ancho radio C  
 Ancho diente h<sub>1</sub>

**r 10**  
**C 1**  
**h<sub>1</sub> 5,3**

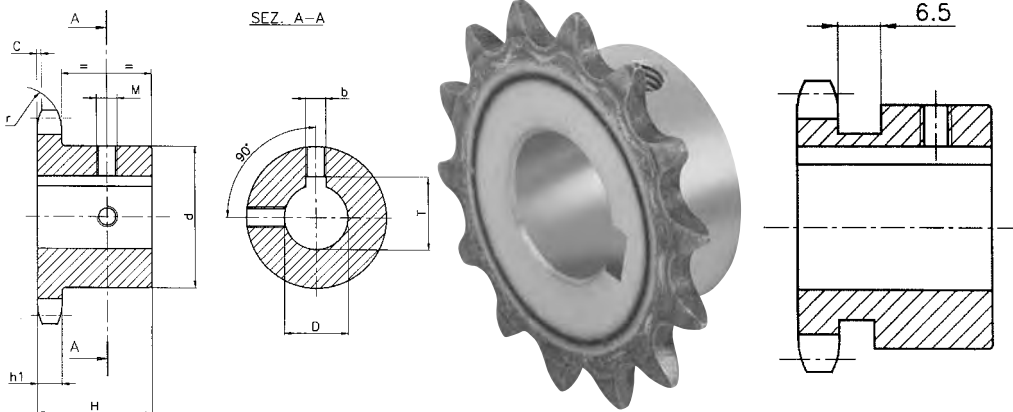
**b-T-M pag./page 19**

**Materiale C 45 E · Material C45 E · Matière C 45 E · Materiel C 45 E - UNI EN 10083-1**

CODICE	Z	D	H	d
05SA010	10	10	22	24
05SA110		11		
05SA210		12		
05SA410		14		
05SA011	11	10	25	24
05SA211		12		
05SA411		14		
05SA511		15		
05SA611	16	31*		
05SA012	12	10	25	25
05SA212		12		
05SA412		14		
05SA512		15		
05SA612	16	31*		
05SA013	13	10	25	28
05SA213		12		
05SA413		14		
05SA513		15		
05SA613	16	31		
05SA813	18	35*		
05SA214	14	12	25	31
05SA414		14		
05SA514		15		
05SA614		16		
05SA814	18	35		
05SA914	19	35		
05SA215	15	12	25	34
05SA415		14		
05SA515		15		
05SA615		16		
05SA815	18	35		
05SA915	19	35		
05SB015	20	36		
05SB215	22	38		
05SB415	24	42*		
05SB515	25	42*		
05SA216	16	12	28	37
05SA416		14		
05SA516		15		
05SA616		16		
05SA816	18	37		
05SA916	19	37		
05SB016	20	37		
05SB216	22	37		

CODICE	Z	D	H	d
05SB416	16	24	28	42
05SB516		25		
05SA217	17	12	28	40
05SA417		14		
05SA517		15		
05SA617		16		
05SA817	18	40		
05SA917	19	40		
05SB017	20	40		
05SB217	22	40		
05SB417	24	40		
05SB517	25	42		
05SA218	18	12	28	43
05SA418		14		
05SA518		15		
05SA618		16		
05SA818	18	43		
05SA918	19	43		
05SB018	20	43		
05SB218	22	43		
05SB418	24	43		
05SB518	25	43		
05SA219	19	12	28	45
05SA419		14		
05SA519		15		
05SA619		16		
05SA819	18	45		
05SA919	19	45		
05SB019	20	45		
05SB219	22	45		
05SB419	24	45		
05SB519	25	45		
05SA220	20	12	28	46
05SA420		14		
05SA520		15		
05SA620		16		
05SA820	18	46		
05SA920	19	46		
05SB020	20	46		
05SB220	22	46		
05SB420	24	46		
05SB520	25	46		
05SA521	21	15	28	48
05SA621		16		

CODICE	Z	D	H	d
05SA821	21	18	28	48
05SA921		19		
05SB021		20		
05SB221		22		
05SB421	24	48		
05SB521	25	48		
05SA522	22	15	28	50
05SA622		16		
05SA822		18		
05SA922		19		
05SB022	20	50		
05SB222	22	50		
05SB422	24	50		
05SB522	25	50		
05SA523	23	15	28	52
05SA623		16		
05SA823		18		
05SA923		19		
05SB023	20	52		
05SB223	22	52		
05SB423	24	52		
05SB523	25	52		
05SA524	24	15	28	54
05SA624		16		
05SA824		18		
05SA924		19		
05SB024	20	54		
05SB224	22	54		
05SB424	24	54		
05SB524	25	54		
05SA625	25	16	28	57
05SA825		18		
05SA925		19		
05SB025		20		
05SB225	22	57		
05SB425	24	57		
05SB525	25	57		
05SB030	30	20	30	60
05SB230		22		
05SB430		24		
05SB530		25		
05SB830	28	60		
05SC030	30	60		



Versione (\*)  
Type (\*) · Typ (\*) · Tipo (\*)

**08B-1 12,7 x 7,75 mm**

DIN 8187 ISO/R606

**1/2" x 5/16"**

**CATENA**

Passo  
Larghezza interna  
Rullo  $\varnothing$

**CHAIN**

Pitch  
Internal width  
Roller  $\varnothing$

**KETTE**

Teilung  
Innere Breite  
Rollen  $\varnothing$

**CHAÎNE**

Pas  
Largeur interieure  
 $\varnothing$  du rouleau

**CADENA**

Paso  
Ancho interno  
Rodillo  $\varnothing$

ISO  
mm  
**12,7**  
**7,8**  
**8,5**

**PIGNONE**

Raggio dente r  
Larghezza raggio C  
Largh. Dente  $h_1$

**SPROCKETS**

Tooth radius r  
Radius width C  
Tooth width  $h_1$

**KETTENRÄDER**

Radius r  
Breite C  
Zahnbreite  $h_1$

**PIGNONS**

Rayon de denture r  
Largeur de rayon C  
Larg. de denture  $h_1$

**PIÑONES**

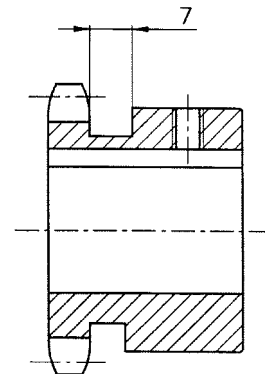
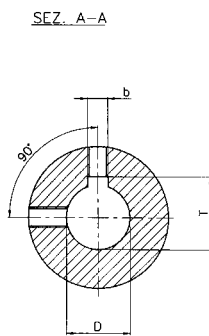
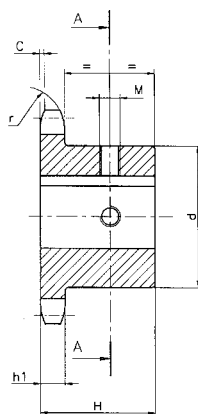
Radio diente r  
Ancho radio C  
Ancho diente  $h_1$

**r 13**  
**C 1,3**  
 **$h_1$  7,2**

**b-T-M pag./page 19**

**Materiale C 45 E · Material C45 E · Matière C 45 E · Materiel C 45 E - UNI EN 10083-1**

CODICE	Z	D	H	d	CODICE	Z	D	H	d	CODICE	Z	D	H	d	CODICE	Z	D	H	d	
09SA210	10	12	25	26	09SA515	15	15	28	45	09SC818	18	38	28	56	09SB822	22	28	28	70	
09SA410		14		29	09SA615		16			09SA819		18			09SC022		30			
09SA510		15		30	09SA815		18			09SA919		19			09SC222		32			
09SA610		16		31	09SA915		19			09SA919		19			09SC522		35			
09SA211	11	12	25	29	09SB015	15	20	47	60	09SB019	19	20	28	60	09SC822	23	38	28	70	
09SA411		14		30	09SB215		22			09SB219		22			09SA923		19			
09SA511		15		30	09SB415		24			09SB419		24			09SB023		20			
09SA611		16		31	09SB515		25			09SB519		25			09SB223		22			
09SA811	18	34	09SB815	28	09SB819	28	09SB423	24												
09SA911	19	35	09SC015	30	09SC019	30	09SB523	25												
09SA212	12	12	28	33	09SC215	16	32	49	50	09SC219	20	32	28	64	09SB823	24	28	28	70	
09SA412		14			35		09SA516			15		09SC519			35		09SC023			30
09SA512		15			36		09SA616			16		09SC819			38		09SC223			32
09SA612		16			38		09SA816			18		09SA620			16		09SC523			35
09SA812	18	35	09SA916	19	09SA820	18	09SC823	38												
09SA912	19	36	09SB016	20	09SA920	19	09SA924	19												
09SB012	20	36	09SB216	22	09SB020	20	09SB024	20												
09SB212	22	38	09SB416	24	09SB220	22	09SB224	22												
09SB412	24	41*	09SB516	25	09SB420	24	09SB424	24												
09SB512	25	42*	09SB816	28	09SB520	25	09SB524	25												
09SA213	13	12	28	37	09SC016	17	30	53	52	09SB820	21	28	28	68	09SB824	25	28	28	70	
09SA413		14			37		09SC216			32		09SC020			30		09SC024			30
09SA513		15			42		09SA517			15		09SC220			32		09SC224			32
09SA613		16			45*		09SA617			16		09SC520			35		09SC524			35
09SA813	18	42	09SA817	18	09SC820	38	09SC824	38												
09SA913	19	45*	09SA917	19	09SA621	16	09SA925	19												
09SB013	20	45*	09SB017	20	09SA821	18	09SB025	20												
09SB213	22	45*	09SB217	22	09SA921	19	09SB225	22												
09SB413	24	45*	09SB417	24	09SB021	20	09SB425	24												
09SB513	25	45*	09SB517	25	09SB221	22	09SB525	25												
09SB813	28	45*	09SB817	28	09SB421	24	09SB825	28												
09SA214	14	12	28	41	09SC017	18	30	56	70	09SB521	22	25	28	70	09SC025	30	30	30	80	
09SA414		14			41		09SC217			32		09SB821			28		09SC225			32
09SA514		15			45		09SA618			16		09SC021			30		09SC525			35
09SA614		16			45		09SA818			18		09SC221			32		09SC825			38
09SA814	18	45	09SA918	19	09SC521	35	09SB530	25												
09SA914	19	45	09SB018	20	09SC821	38	09SB830	28												
09SB014	20	45	09SB218	22	09SA622	16	09SC030	30												
09SB214	22	45	09SB418	24	09SA822	18	09SC230	32												
09SB414	24	45	09SB518	25	09SA922	19	09SC530	35												
09SB514	25	45	09SB818	28	09SB022	20	09SC830	38												
09SB814	28	45	09SC018	30	09SB222	22														
09SA215	15	12	28	45	09SC218	18	32	56	70	09SB422	22	24	28	70		30	30	30	80	
09SA415		14			45		09SC518			35		09SB522			25					



Versione (\*)  
Type (\*) · Typ (\*) · Tipo (\*)

**10B-1 15,875 x 9,65 mm**

DIN 8187 ISO/R606

## 5/8" x 3/8"

### CATENA

Passo  
Larghezza interna  
Rullo  $\varnothing$

### CHAIN

Pitch  
Internal width  
Roller  $\varnothing$

### KETTE

Teilung  
Innere Breite  
Rollen  $\varnothing$

### CHAÎNE

Pas  
Largeur interieure  
 $\varnothing$  du rouleau

### CADENA

Paso  
Ancho interno  
Rodillo  $\varnothing$

ISO  
mm  
**15,875**  
**9,7**  
**10**

### PIGNONE

Raggio dente r  
Larghezza raggio C  
Largh. Dente  $h_1$

### SPROCKETS

Tooth radius r  
Radius width C  
Tooth width  $h_1$

### KETTENRÄDER

Radius r  
Breite C  
Zahnbreite  $h_1$

### PIGNONS

Rayon de denture r  
Largeur de rayon C  
Larg. de denture  $h_1$

### PIÑONES

Radio diente r  
Ancho radio C  
Ancho diente  $h_1$

r **16**  
C **1,6**  
h<sub>1</sub> **9,1**

### b-T-M pag./page 19

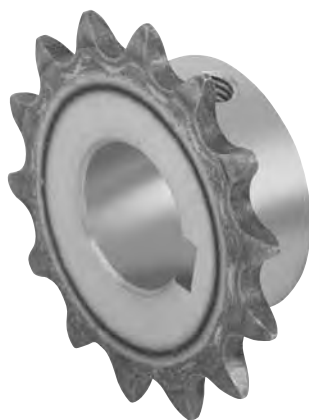
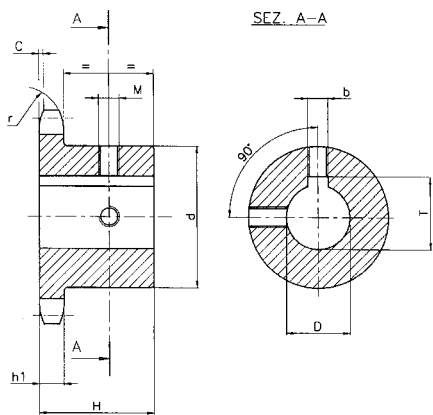
### Materiale C 45 E · Material C45 E · Matière C 45 E · Materiel C 45 E - UNI EN 10083-1

CODICE	Z	D	H	d
10SA510	10	15	25	35
10SA610		16		
10SA910		19		
10SB010		20		
10SB410		24		
10SA511	11	15	30	42*
10SA611		16		
10SA811		18		
10SA911		19		
10SB011		20		
10SB411	24			
10SB511	25			
10SB811	28			
10SA512	12	15	30	42
10SA612		16		
10SA812		18		
10SA912		19		
10SB012		20		
10SB212		22		
10SB412		24		
10SB512		25		
10SB812		28		
10SC012		30		
10SC212	32			
10SA513	13	15	30	47
10SA613		16		
10SA813		18		
10SA913		19		
10SB013		20		
10SB213		22		
10SB413		24		
10SB513		25		
10SB813		28		
10SC013		30		
10SC213	32			
10SA514	14	15	30	52
10SA614		16		
10SA814		18		
10SA914		19		
10SB014		20		
10SB214		22		
10SB414		24		
10SB514		25		

CODICE	Z	D	H	d
10SB814	14	28	30	52
10SC014		30		
10SC214		32		
10SA915		19		
10SB015		20		
10SB215	22			
10SB415	24			
10SB515	25			
10SB815	28			
10SC015	30			
10SC215	32			
10SC515	35			
10SA916	16	19	30	60
10SB016		20		
10SB216		22		
10SB416		24		
10SB516		25		
10SB816		28		
10SC016		30		
10SC216		32		
10SC516		35		
10SC816		38		
10SA917	17	19	30	60
10SB017		20		
10SB217		22		
10SB417		24		
10SB517		25		
10SB817		28		
10SC017		30		
10SC217		32		
10SC517		35		
10SB817		38		
10SA918	18	19	30	70
10SB018		20		
10SB218		22		
10SB418		24		
10SB518		25		
10SB818		28		
10SC018		30		
10SC218		32		
10SC518		35		
10SC818		38		
10SD018	40			

CODICE	Z	D	H	d
10SD218	19	42	30	70
10SA919		19		
10SB019		20		
10SB219		22		
10SB419		24		
10SB519	25			
10SB819	28			
10SC019	30			
10SC219	32			
10SC519	35			
10SC819	38			
10SD019	40			
10SD219	42			
10SA920	20	19	30	75
10SB020		20		
10SB220		22		
10SB420		24		
10SB520		25		
10SB820		28		
10SC020		30		
10SC220		32		
10SC520		35		
10SC820		38		
10SD020	40			
10SD220	42			
10SA921	21	19	30	75
10SB021		20		
10SB221		22		
10SB421		24		
10SB521		25		
10SB821		28		
10SC021		30		
10SC221		32		
10SC521		35		
10SC821		38		
10SD021	40			
10SD221	42			
10SA922	22	19	30	80
10SB022		20		
10SB222		22		
10SB422		24		
10SB522		25		
10SB822		28		

CODICE	Z	D	H	d
10SC022	22	30	30	80
10SC222		32		
10SC522		35		
10SC822		38		
10SD022		40		
10SD222	42			
10SA923	23	19	30	80
10SB023		20		
10SB223		22		
10SB423		24		
10SB523		25		
10SB823		28		
10SC023		30		
10SC223		32		
10SC523		35		
10SC823		38		
10SD023	40			
10SD223	42			
10SA924	24	19	30	80
10SB024		20		
10SB224		22		
10SB424		24		
10SB524		25		
10SB824		28		
10SC024		30		
10SC224		32		
10SC524		35		
10SC824		38		
10SD024	40			
10SD224	42			
10SA925	25	19	30	80
10SB025		20		
10SB225		22		
10SB425		24		
10SB525		25		
10SB825		28		
10SC025		30		
10SC225		32		
10SC525		35		
10SC825		38		
10SD025	40			
10SD225	42			



**12B-1 19,05 x 11,68 mm**

**DIN 8187 ISO/R606**

**3/4" x 7/16"**

**CATENA**

Passo  
Larghezza interna  
Rullo  $\phi$

**CHAIN**

Pitch  
Internal width  
Roller  $\phi$

**KETTE**

Teilung  
Innere Breite  
Rollen  $\phi$

**CHAÎNE**

Pas  
Largeur interieure  
 $\phi$  du rouleau

**CADENA**

Paso  
Ancho interno  
Rodillo  $\phi$

**ISO  
mm**

**19,05**

**11,68**

**12,07**

**PIGNONE**

Raggio dente r  
Larghezza raggio C  
Largh. Dente  $h_1$

**SPROCKETS**

Tooth radius r  
Radius width C  
Tooth width  $h_1$

**KETTENRÄDER**

Radius r  
Breite C  
Zahnbreite  $h_1$

**PIGNONS**

Rayon de denture r  
Largeur de rayon C  
Larg. de denture  $h_1$

**PIÑONES**

Radio diente r  
Ancho radio C  
Ancho diente  $h_1$

**r 19**

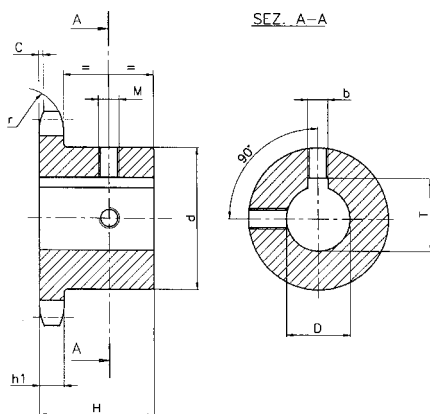
**C 2**

**$h_1$  11,1**

**b-T-M pag./page 19**

**Materiale C 45 E • Material C45 E • Matière C 45 E • Materiel C 45 E - UNI EN 10083-1**

CODICE	Z	D	H	d	CODICE	Z	D	H	d	CODICE	Z	D	H	d	CODICE	Z	D	H	d
11SA910	19				11SC214	32				11SD018	18	40	35	80	11SC822		38		
11SB010	20			42	11SC514	35		64		11SD218	42				11SD022		40		
11SB410	24				11SC814	38	35			11SB519		25			11SD222	22	42	40	90
11SB510	25	30			11SD014	40		67		11SB819		28			11SD522		45		
11SB810	28		45		11SA915	19				11SC019		30			11SD822		48		
11SC010	30		47		11SB015	20				11SC219		32			11SE022		50		
11SC210	32		49		11SB215	22				11SC519		35			11SB523		25		
11SA911	19				11SB415	24				11SC819	19	38	35	80	11SB823		28		
11SB011	20		46		11SB515	25				11SD019		40			11SC023		30		
11SB411	24				11SB815	28	35	70		11SD219		42			11SC223		32		
11SB511	25	35			11SC015	30				11SD519		45			11SC523		35		
11SB811	28		49		11SC215	32				11SD819		48			11SC823	23	38	40	90
11SC011	30		51		11SC515	35				11SE019		50			11SD023		40		
11SC211	32		53		11SC815	38				11SB520		25			11SD223		42		
11SA912	19				11SD015	40				11SB820		28			11SD523		45		
11SB012	20				11SA916	19				11SC020		30			11SD823		48		
11SB212	22				11SB016	20				11SC220		32			11SE023		50		
11SB412	24			52	11SB216	22				11SC520		35			11SB524		25		
11SB512	25	35			11SB416	24				11SC820	20	38	35	80	11SB824		28		
11SB812	28				11SB516	25				11SD020		40			11SC024		30		
11SC012	30				11SB816	28	35	75		11SD220		42			11SC224		32		
11SC212	32		53		11SC016	30				11SD520		45			11SC524		35		
11SC512	35		56		11SC216	32				11SD820		48			11SC824	24	38	40	90
11SA913	19				11SC516	35				11SE020		50			11SD024		40		
11SB013	20				11SC816	38				11SB521		25			11SD224		42		
11SB213	22				11SD016	40				11SB821		28			11SD524		45		
11SB413	24				11SB517	25				11SC021		30			11SD824		48		
11SB513	25	35		58	11SB817	28				11SC221		32			11SE024		50		
11SB813	28				11SC017	30				11SC521		35			11SB525		25		
11SC013	30				11SC217	32				11SC821	21	38	40	90	11SB825		28		
11SC213	32				11SC517	35	35	80		11SD021		40			11SC025		30		
11SC513	35				11SC817	38				11SD221		42			11SC225		32		
11SC813	38				11SD017	40				11SD521		45			11SC525		35		
11SA914	19				11SD217	42				11SD821		48			11SC825	25	38	40	90
11SB014	20				11SB518	25				11SE021		50			11SD025		40		
11SB214	22				11SB818	28				11SB522		25			11SD225		42		
11SB414	24	35		64	11SC018	30	35	80		11SB822		28			11SD525		45		
11SB514	25				11SC218	32				11SC022	22	30	40	90	11SD825		48		
11SB814	28				11SC518	35				11SC222		32			11SE025		50		
11SC014	30				11SC818	38				11SC522		35							



**1" x 17,02 mm**

**16B-1 25,4 x 17,02 mm**

DIN 8187 ISO/R606

**CATENA**

Passo  
Larghezza interna  
Rullo  $\phi$

**CHAIN**

Pitch  
Internal width  
Roller  $\phi$

**KETTE**

Teilung  
Innere Breite  
Rollen  $\phi$

**CHAÎNE**

Pas  
Largeur interieure  
 $\phi$  du rouleau

**CADENA**

Paso  
Ancho interno  
Rodillo  $\phi$

**ISO  
mm  
25,4  
17,02  
15,88**

**PIGNONE**

Raggio dente r  
Larghezza raggio C  
Largh. Dente  $h_1$

**SPROCKETS**

Tooth radius r  
Radius width C  
Tooth width  $h_1$

**KETTENRÄDER**

Radius r  
Breite C  
Zahnbreite  $h_1$

**PIGNONS**

Rayon de denture r  
Largeur de rayon C  
Larg. de denture  $h_1$

**PIÑONES**

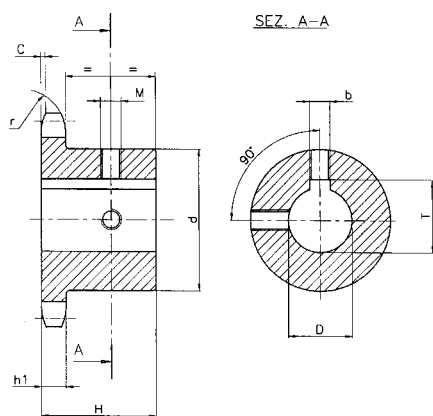
Radio diente r  
Ancho radio C  
Ancho diente  $h_1$

**r 26  
C 2,5  
h<sub>1</sub> 16,2**

**b-T-M pag./page 19**

**Materiale C 45 E • Material C45 E • Matière C 45 E • Matériel C 45 E - UNI EN 10083-1**

CODICE	Z	D	H	d	CODICE	Z	D	H	d	CODICE	Z	D	H	d	CODICE	Z	D	H	d												
12SB511	11	25	40	61	12SC015	15	30	40	92	12SD818	18	48	45	100	12SC822	22	38	50	110												
12SB811		28			12SC215		32			12SE018		50			12SD022		40														
12SC011		30			12SC515		35			12SB519		25			12SD222		42														
12SC211		32			12SC815		38			12SB819		28			12SD522		45														
12SC511		35			12SD015		40			12SC019		30			12SD822		48														
12SC811		38			12SD215		42			12SC219		32			12SE022		50														
12SD011		40			12SD515		45			12SC519		35			12SB523		25														
12SD211		42			12SD815		48			12SC819		38			12SB823		28														
12SB512		12			25		40			69		12SE015			16		25			45	100	12SD019	19	40	45	100	12SC023	23	30	50	110
12SB812					28							12SB516					28					12SD219		42			12SC223		32		
12SC012	30		12SB816	28	12SD519	45		12SC523	35																						
12SC212	32		12SC016	30	12SD819	48		12SC823	38																						
12SC512	35		12SC216	32	12SE019	50		12SD023	40																						
12SC812	38		12SC516	35	12SB520	25		12SD223	42																						
12SD012	40		12SC816	38	12SB820	28		12SD523	45																						
12SD212	42		12SD016	40	12SC020	30		12SD823	48																						
12SB513	13		25	40	78	12SD216		17	42		45	100	12SC220	20		32	45	100	12SE023			24		50			50		110		
12SB813			28			12SD516			45				12SC520			35			12SB524					25							
12SC013		30	12SD816			48	12SC820		38	12SB824			28																		
12SC213		32	12SE016			50	12SD020		40	12SC024			30																		
12SC513		35	12SB517			25	12SD220		42	12SC224			32																		
12SC813		38	12SB817			28	12SD520		45	12SC524			35																		
12SD013		40	12SC017			30	12SD820		48	12SC824			38																		
12SD213		42	12SC217			32	12SE020		50	12SD024			40																		
12SD513		45	12SC517			35	12SB521		25	12SD224			42																		
12SD813		48	12SC817			38	12SB821		28	12SD524			45																		
12SE013	50	12SD017	40	12SC021	30	12SD824	48																								
12SB514	14	25	40	84	12SD217	18	42	45	100	12SC221	21	32	50	110	12SE024	25	50	50	110												
12SB814		28			12SD517		45			12SC521		35			12SB525		25														
12SC014		30			12SD817		48			12SC821		38			12SB825		28														
12SC214		32			12SE017		50			12SD021		40			12SC025		30														
12SC514		35			12SB518		25			12SD221		42			12SC225		32														
12SC814		38			12SB818		28			12SD521		45			12SC525		35														
12SD014		40			12SC018		30			12SD821		48			12SC825		38														
12SD214		42			12SC218		32			12SE021		50			12SD025		40														
12SD514		45			12SC518		35			12SB522		25			12SD225		42														
12SD814		48			12SC818		38			12SB822		28			12SD525		45														
12SE014	50	12SD018	40	12SC022	30	12SD825	48																								
12SB515	15	25	40	92	12SD218	19	42	45	100	12SC222	22	32	50	110	12SE025	26	50	50	110												
12SB815		28			12SD518		45			12SC522		35																			



**1" x 1/4 x 3/4"**

**20B-1 31,75 x 19,56 mm**

DIN 8187 ISO/R606

**CATENA**

Passo  
Larghezza interna  
Rullo ø

**CHAIN**

Pitch  
Internal width  
Roller ø

**KETTE**

Teilung  
Innere Breite  
Rollen ø

**CHAÎNE**

Pas  
Largeur interieure  
ø du rouleau

**CADENA**

Paso  
Ancho interno  
Rodillo ø

ISO  
mm  
**31,75**  
**19,56**  
**19,05**

**PIGNONE**

Raggio dente r  
Larghezza raggio C  
Largh. Dente h<sub>1</sub>

**SPROCKETS**

Tooth radius r  
Radius width C  
Tooth width h<sub>1</sub>

**KETTENRÄDER**

Radius r  
Breite C  
Zahnbreite h<sub>1</sub>

**PIGNONS**

Rayon de denture r  
Largeur de rayon C  
Larg. de denture h<sub>1</sub>

**PIÑONES**

Radio diente r  
Ancho radio C  
Ancho diente h<sub>1</sub>

**r 32**  
**C 3,5**  
**h<sub>1</sub> 18,5**

b-T-M pag./page 19

Materiale C 45 E • Material C45 E • Matière C 45 E • Materiel C 45 E - UNI EN 10083-1

CODICE	Z	D	H	d
13SB509	09	25	40	63
13SC009		30		
13SC209		32		
13SC509		35		
13SC809		38		
13SB510	10	25	40	70
13SC010		30		
13SC210		32		
13SC510		35		
13SC810		38		
13SB511	11	25	45	77
13SB811		28		
13SC011		30		
13SC211		32		
13SC511		35		
13SC811		38		
13SD011		40		
13SD211		42		
13SD511		45		
13SE011		50		
13SF011		60		
13SB512	12	25	45	88
13SB812		28		
13SC012		30		
13SC212		32		
13SC512		35		
13SC812		38		
13SD012		40		
13SD212		42		
13SD512		45		
13SD812		48		
13SE012		50		
13SF012	60			
13SB513	13	25	45	98
13SB813		28		
13SC013		30		

CODICE	Z	D	H	d
13SC213	13	32	45	98
13SC513		35		
13SC813		38		
13SD013		40		
13SD213		42		
13SD513		45		
13SD813		48		
13SE013		50		
13SF013		60		
13SC214		14		
13SC514	35			
13SC814	38			
13SD014	40			
13SD214	42			
13SD514	45			
13SC814	48			
13SE014	50			
13SF014	60			
13SC215	15		32	45
13SC515		35		
13SC815		38		
13SD015		40		
13SD215		42		
13SD515		45		
13SD815		48		
13SE015		50		
13SF015		60		
13SC816		16	38	
13SD016	40			
13SD216	42			
13SD516	45			
13SD816	48			
13SE016	50			
13SF016	60			
13SF516	65			
13SG016	70			

CODICE	Z	D	H	d
13SC817	17	38	50	120
13SD017		40		
13SD217		42		
13SD517		45		
13SD817		48		
13SE017		50		
13SF017		60		
13SF517		65		
13SG017		70		
13SC818		18		
13SD018	40			
13SD218	42			
13SD518	45			
13SD818	48			
13SE018	50			
13SF018	60			
13SF518	65			
13SG018	70			
13SC819	19		38	50
13SD019		40		
13SD219		42		
13SD519		45		
13SD819		48		
13SE019		50		
13SF019		60		
13SF519		65		
13SG019		70		
13SC820		20	38	
13SD020	40			
13SD220	42			
13SD520	45			
13SD820	48			
13SE020	50			
13SF020	60			
13SF520	65			
13SG020	70			

# Pignoni e corone

## Sprockets and plate wheels

### Kettenräder und Kettenradscheiben

#### Pignons et disques

#### Piñones y discos







## Pignoni - Sprockets Kettenräder - Pignons - Piñones

Pignoni per catene semplici, a rulli secondo: DIN 8187 - ISO/R 606

Sprockets for simplex, chain to: DIN 8187 - ISO/R 606

Kettenräder mit einseitiger Nabe für Simplex - Rollenketten nach: DIN 8187 - ISO/R 606

Pignons avec moyeu déporté pour chaînes simples, à rouleaux suivant les normes: DIN 8187 - ISO/R 606

Piñones para cadena simple, de rodillos según las normas: DIN 8187 - ISO/R 606

### 5 x 2,5 mm

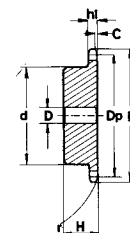
03 - 1

ISO

CATENA:	CHAIN:	KETTE:	CHAÎNE:	CADENA:	mm
Passo	Pitch	Teilung	Pas	Paso	5
Larghezza interna	Internal width	Innere Breite	Largeur interieure	Ancho interno	2,5
Rullo $\varnothing$	Roller $\varnothing$	Rollen $\varnothing$	$\varnothing$ du rouleau	Rodillo $\varnothing$	3,2

ISO

PIGNONE	SPROCKETS	KETTENRÄDER	PIGNONS	PIÑONES	mm
Raggio dente r	Tooth radius r	Radius r	Rayon de denture r	Radio diente r	r 5
Larghezza raggio C	Radius width C	Breite C	Largeur de rayon C	Ancho radio C	C 0,6
Largh. dente $h_1$	Tooth width $h_1$	Zahnbreite $h_1$	Larg. de denture $h_1$	Ancho diente $h_1$	$h_1$ 2,3
Largh. dente L	Tooth width L	Zahnbreite L	Larg. de denture L	Ancho diente L	L -
Largh. dente $h_2$	Tooth width $h_2$	Zahnbreite $h_2$	Larg. de denture $h_2$	Ancho diente $h_2$	$h_2$ -
Largh. dente $h_3$	Tooth width $h_3$	Zahnbreite $h_3$	Larg. de denture $h_3$	Ancho diente $h_3$	$h_3$ -
Altezza totale H	Full height H	Gesamt Höhe H	Hauteur totale H	Altura total H	H -



**Materiale Fe 50 - Material St 50 ± 60 - Matière Fe 50 ± 60 - Materiel Fe 50 ± 60**

Z	D <sub>e</sub>	D <sub>p</sub>	PS			
			cod.	d	D	H
8	15,2	13,06	PS 01008	7	4	10
9	16,8	14,62	PS 01009	8	5	10
10	18,3	16,18	PS 01010	9	5	10
11	19,9	17,75	PS 01011	11	6	10
12	21,5	19,32	PS 01012	12	6	10
13	23,0	20,89	PS 01013	14	6	10
14	24,6	22,47	PS 01014	15	6	10
15	26,2	24,04	PS 01015	16	6	10
16	27,8	25,63	PS 01016	18	8	13
17	29,4	27,20	PS 01017	18	8	13
18	30,9	28,79	PS 01018	18	8	13
19	32,5	30,38	PS 01019	18	8	13
20	34,1	31,96	PS 01020	18	8	13
21	35,7	33,54	PS 01021	20	8	13
22	37,3	35,13	PS 01022	20	8	13
23	38,9	36,72	PS 01023	20	8	13
24	40,5	38,30	PS 01024	20	8	13
25	42,0	39,89	PS 01025	20	8	13
26	43,6	41,48	PS 01026	25	8	15
27	45,2	43,07	PS 01027	25	8	15
28	46,8	44,65	PS 01028	25	8	15
29	48,4	46,25	PS 01029	25	8	15
30	50,0	47,83	PS 01030	25	8	15
31	51,6	49,42	PS 01031	30	8	15
32	53,2	51,01	PS 01032	30	8	15
33	54,8	52,60	PS 01033	30	8	15
34	56,3	54,19	PS 01034	30	8	15
35	57,9	55,78	PS 01035	30	8	15
36	59,5	57,37	PS 01036	30	8	15
37	61,1	58,96	PS 01037	30	8	15
38	62,7	60,54	PS 01038	30	8	15
39	64,3	62,13	PS 01039	30	8	15
40	65,9	63,73	PS 01040	30	8	15

## Pignoni - Sprockets Kettenräder - Pignons - Piñones

Pignoni per catene semplici, a rulli secondo: DIN 8187 - ISO/R 606

Sprockets for simplex chain to: DIN 8187 - ISO/R 606

Kettenräder mit einseitiger Nabe für Simplex-Rollenkette nach: DIN 8187 - ISO/R 606

Pignons avec moyeu déporté pour chaînes simples à rouleaux suivant les normes: DIN 8187 - ISO/R 606

Piñones para cadena simple de rodillos según las normas: DIN 8187 - ISO/R 606

### 6 x 2,8 mm

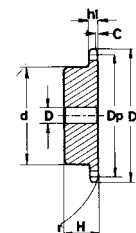
04 - 1

ISO

CATENA:	CHAIN:	KETTE:	CHAÎNE:	CADENA:	mm
Passo	Pitch	Teilung	Pas	Paso	6
Larghezza interna	Internal width	Innere Breite	Largeur interieure	Ancho interno	2,8
Rullo $\phi$	Roller $\phi$	Rollen $\phi$	$\phi$ du rouleau	Rodillo $\phi$	4

ISO

PIGNONE	SPROCKETS	KETTENRÄDER	PIGNONS	PIÑONES	mm
Raggio dente r	Tooth radius r	Radius r	Rayon de denture r	Radio diente r	r 6
Larghezza raggio C	Radius width C	Breite C	Largeur de rayon C	Ancho radio C	C 0,7
Largh. dente $h_1$	Tooth width $h_1$	Zahnbreite $h_1$	Larg. de denture $h_1$	Ancho diente $h_1$	$h_1$ 2,6
Largh. dente L	Tooth width L	Zahnbreite L	Larg. de denture L	Ancho diente L	L -
Largh. dente $h_2$	Tooth width $h_2$	Zahnbreite $h_2$	Larg. de denture $h_2$	Ancho diente $h_2$	$h_2$ -
Largh. dente $h_3$	Tooth width $h_3$	Zahnbreite $h_3$	Larg. de denture $h_3$	Ancho diente $h_3$	$h_3$ -
Altezza totale H	Full height H	Gesamt Höhe H	Hauteur totale H	Altura total H	H -



**Materiale Fe 50 - Material St 50 ± 60 - Matière Fe 50 ± 60 - Materiel Fe 50 ± 60**

Z	D <sub>e</sub>	D <sub>p</sub>	PS			
			cod.	d	D	H
8	18,0	15,67	PS 02008	9,8	5	10
9	19,9	17,54	PS 02009	11,5	5	10
10	21,7	19,42	PS 02010	13	6	10
11	23,6	21,30	PS 02011	14	6	10
12	25,4	23,18	PS 02012	16	6	10
13	27,3	25,05	PS 02013	18	8	10
14	29,2	26,96	PS 02014	20	8	10
15	31,1	28,86	PS 02015	20	8	10
16	33,0	30,76	PS 02016	20	8	13
17	35,0	32,65	PS 02017	20	8	13
18	36,9	34,55	PS 02018	20	8	13
19	38,8	36,44	PS 02019	20	8	13
20	40,7	38,34	PS 02020	20	8	13
21	42,6	40,25	PS 02021	25	8	13
22	44,5	42,16	PS 02022	25	8	13
23	46,4	44,06	PS 02023	25	8	13
24	48,3	45,96	PS 02024	25	8	13
25	50,2	47,87	PS 02025	25	8	13
26	52,1	49,77	PS 02026	30	8	15
27	54,0	51,67	PS 02027	30	8	15
28	55,9	53,58	PS 02028	30	8	15
29	57,8	55,50	PS 02029	30	8	15
30	59,8	57,42	PS 02030	30	8	15
31	61,7	59,31	PS 02031	30	8	15
32	63,6	61,21	PS 02032	30	8	15
33	65,5	63,11	PS 02033	30	8	15
34	67,4	65,02	PS 02034	30	8	15
35	69,3	66,93	PS 02035	30	8	15
36	71,2	68,84	PS 02036	30	8	15
37	73,1	70,75	PS 02037	30	8	15
38	75,0	72,66	PS 02038	30	8	15
39	76,9	74,56	PS 02039	30	8	15
40	78,9	76,47	PS 02040	30	8	15
45	88,5	86,01	PS 02045	40	10	18
50	98,0	95,55	PS 02050	50	12	20
57	111,4	108,93	PS 02057	50	12	20



## Pignoni - Sprockets Kettenräder - Pignons - Piñones

Pignoni per catene semplici, a rulli secondo: DIN 8188 - ISO/R 606 - ANSI B 29,1

Sprockets for simplex chain to: DIN 8188 - ISO/R 606 - ANSI B 29,1

Kettenräder mit einseitiger Nabe für Simplex-Rollenkette nach: DIN 8188 - ISO/R 606 - ANSI B 29,1

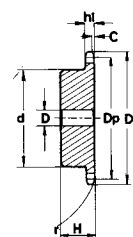
Pignons avec moyeu déporté pour chaînes simples à rouleaux suivant les normes: DIN 8188 - ISO/R 606 - ANSI B 29,1

Piñones para cadena simple de rodillos según las normas: DIN 8188 - ISO/R 606 - ANSI B 29,1

### 1/4" x 1/8"

### ASA 25 - 1 6,32 x 3,18 mm

					ASA 25
CATENA:	CHAIN:	KETTE:	CHAÎNE:	CADENA:	mm
Passo	Pitch	Teilung	Pas	Paso	6,35
Larghezza interna	Internal width	Innere Breite	Largeur interieure	Ancho interno	3,18
Rullo $\varnothing$	Roller $\varnothing$	Rollen $\varnothing$	$\varnothing$ du rouleau	Rodillo $\varnothing$	3,3
					ASA 25
PIGNONE	SPROCKETS	KETTENRÄDER	PIGNONS	PIÑONES	mm
Raggio dente r	Tooth radius r	Radius r	Rayon de denture r	Radio diente r	r 6,4
Larghezza raggio C	Radius width C	Breite C	Largeur de rayon C	Ancho radio C	C 0,7
Largh. dente $h_1$	Tooth width $h_1$	Zahnbreite $h_1$	Larg. de denture $h_1$	Ancho diente $h_1$	$h_1$ 2,9
Largh. dente L	Tooth width L	Zahnbreite L	Larg. de denture L	Ancho diente L	L -
Largh. dente $h_2$	Tooth width $h_2$	Zahnbreite $h_2$	Larg. de denture $h_2$	Ancho diente $h_2$	$h_2$ -
Largh. dente $h_3$	Tooth width $h_3$	Zahnbreite $h_3$	Larg. de denture $h_3$	Ancho diente $h_3$	$h_3$ -
Altezza totale H	Full height H	Gesamt Höhe H	Hauteur totale H	Altura total H	H -



**Materiale Fe 50 - Material St 50 ± 60 - Matière Fe 50 ± 60 - Materiel Fe 50 ± 60**

Z	D <sub>e</sub>	D <sub>p</sub>	PS			
			cod.	d	D	H
8	19,4	16,58	PS 03008	10	6	12
9	21,4	18,56	PS 03009	11,5	6	12
10	23,3	20,55	PS 03010	13	6	12
11	25,3	22,54	PS 03011	15	8	13
12	27,3	24,53	PS 03012	17	8	13
13	29,3	26,53	PS 03013	17	8	13
14	31,3	28,53	PS 03014	17	8	13
15	33,3	30,55	PS 03015	20	8	13
16	35,3	32,55	PS 03016	22	8	14
17	37,3	34,55	PS 03017	22	8	14
18	39,4	36,56	PS 03018	25	8	14
19	41,4	38,58	PS 03019	25	8	14
20	43,4	40,58	PS 03020	25	8	14
21	45,4	42,60	PS 03021	30	8	14
22	47,4	44,62	PS 03022	30	8	14
23	49,4	46,63	PS 03023	30	8	14
24	51,4	48,64	PS 03024	30	8	14
25	53,3	50,66	PS 03025	30	8	14
26	55,5	52,67	PS 03026	30	8	16
27	57,5	54,69	PS 03027	30	8	16
28	59,5	56,71	PS 03028	30	8	16
29	61,5	58,73	PS 03029	30	8	16
30	63,6	60,75	PS 03030	30	8	16
31	65,6	62,76	PS 03031	30	8	16
32	67,6	64,78	PS 03032	30	8	16
33	69,6	66,80	PS 03033	30	8	16
34	71,6	68,82	PS 03034	30	8	16
35	73,6	70,84	PS 03035	30	8	16
36	75,6	72,85	PS 03036	30	8	16
37	77,7	74,87	PS 03037	30	8	16
38	79,7	76,89	PS 03038	30	8	16
39	81,7	78,91	PS 03039	30	8	16
40	83,7	80,93	PS 03040	30	8	16

## Pignoni - Sprockets Kettenräder - Pignons - Piñones

Pignoni per catene semplici e doppie a rulli secondo: DIN 8187 - ISO/R 606

Sprockets for simplex and duplex chain to: DIN 8187 - ISO/R 606

Kettenräder mit einseitiger Nabe für Simplex-Rollenkette Duplex-Rollenkette nach: DIN 8187 - ISO/R 606

Pignons avec moyeu déporté pour chaînes simples et doubles à rouleaux suivant les normes: DIN 8187 - ISO/R 606

Piñones para cadena simple y doble de rodillos según las normas: DIN 8187 - ISO/R 606

### 8 x 3,0 mm

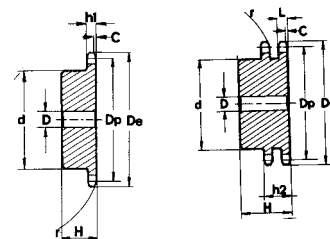
05B - 1-2

ISO

CATENA:	CHAIN:	KETTE:	CHAÎNE:	CADENA:	mm
Passo	Pitch	Teilung	Pas	Paso	8
Larghezza interna	Internal width	Innere Breite	Largeur interieure	Ancho interno	3
Rullo $\varnothing$	Roller $\varnothing$	Rollen $\varnothing$	$\varnothing$ du rouleau	Rodillo $\varnothing$	5



PIGNONE	SPROCKETS	KETTENRÄDER	PIGNONS	PIÑONES	mm
Raggio dente r	Tooth radius r	Radius r	Rayon de denture r	Radio diente r	r 8
Larghezza raggio C	Radius width C	Breite C	Largeur de rayon C	Ancho radio C	C 1
Largh. dente $h_1$	Tooth width $h_1$	Zahnbreite $h_1$	Larg. de denture $h_1$	Ancho diente $h_1$	$h_1$ 2,8
Largh. dente L	Tooth width L	Zahnbreite L	Larg. de denture L	Ancho diente L	L 2,7
Largh. dente $h_2$	Tooth width $h_2$	Zahnbreite $h_2$	Larg. de denture $h_2$	Ancho diente $h_2$	$h_2$ 8,3
Largh. dente $h_3$	Tooth width $h_3$	Zahnbreite $h_3$	Larg. de denture $h_3$	Ancho diente $h_3$	$h_3$ -
Altezza totale H	Full height H	Gesamt Höhe H	Hauteur totale H	Altura total H	H -



Materiale C 45 E • Material C45 E • Matière C 45 E • Matériel C 45 E - UNI EN 10083-1

Z	$D_e$	$D_p$	PS				PD			
			cod.	d	D	H	cod.	d	D	H
8	24,0	20,90	PS 04008	13	6	12	PD 04008	12	8	18
9	26,6	23,39	PS 04009	15	6	12	PD 04009	15	8	18
10	29,2	25,89	PS 04010	17	8	12	PD 04010	17	8	18
11	31,7	28,39	PS 04011	18	8	13	PD 04011	19	10	18
12	34,2	30,91	PS 04012	20	8	13	PD 04012	21	10	18
13	36,7	33,42	PS 04013	23	8	13	PD 04013	24	10	18
14	39,2	35,95	PS 04014	25	8	13	PD 04014	26	10	18
15	41,7	38,48	PS 04015	28	8	13	PD 04015	29	10	18
16	44,3	41,01	PS 04016	30	8	14	PD 04016	32	10	20
17	46,8	43,53	PS 04017	30	8	14	PD 04017	34	10	20
18	49,3	46,07	PS 04018	30	8	14	PD 04018	37	10	20
19	51,9	48,61	PS 04019	30	8	14	PD 04019	39	10	20
20	54,4	51,14	PS 04020	30	8	14	PD 04020	40	10	20
21	57,0	53,67	PS 04021	35	8	14	PD 04021	40	10	20
22	59,5	56,21	PS 04022	35	8	14	PD 04022	40	10	20
23	62,0	58,75	PS 04023	35	8	14	PD 04023	40	10	20
24	64,6	61,29	PS 04024	35	8	14	PD 04024	40	10	20
25	67,5	63,83	PS 04025	35	8	14	PD 04025	40	10	20
26	69,5	66,37	PS 04026	40	10	16	PD 04026	50	12	22
27	72,2	68,91	PS 04027	40	10	16	PD 04027	50	12	22
28	74,8	71,45	PS 04028	40	10	16	PD 04028	50	12	22
29	77,3	73,99	PS 04029	40	10	16	PD 04029	50	12	22
30	79,8	76,53	PS 04030	40	10	16	PD 04030	50	12	22
31	82,4	79,08	PS 04031	40	10	16	PD 04031	60	12	22
32	84,9	81,61	PS 04032	40	10	16	PD 04032	60	12	22
33	87,5	84,16	PS 04033	40	10	16	PD 04033	60	12	22
34	90,0	86,70	PS 04034	40	10	16	PD 04034	60	12	22
35	92,5	89,24	PS 04035	40	10	16	PD 04035	60	12	22
36	95,0	91,79	PS 04036	40	10	16	PD 04036	60	12	22
37	97,6	94,33	PS 04037	40	10	16	PD 04037	60	12	22
38	100,2	96,88	PS 04038	40	10	16	PD 04038	60	12	22
39	102,7	99,42	PS 04039	40	10	16	PD 04039	60	12	22
40	105,2	101,97	PS 04040	40	10	16	PD 04040	60	12	22
45	118,0	114,69	PS 04045	60	12	20				
50	130,7	127,41	PS 04050	60	12	20				
57	148,6	145,22	PS 04057	80	14	20				
76	197,7	193,59	PS 04076	80	20	25				

Disponibilità di pignoni da Z41 a Z125 da verificare su richiesta / Availability of sprockets from Z=41 to Z=125 can be checked on demand / Lagerverfügbarkeit der Kettenräder von Z=41 bis Z=125 zu prüfen / Disponibilit  des pignons Z=41   Z=125   verifier sur demande / Posible disponibilidad de los pi ones de Z=41 a Z=125 a petici n



## Pignoni - Sprockets Kettenräder - Pignons - Piñones

Pignoni per catene semplici, doppie e triple a rulli secondo: DIN 8187 - ISO/R 606

Sprockets for simplex, duplex and triplex chain to: DIN 8187 - ISO/R 606

Kettenräder mit einseitiger Nabe für Simplex- Duplex-Triplex-Rollenkette nach: DIN 8187 - ISO/R 606

Pignons avec moyeu déporté pour chaînes simples, doubles et triples à rouleaux suivant les normes: DIN 8187 - ISO/R 606

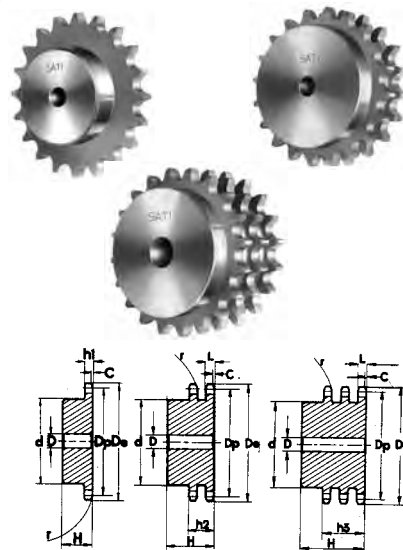
Piñones para cadena simple, doble y triple de rodillos según las normas: DIN 8187 - ISO/R 606

### 3/8" x 7/32"

06B - 1-2-3 9,525 x 5,72 mm

CATENA:	CHAIN:	KETTE:	CHAÎNE:	CADENA:	ISO
Passo	Pitch	Teilung	Pas	Paso	9,525
Larghezza interna	Internal width	Innere Breite	Largeur interieure	Ancho interno	5,72
Rullo $\phi$	Roller $\phi$	Rollen $\phi$	$\phi$ du rouleau	Rodillo $\phi$	6,35

PIGNONE	SPROCKETS	KETTENRÄDER	PIGNONS	PIÑONES	ISO
Raggio dente r	Tooth radius r	Radius r	Rayon de denture r	Radio diente r	r 10
Larghezza raggio C	Radius width C	Breite C	Largeur de rayon C	Ancho radio C	C 1
Largh. dente $h_1$	Tooth width $h_1$	Zahnbreite $h_1$	Larg. de denture $h_1$	Ancho diente $h_1$	$h_1$ 5,3
Largh. dente L	Tooth width L	Zahnbreite L	Larg. de denture L	Ancho diente L	L 5,2
Largh. dente $h_2$	Tooth width $h_2$	Zahnbreite $h_2$	Larg. de denture $h_2$	Ancho diente $h_2$	$h_2$ 15,4
Largh. dente $h_3$	Tooth width $h_3$	Zahnbreite $h_3$	Larg. de denture $h_3$	Ancho diente $h_3$	$h_3$ 25,6
Altezza totale H	Full height H	Gesamt Höhe H	Hauteur totale H	Altura total H	H -



Materiale C 45 E • Material C45 E • Matière C 45 E • Matériel C 45 E - UNI EN 10083-1

Z	$D_e$	$D_p$	PS			PD			PT					
			cod.	d	D	H	cod.	d	D	H	cod.	d	D	H
8	28,0	24,89	PS 05008	15	8	22	PD 05008	15	6	22	PT 05008	15	6	32
9	31,0	27,85	PS 05009	18	8	22	PD 05009	18	8	22	PT 05009	18	8	32
10	34,0	30,82	PS 05010	20	8	22	PD 05010	20	8	22	PT 05010	20	10	32
11	37,0	33,80	PS 05011	22	8	25	PD 05011	22	10	25	PT 05011	22	10	35
12	40,0	36,80	PS 05012	25	8	25	PD 05012	25	10	25	PT 05012	25	10	35
13	43,0	39,80	PS 05013	28	10	25	PD 05013	28	10	25	PT 05013	28	10	35
14	46,3	42,80	PS 05014	31	10	25	PD 05014	31	10	25	PT 05014	31	12	35
15	49,3	45,81	PS 05015	34	10	25	PD 05015	34	10	25	PT 05015	34	12	35
16	52,3	48,82	PS 05016	37	10	28	PD 05016	37	12	30	PT 05016	37	12	35
17	55,3	51,83	PS 05017	40	10	28	PD 05017	40	12	30	PT 05017	40	12	35
18	58,3	54,85	PS 05018	43	10	28	PD 05018	43	12	30	PT 05018	43	12	35
19	61,3	57,87	PS 05019	45	10	28	PD 05019	46	12	30	PT 05019	46	12	35
20	64,3	60,89	PS 05020	46	10	28	PD 05020	49	12	30	PT 05020	49	12	35
21	68,0	63,91	PS 05021	48	12	28	PD 05021	52	12	30	PT 05021	52	14	40
22	71,0	66,93	PS 05022	50	12	28	PD 05022	55	12	30	PT 05022	55	14	40
23	73,5	69,95	PS 05023	52	12	28	PD 05023	58	12	30	PT 05023	58	14	40
24	77,0	72,97	PS 05024	54	12	28	PD 05024	61	12	30	PT 05024	61	14	40
25	80,0	76,00	PS 05025	57	12	28	PD 05025	64	12	30	PT 05025	64	14	40
26	83,0	79,02	PS 05026	60	12	28	PD 05026	67	12	30	PT 05026	67	14	40
27	86,0	82,04	PS 05027	60	12	28	PD 05027	70	12	30	PT 05027	70	14	40
28	89,0	85,07	PS 05028	60	12	28	PD 05028	73	12	30	PT 05028	73	14	40
29	92,0	88,09	PS 05029	60	12	28	PD 05029	76	12	30	PT 05029	76	14	40
30	94,7	91,12	PS 05030	60	12	30	PD 05030	79	12	30	PT 05030	79	14	40
31	98,3	94,15	PS 05031	65	14	30	PD 05031	80	16	30	PT 05031	80	16	40
32	101,3	97,17	PS 05032	65	14	30	PD 05032	80	16	30	PT 05032	80	16	40
33	104,3	100,20	PS 05033	65	14	30	PD 05033	80	16	30	PT 05033	80	16	40
34	107,3	103,23	PS 05034	65	14	30	PD 05034	80	16	30	PT 05034	85	16	40
35	110,4	106,26	PS 05035	65	14	30	PD 05035	80	16	30	PT 05035	85	16	40
36	113,4	109,29	PS 05036	70	16	30	PD 05036	90	16	30	PT 05036	90	16	40
37	116,4	112,32	PS 05037	70	16	30	PD 05037	90	16	30	PT 05037	90	16	40
38	119,5	115,34	PS 05038	70	16	30	PD 05038	90	16	30	PT 05038	90	16	40
39	122,5	118,37	PS 05039	70	16	30	PD 05039	90	16	30	PT 05039	90	16	40
40	125,5	121,40	PS 05040	70	16	30	PD 05040	90	16	30	PT 05040	90	16	40

Disponibilità di pignoni da Z41 a Z125 da verificare su richiesta / Availability of sprockets from Z=41 to Z=125 can be checked on demand / Lagerverfügbarkeit der Kettenräder von Z=41 bis Z=125 zu prüfen / Disponibilit  des pignons Z=41   Z=125   verifier sur demande / Posible disponibilidad de los pi ones de Z=41 a Z=125 a petici n



## Pignoni - Sprockets Kettenräder - Pignons - Piñones

Pignoni per catene semplici, a rulli secondo: DIN 8187 - ISO/R 606

Sprockets for simplex chain to: DIN 8187 - ISO/R 606

Kettenräder mit einseitiger Nabe für Simplex-Rollenkette nach: DIN 8187 - ISO/R 606

Pignons avec moyeu déporté pour chaînes simples à rouleaux suivant les normes: DIN 8187 - ISO/R 606

Piñones para cadena simple de rodillos según las normas: DIN 8187 - ISO/R 606

### 1/2" x 1/8"

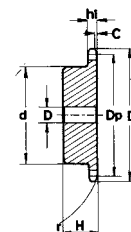
081-1 12,7 x 3,33 mm

ISO

CATENA:	CHAIN:	KETTE:	CHAÎNE:	CADENA:	mm
Passo	Pitch	Teilung	Pas	Paso	12,7
Larghezza interna	Internal width	Innere Breite	Largeur interieure	Ancho interno	3,3
Rullo $\varnothing$	Roller $\varnothing$	Rollen $\varnothing$	$\varnothing$ du rouleau	Rodillo $\varnothing$	7,75

ISO

PIGNONE	SPROCKETS	KETTENRÄDER	PIGNONS	PIÑONES	mm
Raggio dente r	Tooth radius r	Radius r	Rayon de denture r	Radio diente r	r 13
Larghezza raggio C	Radius width C	Breite C	Largeur de rayon C	Ancho radio C	C 1
Largh. dente $h_1$	Tooth width $h_1$	Zahnbreite $h_1$	Larg. de denture $h_1$	Ancho diente $h_1$	$h_1$ 3
Largh. dente L	Tooth width L	Zahnbreite L	Larg. de denture L	Ancho diente L	L -
Largh. dente $h_2$	Tooth width $h_2$	Zahnbreite $h_2$	Larg. de denture $h_2$	Ancho diente $h_2$	$h_2$ -
Largh. dente $h_3$	Tooth width $h_3$	Zahnbreite $h_3$	Larg. de denture $h_3$	Ancho diente $h_3$	$h_3$ -
Altezza totale H	Full height H	Gesamt Höhe H	Hauteur totale H	Altura total H	H -



Materiale C 45 E - Material C45 E - Matière C 45 E - Matériel C 45 E - UNI EN 10083-1

A partire da Z = 31 il disco ruota viene maggiorato, L = 5 mm - From Z = 31 the width of the plate is increased, L = 5 mm - Ab Zähnezahl Z = 31 beträgt die Scheibendicke L = 5 mm - A partir de Z = 31 l'épaisseur du disque est augmenté L = 5 mm - A partir de Z = 31 el disco rueda para cadena queda aumentado, L = 5 mm

Z	D <sub>e</sub>	D <sub>p</sub>	PS			
			cod.	d	D	H
8	37,2	33,18	PS 06008	21	8	14
9	41,5	37,13	PS 06009	25	8	14
10	46,2	41,10	PS 06010	28	8	14
11	49,6	45,07	PS 06011	31	8	16
12	53,9	49,07	PS 06012	35	8	16
13	58,4	53,06	PS 06013	39	8	16
14	62,8	57,07	PS 06014	43	8	16
15	66,8	61,09	PS 06015	47	8	16
16	70,9	65,10	PS 06016	50	10	18
17	74,9	69,11	PS 06017	50	10	18
18	78,9	73,14	PS 06018	50	10	18
19	82,9	77,16	PS 06019	50	10	18
20	86,9	81,19	PS 06020	50	10	18
21	91,0	85,22	PS 06021	60	12	20
22	95,0	89,24	PS 06022	60	12	20
23	99,0	93,27	PS 06023	60	12	20
24	103,0	97,29	PS 06024	60	12	20
25	107,1	101,33	PS 06025	60	12	20
26	111,2	105,36	PS 06026	70	16	20
27	115,4	109,40	PS 06027	70	16	20
28	119,4	113,42	PS 06028	70	16	20
29	123,4	117,46	PS 06029	70	16	20
30	127,5	121,50	PS 06030	70	16	20
31	131,5	125,54	PS 06031	70	16	20
32	135,5	129,56	PS 06032	70	16	20
33	139,6	133,60	PS 06033	70	16	20
34	143,6	137,64	PS 06034	70	16	20
35	147,6	141,68	PS 06035	70	16	20
36	151,7	145,72	PS 06036	70	16	25
37	155,7	149,76	PS 06037	70	16	25
38	159,8	153,80	PS 06038	70	16	25
39	163,8	157,83	PS 06039	70	16	25
40	167,8	161,87	PS 06040	70	16	25



## Pignoni - Sprockets Kettenräder - Pignons - Piñones

Pignoni per catene semplici, a rulli secondo: DIN 8187 - ISO/R 606

Sprockets for simplex chain to: DIN 8187 - ISO/R 606

Kettenräder mit einseitiger Nabe für Simplex-Rollenkette nach: DIN 8187 - ISO/R 606

Pignons avec moyeu déporté pour chaînes simples à rouleaux suivant les normes: DIN 8187 - ISO/R 606

Piñones para cadena simple de rodillos según las normas: DIN 8187 - ISO/R 606

### 1/2" x 3/16"

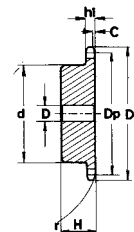
083-1/084-1 12,7 x 4,88 mm

ISO

CATENA:	CHAIN:	KETTE:	CHAÎNE:	CADENA:	mm
Passo	Pitch	Teilung	Pas	Paso	12,7
Larghezza interna	Internal width	Innere Breite	Largeur interieure	Ancho interno	4,88
Rullo $\varnothing$	Roller $\varnothing$	Rollen $\varnothing$	$\varnothing$ du rouleau	Rodillo $\varnothing$	7,75

ISO

PIGNONE	SPROCKETS	KETTENRÄDER	PIGNONS	PIÑONES	mm
Raggio dente r	Tooth radius r	Radius r	Rayon de denture r	Radio diente r	r 13
Larghezza raggio C	Radius width C	Breite C	Largeur de rayon C	Ancho radio C	C 1,3
Largh. dente $h_1$	Tooth width $h_1$	Zahnbreite $h_1$	Larg. de denture $h_1$	Ancho diente $h_1$	$h_1$ 4,5
Largh. dente L	Tooth width L	Zahnbreite L	Larg. de denture L	Ancho diente L	L -
Largh. dente $h_2$	Tooth width $h_2$	Zahnbreite $h_2$	Larg. de denture $h_2$	Ancho diente $h_2$	$h_2$ -
Largh. dente $h_3$	Tooth width $h_3$	Zahnbreite $h_3$	Larg. de denture $h_3$	Ancho diente $h_3$	$h_3$ -
Altezza totale H	Full height H	Gesamt Höhe H	Hauteur totale H	Altura total H	H -



Materiale C 45 E • Material C45 E • Matière C 45 E • Materiel C 45 E - UNI EN 10083-1

Z	D <sub>e</sub>	D <sub>p</sub>	PS			
			cod.	d	D	H
8	38,5	33,18	PS 07008	21	8	14
9	41,5	37,13	PS 07009	25	8	14
10	46,2	41,10	PS 07010	28	8	14
11	49,6	45,07	PS 07011	31	8	16
12	53,9	49,07	PS 07012	35	8	16
13	58,4	53,06	PS 07013	39	8	16
14	62,8	57,07	PS 07014	43	8	16
15	66,8	61,09	PS 07015	47	8	16
16	70,9	65,10	PS 07016	50	10	18
17	74,9	69,11	PS 07017	50	10	18
18	78,9	73,14	PS 07018	50	10	18
19	82,9	77,16	PS 07019	50	10	18
20	86,9	81,19	PS 07020	50	10	18
21	91,0	85,22	PS 07021	60	12	20
22	95,0	89,24	PS 07022	60	12	20
23	99,0	93,27	PS 07023	60	12	20
24	103,0	97,29	PS 07024	60	12	20
25	107,1	101,33	PS 07025	60	12	20
26	111,2	105,36	PS 07026	70	16	20
27	115,4	109,40	PS 07027	70	16	20
28	119,4	113,42	PS 07028	70	16	20
29	123,4	117,46	PS 07029	70	16	20
30	127,5	121,50	PS 07030	70	16	20
31	131,5	125,54	PS 07031	70	16	20
32	135,5	129,56	PS 07032	70	16	20
33	139,6	133,60	PS 07033	70	16	20
34	143,6	137,64	PS 07034	70	16	20
35	147,6	141,68	PS 07035	70	16	20
36	151,7	145,72	PS 07036	70	16	25
37	155,7	149,76	PS 07037	70	16	25
38	159,8	153,80	PS 07038	70	16	25
39	163,8	157,83	PS 07039	70	16	25
40	167,8	161,87	PS 07040	70	16	25

## Pignoni - Sprockets Kettenräder - Pignons - Piñones

Pignoni per catene semplici, a rulli secondo: DIN 8187 - ISO/R 606

Sprockets for simplex chain to: DIN 8187 - ISO/R 606

Kettenräder mit einseitiger Nabe für Simplex-Rollenkette nach: DIN 8187 - ISO/R 606

Pignons avec moyeu déporté pour chaînes simples à rouleaux suivant les normes: DIN 8187 - ISO/R 606

Piñones para cadena simple de rodillos según las normas: DIN 8187 - ISO/R 606

### 1/2" x 1/4"

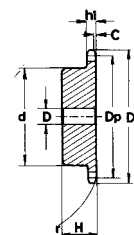
085-1 12,7 x 6,4 x 7,75 mm

ISO

CATENA:	CHAIN:	KETTE:	CHAÎNE:	CADENA:	mm
Passo	Pitch	Teilung	Pas	Paso	12,7
Larghezza interna	Internal width	Innere Breite	Largeur interieure	Ancho interno	6,4
Rullo $\varnothing$	Roller $\varnothing$	Rollen $\varnothing$	$\varnothing$ du rouleau	Rodillo $\varnothing$	7,75

ISO

PIGNONE	SPROCKETS	KETTENRÄDER	PIGNONS	PIÑONES	mm
Raggio dente r	Tooth radius r	Radius r	Rayon de denture r	Radio diente r	r 13
Larghezza raggio C	Radius width C	Breite C	Largeur de rayon C	Ancho radio C	C 1,3
Largh. dente $h_1$	Tooth width $h_1$	Zahnbreite $h_1$	Larg. de denture $h_1$	Ancho diente $h_1$	$h_1$ 5,9
Largh. dente L	Tooth width L	Zahnbreite L	Larg. de denture L	Ancho diente L	L -
Largh. dente $h_2$	Tooth width $h_2$	Zahnbreite $h_2$	Larg. de denture $h_2$	Ancho diente $h_2$	$h_2$ -
Largh. dente $h_3$	Tooth width $h_3$	Zahnbreite $h_3$	Larg. de denture $h_3$	Ancho diente $h_3$	$h_3$ -
Altezza totale H	Full height H	Gesamt Höhe H	Hauteur totale H	Altura total H	H -



Materiale C 45 E • Material C45 E • Matière C 45 E • Matériel C 45 E - UNI EN 10083-1

Z	D <sub>e</sub>	D <sub>p</sub>	PS			
			cod.	d	D	H
8	38,5	33,18	PS 08008	20	10	25
9	41,5	37,13	PS 08009	24	10	25
10	46,2	41,10	PS 08010	26	10	25
11	49,6	45,07	PS 08011	29	10	25
12	53,9	49,07	PS 08012	33	10	28
13	58,4	53,06	PS 08013	37	10	28
14	62,8	57,07	PS 08014	41	10	28
15	66,8	61,09	PS 08015	45	10	28
16	70,9	65,10	PS 08016	50	12	28
17	74,9	69,11	PS 08017	52	12	28
18	78,9	73,14	PS 08018	56	12	28
19	82,9	77,16	PS 08019	60	12	28
20	86,9	81,19	PS 08020	64	12	28
21	91,0	85,22	PS 08021	68	14	28
22	95,0	89,24	PS 08022	70	14	28
23	99,0	93,27	PS 08023	70	14	28
24	103,0	97,29	PS 08024	70	14	28
25	107,1	101,33	PS 08025	70	14	28
26	111,2	105,36	PS 08026	70	16	30
27	115,4	109,40	PS 08027	70	16	30
28	119,4	113,42	PS 08028	70	16	30
29	123,4	117,46	PS 08029	80	16	30
30	127,5	121,50	PS 08030	80	16	30
31	131,5	125,54	PS 08031	90	16	30
32	135,5	129,56	PS 08032	90	16	30
33	139,6	133,60	PS 08033	90	16	30
34	143,6	137,64	PS 08034	90	16	30
35	147,6	141,68	PS 08035	90	16	30
36	151,7	145,72	PS 08036	90	16	35
37	155,7	149,76	PS 08037	90	16	35
38	159,8	153,80	PS 08038	90	16	35
39	163,8	157,83	PS 08039	90	16	35
40	167,8	161,87	PS 08040	90	16	35





## Pignoni - Sprockets Kettenräder - Pignons - Piñones

Pignoni per catene semplici, a rulli secondo: DIN 8187 - ISO/R 606

Sprockets for simplex chain to: DIN 8187 - ISO/R 606

Kettenräder mit einseitiger Nabe für Simplex-Rollenkette nach: DIN 8187 - ISO/R 606

Pignons avec moyeu déporté pour chaînes simples à rouleaux suivant les normes: DIN 8187 - ISO/R 606

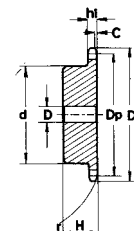
Piñones para cadena simple de rodillos según las normas: DIN 8187 - ISO/R 606

### 1/2" x 1/4"

085-1 12,7 x 6,4 x 8,51 mm

CATENA:	CHAIN:	KETTE:	CHAÎNE:	CADENA:	ISO
Passo	Pitch	Teilung	Pas	Paso	12,7
Larghezza interna	Internal width	Innere Breite	Largeur interieure	Ancho interno	6,4
Rullo $\varnothing$	Roller $\varnothing$	Rollen $\varnothing$	$\varnothing$ du rouleau	Rodillo $\varnothing$	8,51

PIGNONE	SPROCKETS	KETTENRÄDER	PIGNONS	PIÑONES	mm
Raggio dente r	Tooth radius r	Radius r	Rayon de denture r	Radio diente r	r 13
Larghezza raggio C	Radius width C	Breite C	Largeur de rayon C	Ancho radio C	C 1,3
Largh. dente $h_1$	Tooth width $h_1$	Zahnbreite $h_1$	Larg. de denture $h_1$	Ancho diente $h_1$	$h_1$ 5,9
Largh. dente L	Tooth width L	Zahnbreite L	Larg. de denture L	Ancho diente L	L -
Largh. dente $h_2$	Tooth width $h_2$	Zahnbreite $h_2$	Larg. de denture $h_2$	Ancho diente $h_2$	$h_2$ -
Largh. dente $h_3$	Tooth width $h_3$	Zahnbreite $h_3$	Larg. de denture $h_3$	Ancho diente $h_3$	$h_3$ -
Altezza totale H	Full height H	Gesamt Höhe H	Hauteur totale H	Altura total H	H -



Materiale C 45 E • Material C45 E • Matière C 45 E • Materiel C 45 E - UNI EN 10083-1

Z	D <sub>e</sub>	D <sub>p</sub>	PS			
			cod.	d	D	H
8	37,2	33,18	PS 17008	20	10	25
9	41,0	37,13	PS 17009	24	10	25
10	45,2	41,10	PS 17010	26	10	25
11	48,7	45,07	PS 17011	29	10	25
12	53,0	49,07	PS 17012	33	10	28
13	57,4	53,06	PS 17013	37	10	28
14	61,8	57,07	PS 17014	41	10	28
15	65,5	61,09	PS 17015	45	10	28
16	69,5	65,10	PS 17016	50	12	28
17	73,6	69,11	PS 17017	52	12	28
18	77,8	73,14	PS 17018	56	12	28
19	81,7	77,16	PS 17019	60	12	28
20	85,8	81,19	PS 17020	64	12	28
21	89,7	85,22	PS 17021	68	14	28
22	93,8	89,24	PS 17022	70	14	28
23	98,2	93,27	PS 17023	70	14	28
24	101,8	97,29	PS 17024	70	14	28
25	105,8	101,33	PS 17025	70	14	28
26	110,0	105,36	PS 17026	70	16	30
27	114,0	109,40	PS 17027	70	16	30
28	118,0	113,42	PS 17028	70	16	30
29	122,0	117,46	PS 17029	80	16	30
30	126,1	121,50	PS 17030	80	16	30
31	130,2	125,54	PS 17031	90	16	30
32	134,3	129,56	PS 17032	90	16	30
33	138,4	133,60	PS 17033	90	16	30
34	142,6	137,64	PS 17034	90	16	30
35	146,7	141,68	PS 17035	90	16	30
36	151,0	145,72	PS 17036	90	16	35
37	154,6	149,76	PS 17037	90	16	35
38	158,6	153,80	PS 17038	90	16	35
39	162,7	157,83	PS 17039	90	16	35
40	166,8	161,87	PS 17040	90	16	35

## Pignoni - Sprockets Kettenräder - Pignons - Piñones

Pignoni per catene semplici, doppie e triple a rulli secondo: DIN 8187 - ISO/R 606

Sprockets for simplex, duplex and triplex chain to: DIN 8187 - ISO/R 606

Kettenräder mit einseitiger Nabe für Simplex- Duplex-Triplex-Rollenkette nach: DIN 8187 - ISO/R 606

Pignons avec moyeu déporté pour chaînes simples, doubles et triples à rouleaux suivant les normes: DIN 8187 - ISO/R 606

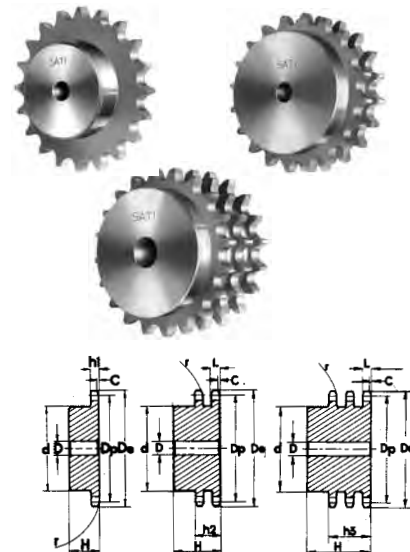
Piñones para cadena simple, doble y triple de rodillos según las normas: DIN 8187 - ISO/R 606

### 1/2" x 5/16"

### 08B - 1-2-3 12,7 x 7,75 mm

CATENA:	CHAIN:	KETTE:	CHAÎNE:	CADENA:	ISO
Passo	Pitch	Teilung	Pas	Paso	12,7
Larghezza interna	Internal width	Innere Breite	Largeur intérieure	Ancho interno	7,75
Rullo $\phi$	Roller $\phi$	Rollen $\phi$	$\phi$ du rouleau	Rodillo $\phi$	8,51

PIGNONE	SPROCKETS	KETTENRÄDER	PIGNONS	PIÑONES	ISO
Raggio dente r	Tooth radius r	Radius r	Rayon de denture r	Radio diente r	r 13
Larghezza raggio C	Radius width C	Breite C	Largeur de rayon C	Ancho radio C	C 1,3
Largh. dente $h_1$	Tooth width $h_1$	Zahnbreite $h_1$	Larg. de denture $h_1$	Ancho diente $h_1$	$h_1$ 7,2
Largh. dente L	Tooth width L	Zahnbreite L	Larg. de denture L	Ancho diente L	L 7
Largh. dente $h_2$	Tooth width $h_2$	Zahnbreite $h_2$	Larg. de denture $h_2$	Ancho diente $h_2$	$h_2$ 21
Largh. dente $h_3$	Tooth width $h_3$	Zahnbreite $h_3$	Larg. de denture $h_3$	Ancho diente $h_3$	$h_3$ 34,9
Altezza totale H	Full height H	Gesamt Höhe H	Hauteur totale H	Altura total H	H -



Materiale C 45 E • Material C45 E • Matière C 45 E • Matériel C 45 E - UNI EN 10083-1

Z	D <sub>e</sub>	D <sub>p</sub>	PS			PD			PT					
			cod.	d	D	H	cod.	d	D	H	cod.	d	D	H
8	37,2	33,18	PS 09008	20	10	25	PD 09008	20	10	32	PT 09008	20	10	46
9	41,0	37,13	PS 05009	24	10	25	PD 09009	24	10	32	PT 09009	24	12	46
10	45,2	41,10	PS 09010	26	10	25	PD 09010	28	10	32	PT 09010	28	12	46
11	48,7	45,07	PS 09011	29	10	25	PD 09011	32	12	35	PT 09011	32	14	50
12	53,0	49,07	PS 09012	33	10	28	PD 09012	35	12	35	PT 09012	35	14	50
13	57,4	53,06	PS 09013	37	10	28	PD 09013	38	12	35	PT 09013	38	14	50
14	61,8	57,07	PS 09014	41	10	28	PD 09014	42	12	35	PT 09014	42	14	50
15	65,5	61,09	PS 09015	45	10	28	PD 09015	46	12	35	PT 09015	46	14	50
16	69,5	65,10	PS 09016	50	12	28	PD 09016	50	14	35	PT 09016	50	16	50
17	73,6	69,11	PS 09017	52	12	28	PD 09017	54	14	35	PT 09017	54	16	50
18	77,8	73,14	PS 09018	56	12	28	PD 09018	58	14	35	PT 09018	58	16	50
19	81,7	77,16	PS 09019	60	12	28	PD 09019	62	14	35	PT 09019	62	16	50
20	85,8	81,19	PS 09020	64	12	28	PD 09020	66	14	35	PT 09020	66	16	50
21	89,7	85,22	PS 09021	68	12	28	PD 09021	70	16	40	PT 09021	70	20	55
22	93,8	89,24	PS 09022	70	12	28	PD 09022	70	16	40	PT 09022	70	20	55
23	98,2	93,27	PS 09023	70	14	28	PD 09023	70	16	40	PT 09023	70	20	55
24	101,8	97,29	PS 09024	70	14	28	PD 09024	75	16	40	PT 09024	75	20	55
25	105,8	101,33	PS 09025	70	14	28	PD 09025	80	16	40	PT 09025	80	20	55
26	110,0	105,36	PS 09026	70	16	30	PD 09026	85	20	40	PT 09026	85	20	55
27	114,0	109,40	PS 09027	70	16	30	PD 09027	85	20	40	PT 09027	85	20	55
28	118,0	113,42	PS 09028	70	16	30	PD 09028	90	20	40	PT 09028	90	20	55
29	122,0	117,46	PS 09029	80	16	30	PD 09029	95	20	40	PT 09029	95	20	55
30	126,1	121,50	PS 09030	80	16	30	PD 09030	100	20	40	PT 09030	100	20	55
31	130,2	125,54	PS 09031	90	16	30	PD 09031	100	20	40	PT 09031	110	20	55
32	134,3	129,56	PS 09032	90	16	30	PD 09032	100	20	40	PT 09032	110	20	55
33	138,4	133,60	PS 09033	90	16	30	PD 09033	100	20	40	PT 09033	110	20	55
34	142,6	137,64	PS 09034	90	16	30	PD 09034	100	20	40	PT 09034	110	20	55
35	146,7	141,68	PS 09035	90	16	30	PD 09035	100	20	40	PT 09035	110	20	55
36	151,0	145,72	PS 09036	90	16	35	PD 09036	110	20	40	PT 09036	120	25	55
37	154,6	149,76	PS 09037	90	16	35	PD 09037	110	20	40	PT 09037	120	25	55
38	158,6	153,80	PS 09038	90	16	35	PD 09038	110	20	40	PT 09038	120	25	55
39	162,7	157,83	PS 09039	90	16	35	PD 09039	110	20	40	PT 09039	120	25	55
40	166,8	161,87	PS 09040	90	16	35	PD 09040	110	20	40	PT 09040	120	25	55

Disponibilità di pignoni da Z41 a Z125 da verificare su richiesta / Availability of sprockets from Z=41 to Z=125 can be checked on demand / Lagerverfügbarkeit der Kettenräder von Z=41 bis Z=125 zu prüfen / Disponibilit  des pignons Z=41   Z=125   verifier sur demande / Posible disponibilidad de los pi ones de Z=41 a Z=125 a petici n



## Pignoni - Sprockets Kettenräder - Pignons - Piñones

Pignoni per catene semplici, doppie e triple a rulli secondo: DIN 8187 - ISO/R 606

Sprockets for simplex, duplex and triplex chain to: DIN 8187 - ISO/R 606

Kettenräder mit einseitiger Nabe für Simplex- Duplex-Triplex-Rollenkette nach: DIN 8187 - ISO/R 606

Pignons avec moyeu déporté pour chaînes simples, doubles et triples à rouleaux suivant les normes: DIN 8187 - ISO/R 606

Piñones para cadena simple, doble y triple de rodillos según las normas: DIN 8187 - ISO/R 606

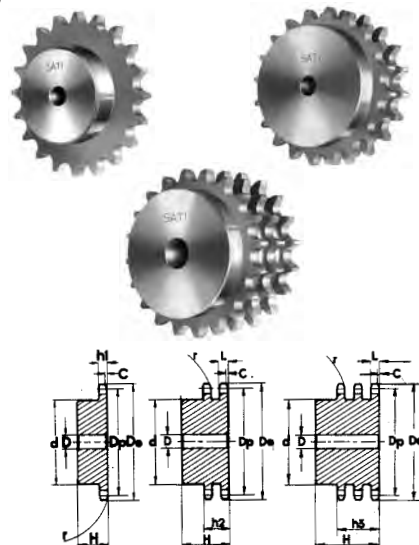
### 5/8" x 3/8"

10B - 1-2-3 15,875 x 9,65 mm

CATENA:	CHAIN:	KETTE:	CHAÎNE:	CADENA:	ISO
Passo	Pitch	Teilung	Pas	Paso	15,875
Larghezza interna	Internal width	Innere Breite	Largeur intérieure	Ancho interno	9,65
Rullo $\varnothing$	Roller $\varnothing$	Rollen $\varnothing$	$\varnothing$ du rouleau	Rodillo $\varnothing$	10,16

PIGNONE	SPROCKETS	KETTENRÄDER	PIGNONS	PIÑONES	ISO
Raggio dente r	Tooth radius r	Radius r	Rayon de denture r	Radio diente r	r 16
Larghezza raggio C	Radius width C	Breite C	Largeur de rayon C	Ancho radio C	C 1,6
Largh. dente $h_1$	Tooth width $h_1$	Zahnbreite $h_1$	Larg. de denture $h_1$	Ancho diente $h_1$	$h_1$ 9,1
Largh. dente L	Tooth width L	Zahnbreite L	Larg. de denture L	Ancho diente L	L 9
Largh. dente $h_2$	Tooth width $h_2$	Zahnbreite $h_2$	Larg. de denture $h_2$	Ancho diente $h_2$	$h_2$ 25,5
Largh. dente $h_3$	Tooth width $h_3$	Zahnbreite $h_3$	Larg. de denture $h_3$	Ancho diente $h_3$	$h_3$ 42,1
Altezza totale H	Full height H	Gesamt Höhe H	Hauteur totale H	Altura total H	H -

Materiale C 45 E • Material C45 E • Matière C 45 E • Matériel C 45 E - UNI EN 10083-1



Z	$D_e$	$D_p$	PS			PD			PT					
			cod.	d	D	H	cod.	d	D	H	cod.	d	D	H
8	47,0	41,48	PS 10008	25	10	25	PD 10008	25	12	40	PT 10008	25	12	55
9	52,6	46,42	PS 10009	30	10	25	PD 10009	30	12	40	PT 10009	30	12	55
10	57,5	51,37	PS 10010	35	10	25	PD 10010	35	12	40	PT 10010	35	16	55
11	63,0	56,34	PS 10011	37	12	30	PD 10011	39	14	40	PT 10011	39	16	55
12	68,0	61,34	PS 10012	42	12	30	PD 10012	44	14	40	PT 10012	44	16	55
13	73,0	66,32	PS 10013	47	12	30	PD 10013	49	14	40	PT 10013	49	16	55
14	78,0	71,34	PS 10014	52	12	30	PD 10014	54	14	40	PT 10014	54	16	55
15	83,0	76,36	PS 10015	57	12	30	PD 10015	59	14	40	PT 10015	59	16	55
16	88,0	81,37	PS 10016	60	12	30	PD 10016	64	16	45	PT 10016	64	16	60
17	93,0	86,39	PS 10017	60	12	30	PD 10017	69	16	45	PT 10017	69	16	60
18	98,3	91,42	PS 10018	70	14	30	PD 10018	74	16	45	PT 10018	74	16	60
19	103,3	96,45	PS 10019	70	14	30	PD 10019	79	16	45	PT 10019	79	16	60
20	108,4	101,49	PS 10020	75	14	30	PD 10020	84	16	45	PT 10020	84	16	60
21	113,4	106,52	PS 10021	75	16	30	PD 10021	85	16	45	PT 10021	85	20	60
22	118,0	111,55	PS 10022	80	16	30	PD 10022	90	16	45	PT 10022	90	20	60
23	123,4	116,58	PS 10023	80	16	30	PD 10023	95	16	45	PT 10023	95	20	60
24	128,3	121,62	PS 10024	80	16	30	PD 10024	100	16	45	PT 10024	100	20	60
25	134,0	126,66	PS 10025	80	16	30	PD 10025	105	16	45	PT 10025	105	20	60
26	139,0	131,70	PS 10026	85	20	35	PD 10026	110	20	45	PT 10026	110	20	60
27	144,0	136,75	PS 10027	85	20	35	PD 10027	110	20	45	PT 10027	110	20	60
28	148,7	141,78	PS 10028	90	20	35	PD 10028	115	20	45	PT 10028	115	20	60
29	153,8	146,83	PS 10029	90	20	35	PD 10029	115	20	45	PT 10029	115	20	60
30	158,8	151,87	PS 10030	90	20	35	PD 10030	120	20	45	PT 10030	120	20	60
31	163,9	156,92	PS 10031	95	20	35	PD 10031	120	20	45	PT 10031	120	20	60
32	168,9	161,95	PS 10032	95	20	35	PD 10032	120	20	45	PT 10032	120	20	60
33	174,5	167,00	PS 10033	95	20	35	PD 10033	120	20	45	PT 10033	120	20	60
34	179,0	172,05	PS 10034	95	20	35	PD 10034	120	20	45	PT 10034	120	20	60
35	184,1	177,10	PS 10035	95	20	35	PD 10035	120	20	45	PT 10035	120	20	60
36	189,1	182,15	PS 10036	100	20	35	PD 10036	120	20	45	PT 10036	120	25	60
37	194,2	187,20	PS 10037	100	20	35	PD 10037	120	20	45	PT 10037	120	25	60
38	199,2	192,24	PS 10038	100	20	35	PD 10038	120	20	45	PT 10038	120	25	60
39	204,2	197,29	PS 10039	100	20	35	PD 10039	120	20	45	PT 10039	120	25	60
40	209,3	202,34	PS 10040	100	20	35	PD 10040	120	20	45	PT 10040	120	25	60

Disponibilità di pignoni da Z41 a Z125 da verificare su richiesta / Availability of sprockets from Z=41 to Z=125 can be checked on demand / Lagerverfügbarkeit der Kettenräder von Z=41 bis Z=125 zu prüfen / Disponibilité des pignons Z=41 à Z=125 à vérifier sur demande / Posible disponibilidad de los piñones de Z=41 a Z=125 a petición

## Pignoni - Sprockets Kettenräder - Pignons - Piñones



Pignoni per catene semplici, doppie e triple a rulli secondo: DIN 8187 - ISO/R 606

Sprockets for simplex, duplex and triplex chain to: DIN 8187 - ISO/R 606

Kettenräder mit einseitiger Nabe für Simplex- Duplex-Triplex-Rollenkette nach: DIN 8187 - ISO/R 606

Pignons avec moyeu déporté pour chaînes simples, doubles et triples à rouleaux suivant les normes: DIN 8187 - ISO/R 606

Piñones para cadena simple, doble y triple de rodillos según las normas: DIN 8187 - ISO/R 606

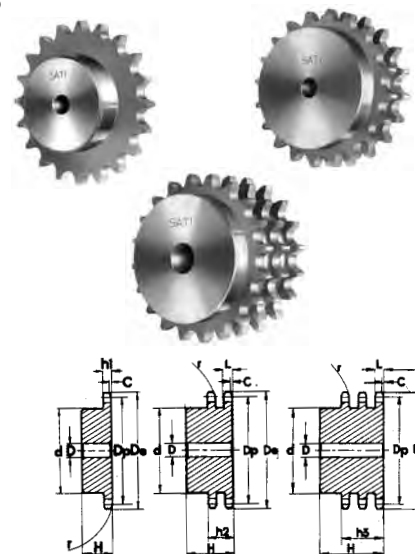
### 3/4" x 7/16"

12B - 1-2-3 19,05 x 11,68 mm

CATENA:	CHAIN:	KETTE:	CHAÎNE:	CADENA:	ISO
Passo	Pitch	Teilung	Pas	Paso	19,05
Larghezza interna	Internal width	Innere Breite	Largeur intérieure	Ancho interno	11,68
Rullo $\phi$	Roller $\phi$	Rollen $\phi$	$\phi$ du rouleau	Rodillo $\phi$	12,07

PIGNONE	SPROCKETS	KETTENRÄDER	PIGNONS	PIÑONES	ISO
Raggio dente r	Tooth radius r	Radius r	Rayon de denture r	Radio diente r	r 19
Larghezza raggio C	Radius width C	Breite C	Largeur de rayon C	Ancho radio C	C 2
Largh. dente $h_1$	Tooth width $h_1$	Zahnbreite $h_1$	Larg. de denture $h_1$	Ancho diente $h_1$	$h_1$ 11,1
Largh. dente L	Tooth width L	Zahnbreite L	Larg. de denture L	Ancho diente L	L 10,8
Largh. dente $h_2$	Tooth width $h_2$	Zahnbreite $h_2$	Larg. de denture $h_2$	Ancho diente $h_2$	$h_2$ 30,3
Largh. dente $h_3$	Tooth width $h_3$	Zahnbreite $h_3$	Larg. de denture $h_3$	Ancho diente $h_3$	$h_3$ 49,8
Altezza totale H	Full height H	Gesamt Höhe H	Hauteur totale H	Altura total H	H -

Materiale C 45 E • Material C45 E • Matière C 45 E • Matériel C 45 E - UNI EN 10083-1



Z	$D_e$	$D_p$	PS			PD				PT				
			cod.	d	D	H	cod.	d	D	H	cod.	d	D	H
8	57,6	49,78	PS 11008	31	12	30	PD 11008	31	12	45	PT 11008	31	16	65
9	62,0	55,70	PS 11009	37	12	30	PD 11009	37	12	45	PT 11009	37	16	65
10	69,0	61,64	PS 11010	42	12	30	PD 11010	42	12	45	PT 11010	42	16	65
11	75,0	67,61	PS 11011	46	14	35	PD 11011	47	16	50	PT 11011	47	20	70
12	81,5	73,60	PS 11012	52	14	35	PD 11012	53	16	50	PT 11012	53	20	70
13	87,5	79,59	PS 11013	58	14	35	PD 11013	59	16	50	PT 11013	59	20	70
14	93,6	85,61	PS 11014	64	14	35	PD 11014	65	16	50	PT 11014	65	20	70
15	99,8	91,63	PS 11015	70	14	35	PD 11015	71	16	50	PT 11015	71	20	70
16	105,5	97,65	PS 11016	75	16	35	PD 11016	77	20	50	PT 11016	77	20	70
17	111,5	103,67	PS 11017	80	16	35	PD 11017	83	20	50	PT 11017	83	20	70
18	118,0	109,71	PS 11018	80	16	35	PD 11018	89	20	50	PT 11018	89	20	70
19	124,2	115,75	PS 11019	80	16	35	PD 11019	95	20	50	PT 11019	95	20	70
20	129,7	121,78	PS 11020	80	16	35	PD 11020	100	20	50	PT 11020	100	20	70
21	136,0	127,82	PS 11021	90	20	40	PD 11021	100	20	50	PT 11021	100	20	70
22	141,8	133,86	PS 11022	90	20	40	PD 11022	100	20	50	PT 11022	100	20	70
23	149,0	139,90	PS 11023	90	20	40	PD 11023	110	20	50	PT 11023	110	20	70
24	153,9	145,94	PS 11024	90	20	40	PD 11024	110	20	50	PT 11024	110	20	70
25	160,0	152,00	PS 11025	90	20	40	PD 11025	120	20	50	PT 11025	120	20	70
26	165,9	158,04	PS 11026	95	20	40	PD 11026	120	20	50	PT 11026	120	20	70
27	172,3	164,09	PS 11027	95	20	40	PD 11027	120	20	50	PT 11027	120	20	70
28	178,0	170,13	PS 11028	95	20	40	PD 11028	120	20	50	PT 11028	120	20	70
29	184,1	176,19	PS 11029	95	20	40	PD 11029	120	20	50	PT 11029	120	20	70
30	190,5	182,25	PS 11030	95	20	40	PD 11030	120	20	50	PT 11030	120	20	70
31	196,3	188,31	PS 11031	100	20	40	PD 11031	130	20	50	PT 11031	130	25	70
32	203,3	194,35	PS 11032	100	20	40	PD 11032	130	20	50	PT 11032	130	25	70
33	209,3	200,40	PS 11033	100	20	40	PD 11033	130	20	50	PT 11033	130	25	70
34	214,6	206,46	PS 11034	100	20	40	PD 11034	130	20	50	PT 11034	130	25	70
35	221,0	212,52	PS 11035	100	20	40	PD 11035	130	20	50	PT 11035	130	25	70
36	226,8	218,58	PS 11036	100	20	40	PD 11036	130	25	50	PT 11036	130	25	70
37	232,9	224,64	PS 11037	100	20	40	PD 11037	130	25	50	PT 11037	130	25	70
38	239,0	230,69	PS 11038	100	20	40	PD 11038	130	25	50	PT 11038	130	25	70
39	245,1	236,75	PS 11039	100	20	40	PD 11039	130	25	50	PT 11039	130	25	70
40	251,3	242,81	PS 11040	100	20	40	PD 11040	130	25	50	PT 11040	130	25	70

Disponibilità di pignoni da Z41 a Z125 da verificare su richiesta / Availability of sprockets from Z=41 to Z=125 can be checked on demand / Lagerverfügbarkeit der Kettenräder von Z=41 bis Z=125 zu prüfen / Disponibilité des pignons Z=41 à Z=125 à vérifier sur demande / Posible disponibilidad de los piñones de Z=41 a Z=125 a petición



## Pignoni - Sprockets Kettenräder - Pignons - Piñones

Pignoni per catene semplici, doppie e triple a rulli secondo: DIN 8187 - ISO/R 606

Sprockets for simplex, duplex and triplex chain to: DIN 8187 - ISO/R 606

Kettenräder mit einseitiger Nabe für Simplex- Duplex-Triplex-Rollenkette nach: DIN 8187 - ISO/R 606

Pignons avec moyeu déporté pour chaînes simples, doubles et triples à rouleaux suivant les normes: DIN 8187 - ISO/R 606

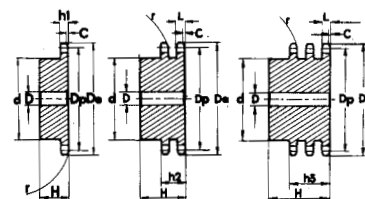
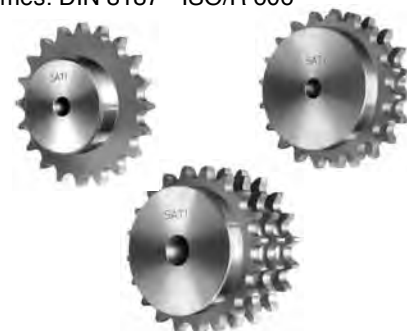
Piñones para cadena simple, doble y triple de rodillos según las normas: DIN 8187 - ISO/R 606

### 1" x 17,02 mm

### 16B - 1-2-3 25,4 x 17,02 mm

CATENA:	CHAIN:	KETTE:	CHAÎNE:	CADENA:	ISO
Passo	Pitch	Teilung	Pas	Paso	25,4
Larghezza interna	Internal width	Innere Breite	Largeur interieure	Ancho interno	17,02
Rullo $\phi$	Roller $\phi$	Rollen $\phi$	$\phi$ du rouleau	Rodillo $\phi$	15,88

PIGNONE	SPROCKETS	KETTENRÄDER	PIGNONS	PIÑONES	ISO
Raggio dente r	Tooth radius r	Radius r	Rayon de denture r	Radio diente r	r 26
Larghezza raggio C	Radius width C	Breite C	Largeur de rayon C	Ancho radio C	C 2,5
Largh. dente $h_1$	Tooth width $h_1$	Zahnbreite $h_1$	Larg. de denture $h_1$	Ancho diente $h_1$	$h_1$ 16,2
Largh. dente L	Tooth width L	Zahnbreite L	Larg. de denture L	Ancho diente L	L 15,8
Largh. dente $h_2$	Tooth width $h_2$	Zahnbreite $h_2$	Larg. de denture $h_2$	Ancho diente $h_2$	$h_2$ 47,7
Largh. dente $h_3$	Tooth width $h_3$	Zahnbreite $h_3$	Larg. de denture $h_3$	Ancho diente $h_3$	$h_3$ 79,6
Altezza totale H	Full height H	Gesamt Höhe H	Hauteur totale H	Altura total H	H -



**Materiale C 45 E · Material C45 E · Matière C 45 E · Materiel C 45 E - UNI EN 10083-1**

\*Tipi costruiti con mozzo saldato - With welded hub - Typen mit eingeschweisster Nabe - Tipos avec moyeu soudé - Tipos con nucleo soldado

\*Materiale Fe 50

Z	$D_e$	$D_p$	PS			PD				PT				
			cod.	d	D	H	cod.	d	D	H	cod.	d	D	H
8	77,0	66,37	PS 12008	42	16	35	PD 12008	42	16	65	PT 12008	42	20	95
9	85,0	74,27	PS 12009	50	16	35	PD 12009	50	16	65	PT 12009	50	20	95
10	93,0	82,19	PS 12010	55	16	35	PD 12010	56	16	65	PT 12010	56	20	95
11	99,5	90,14	PS 12011	61	16	40	PD 12011	64	20	70	PT 12011	64	25	100
12	109,0	98,14	PS 12012	69	16	40	PD 12012	72	20	70	PT 12012	72	25	100
13	117,0	106,12	PS 12013	78	16	40	PD 12013	80	20	70	PT 12013	80	25	100
14	125,0	114,15	PS 12014	84	16	40	PD 12014	88	20	70	PT 12014	88	25	100
15	133,0	122,17	PS 12015	92	16	40	PD 12015	96	20	70	PT 12015	96	25	100
16	141,0	130,20	PS 12016	100	20	45	PD 12016	104	20	70	PT 12016	104	30	100
17	149,0	138,22	PS 12017	100	20	45	PD 12017	112	20	70	PT 12017	112	30	100
18	157,0	146,28	PS 12018	100	20	45	PD 12018	120	20	70	PT 12018	120	30	100
19	165,2	154,33	PS 12019	100	20	45	PD 12019	128	20	70	PT 12019	128	30	100
20	173,2	162,38	PS 12020	100	20	45	PD 12020	130	20	70	PT 12020	130	30	100
21	181,2	170,43	PS 12021	110	20	50	PD 12021	130	25	70	PT 12021	*130	30	100
22	189,3	178,48	PS 12022	110	20	50	PD 12022	*130	25	70	PT 12022	*130	30	100
23	197,5	186,53	PS 12023	110	20	50	PD 12023	*130	25	70	PT 12023	*130	30	100
24	205,5	194,59	PS 12024	110	20	50	PD 12024	*130	25	70	PT 12024	*130	30	100
25	213,5	202,66	PS 12025	110	20	50	PD 12025	*130	25	70	PT 12025	*130	30	100
26	221,6	210,72	PS 12026	120	20	50	PD 12026	*130	25	70	PT 12026	*130	30	100
27	229,6	218,79	PS 12027	120	20	50	PD 12027	*130	25	70	PT 12027	*130	30	100
28	237,7	226,85	PS 12028	120	20	50	PD 12028	*130	25	70	PT 12028	*130	30	100
29	245,8	234,92	PS 12029	120	20	50	PD 12029	*130	25	70	PT 12029	*130	30	100
30	254,0	243,00	PS 12030	120	20	50	PD 12030	*130	25	70	PT 12030	*130	30	100
31	262,0	251,08	PS 12031	*120	25	50	PD 12031	*140	25	70	PT 12031	*140	30	100
32	270,0	259,13	PS 12032	*120	25	50	PD 12032	*140	25	70	PT 12032	*140	30	100
33	278,5	267,21	PS 12033	*120	25	50	PD 12033	*140	25	70	PT 12033	*140	30	100
34	287,0	275,28	PS 12034	*120	25	50	PD 12034	*140	25	70	PT 12034	*140	30	100
35	296,2	283,36	PS 12035	*120	25	50	PD 12035	*140	25	70	PT 12035	*140	30	100
36	304,6	291,44	PS 12036	*120	25	50	PD 12036	*140	25	70	PT 12036	*140	30	100
37	312,6	299,51	PS 12037	*120	25	50	PD 12037	*140	25	70	PT 12037	*140	30	100
38	320,7	307,59	PS 12038	*120	25	50	PD 12038	*140	25	70	PT 12038	*140	30	100
39	328,8	315,67	PS 12039	*120	25	50	PD 12039	*140	25	70	PT 12039	*140	30	100
40	336,9	323,73	PS 12040	*120	25	50	PD 12040	*140	25	70	PT 12040	*140	30	100

Disponibilità di pignoni da Z41 a Z125 da verificare su richiesta / Availability of sprockets from Z=41 to Z=125 can be checked on demand / Lagerverfügbarkeit der Kettenräder von Z=41 bis Z=125 zu prüfen / Disponibilité des pignons Z=41 à Z=125 à vérifier sur demande / Posible disponibilidad de los piñones de Z=41 a Z=125 a petición

## Pignoni - Sprockets Kettenräder - Pignons - Piñones



Pignoni per catene semplici, doppie e triple a rulli secondo: DIN 8187 - ISO/R 606

Sprockets for simplex, duplex and triplex chain to: DIN 8187 - ISO/R 606

Kettenräder mit einseitiger Nabe für Simplex- Duplex-Triplex-Rollenkette nach: DIN 8187 - ISO/R 606

Pignons avec moyeu déporté pour chaînes simples, doubles et triples à rouleaux suivant les normes: DIN 8187 - ISO/R 606

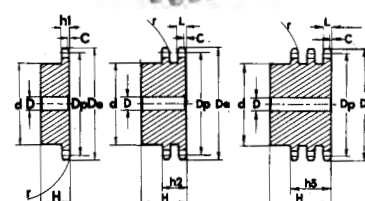
Piñones para cadena simple, doble y triple de rodillos según las normas: DIN 8187 - ISO/R 606

### 1"1/4 x 3/4"

20B - 1-2-3 31,75 x 19,56 mm

CATENA:	CHAIN:	KETTE:	CHAÎNE:	CADENA:	ISO
Passo	Pitch	Teilung	Pas	Paso	31,75
Larghezza interna	Internal width	Innere Breite	Largeur intérieure	Ancho interno	19,56
Rullo $\phi$	Roller $\phi$	Rollen $\phi$	$\phi$ du rouleau	Rodillo $\phi$	19,05

PIGNONE	SPROCKETS	KETTENRÄDER	PIGNONS	PIÑONES	ISO
Raggio dente r	Tooth radius r	Radius r	Rayon de denture r	Radio diente r	r 32
Larghezza raggio C	Radius width C	Breite C	Largeur de rayon C	Ancho radio C	C 3,5
Largh. dente $h_1$	Tooth width $h_1$	Zahnbreite $h_1$	Larg. de denture $h_1$	Ancho diente $h_1$	$h_1$ 18,5
Largh. dente L	Tooth width L	Zahnbreite L	Larg. de denture L	Ancho diente L	L 18,2
Largh. dente $h_2$	Tooth width $h_2$	Zahnbreite $h_2$	Larg. de denture $h_2$	Ancho diente $h_2$	$h_2$ 54,6
Largh. dente $h_3$	Tooth width $h_3$	Zahnbreite $h_3$	Larg. de denture $h_3$	Ancho diente $h_3$	$h_3$ 91
Altezza totale H	Full height H	Gesamt Höhe H	Hauteur totale H	Altura total H	H -



### Materiale C 45 E · Material C45 E · Matière C 45 E · Materiel C 45 E - UNI EN 10083-1

\*Tipi costruiti con mozzo saldato - With welded hub - Typen mit eingeschweisster Nabe - Tipos avec moyeu soudé - Tipos con núcleo soldado

\*Materiale Fe 50

Z	$D_e$	$D_p$	PS			PD				PT				
			cod.	d	D	H	cod.	d	D	H	cod.	d	D	H
8	98,1	82,96	PS 13008	53	20	40	PD 13008	53	20	75	PT 13008	53	20	110
9	108,0	92,84	PS 13009	63	20	40	PD 13009	63	20	75	PT 13009	63	20	110
10	117,9	102,74	PS 13010	70	20	40	PD 13010	70	20	75	PT 13010	70	20	110
11	127,8	112,68	PS 13011	77	20	45	PD 13011	80	20	80	PT 13011	80	20	115
12	137,8	122,68	PS 13012	88	20	45	PD 13012	90	20	80	PT 13012	90	20	115
13	147,8	132,65	PS 13013	98	20	45	PD 13013	100	20	80	PT 13013	100	20	115
14	157,8	142,68	PS 13014	108	20	45	PD 13014	110	20	80	PT 13014	110	20	115
15	167,9	152,72	PS 13015	118	20	45	PD 13015	120	20	80	PT 13015	120	20	115
16	177,9	162,75	PS 13016	120	25	50	PD 13016	120	25	80	PT 13016	120	25	115
17	187,9	172,78	PS 13017	120	25	50	PD 13017	120	25	80	PT 13017	120	25	115
18	198,0	182,85	PS 13018	120	25	50	PD 13018	*120	25	80	PT 13018	*120	25	115
19	208,1	192,91	PS 13019	120	25	50	PD 13019	*120	25	80	PT 13019	*120	25	115
20	218,1	202,98	PS 13020	120	25	50	PD 13020	*120	25	80	PT 13020	*120	25	115
21	228,2	213,04	PS 13021	140	25	55	PD 13021	*140	25	80	PT 13021	*140	25	115
22	238,3	223,11	PS 13022	140	25	55	PD 13022	*140	25	80	PT 13022	*140	25	115
23	248,3	233,17	PS 13023	140	25	55	PD 13023	*140	25	80	PT 13023	*140	25	115
24	258,4	243,23	PS 13024	140	25	55	PD 13024	*140	25	80	PT 13024	*140	25	115
25	268,5	253,33	PS 13025	140	25	55	PD 13025	*140	25	80	PT 13025	*140	25	115
26	278,6	263,40	PS 13026	*150	25	55	PD 13026	*150	25	80	PT 13026	*150	25	115
27	288,6	273,48	PS 13027	*150	25	55	PD 13027	*150	25	80	PT 13027	*150	25	115
28	298,7	283,56	PS 13028	*150	25	55	PD 13028	*150	25	80	PT 13028	*150	25	115
29	308,8	293,65	PS 13029	*150	25	55	PD 13029	*150	25	80	PT 13029	*150	25	115
30	318,9	303,75	PS 13030	*150	25	55	PD 13030	*150	25	80	PT 13030	*150	25	115
31	329,0	313,85	PS 13031	*150	25	55	PD 13031	*150	25	80	PT 13031	*150	30	115
32	339,1	323,91	PS 13032	*150	25	55	PD 13032	*150	25	80	PT 13032	*150	30	115
33	349,2	334,01	PS 13033	*150	25	55	PD 13033	*150	25	80	PT 13033	*150	30	115
34	359,3	334,10	PS 13034	*150	25	55	PD 13034	*150	25	80	PT 13034	*150	30	115
35	369,4	354,20	PS 13035	*150	25	55	PD 13035	*150	25	80	PT 13035	*150	30	115
36	379,5	364,30	PS 13036	*150	25	55	PD 13036	*150	30	80	PT 13036	*150	30	115
37	389,5	374,39	PS 13037	*150	25	55	PD 13037	*150	30	80	PT 13037	*150	30	115
38	399,6	384,49	PS 13038	*150	25	55	PD 13038	*150	30	80	PT 13038	*150	30	115
39	409,7	394,59	PS 13039	*150	25	55	PD 13039	*150	30	80	PT 13039	*150	30	115
40	419,8	404,66	PS 13040	*150	25	55	PD 13040	*150	30	80	PT 13040	*150	30	115

Disponibilità di pignoni da Z41 a Z125 da verificare su richiesta / Availability of sprockets from Z=41 to Z=125 can be checked on demand / Lagerverfügbarkeit der Kettenräder von Z=41 bis Z=125 zu prüfen / Disponibilité des pignons Z=41 à Z=125 à vérifier sur demande / Posible disponibilidad de los piñones de Z=41 a Z=125 a petición



## Pignoni - Sprockets Kettenräder - Pignons - Piñones

Pignoni per catene semplici, doppie e triple a rulli secondo: DIN 8187 - ISO/R 606

Sprockets for simplex, duplex and triplex chain to: DIN 8187 - ISO/R 606

Kettenräder mit einseitiger Nabe für Simplex- Duplex-Triplex-Rollenkette nach: DIN 8187 - ISO/R 606

Pignons avec moyeu déporté pour chaînes simples, doubles et triples à rouleaux suivant les normes: DIN 8187 - ISO/R 606

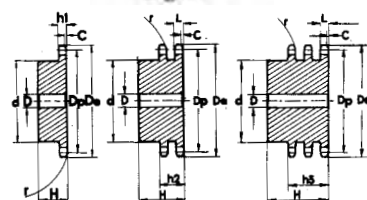
Piñones para cadena simple, doble y triple de rodillos según las normas: DIN 8187 - ISO/R 606

**1"1/2 x 1"**

**24B - 1-2-3 38,1 x 25,4 mm**

CATENA:	CHAIN:	KETTE:	CHAÎNE:	CADENA:	ISO
Passo	Pitch	Teilung	Pas	Paso	<b>38,1</b>
Larghezza interna	Internal width	Innere Breite	Largeur interieure	Ancho interno	<b>25,4</b>
Rullo $\phi$	Roller $\phi$	Rollen $\phi$	$\phi$ du rouleau	Rodillo $\phi$	<b>25,4</b>

PIGNONE	SPROCKETS	KETTENRÄDER	PIGNONS	PIÑONES	ISO
Raggio dente r	Tooth radius r	Radius r	Rayon de denture r	Radio diente r	<b>38</b>
Larghezza raggio C	Radius width C	Breite C	Largeur de rayon C	Ancho radio C	<b>C 4</b>
Largh. dente $h_1$	Tooth width $h_1$	Zahnbreite $h_1$	Larg. de denture $h_1$	Ancho diente $h_1$	<b><math>h_1</math> 24,1</b>
Largh. dente L	Tooth width L	Zahnbreite L	Larg. de denture L	Ancho diente L	<b>L 23,6</b>
Largh. dente $h_2$	Tooth width $h_2$	Zahnbreite $h_2$	Larg. de denture $h_2$	Ancho diente $h_2$	<b><math>h_2</math> 72</b>
Largh. dente $h_3$	Tooth width $h_3$	Zahnbreite $h_3$	Larg. de denture $h_3$	Ancho diente $h_3$	<b><math>h_3</math> 120,3</b>
Altezza totale H	Full height H	Gesamt Höhe H	Hauteur totale H	Altura total H	<b>H -</b>



**Materiale C 45 E · Material C45 E · Matière C 45 E · Materiel C 45 E - UNI EN 10083-1**

\*Tipi costruiti con mozzo saldato - With welded hub - Typen mit eingeschweisster Nabe - Tipos avec moyeu soudé - Tipos con nucleo soldado

\*Materiale Fe 50

Z	D <sub>e</sub>	D <sub>p</sub>	PS			PD			PT					
			cod.	d	D	H	cod.	d	D	H	cod.	d	D	H
8	115,0	99,55	PS 14008	58	20	45	PD 14008	58	25	95	PT 14008	58	25	140
9	126,4	111,40	PS 14009	70	20	45	PD 14009	70	25	95	PT 14009	70	25	140
10	138,0	123,29	PS 14010	80	20	45	PD 14010	80	25	95	PT 14010	80	25	140
11	150,0	135,21	PS 14011	90	25	50	PD 14011	90	25	100	PT 14011	90	25	150
12	162,0	147,22	PS 14012	102	25	50	PD 14012	102	25	100	PT 14012	102	25	150
13	174,2	159,18	PS 14013	114	25	50	PD 14013	114	25	100	PT 14013	114	25	150
14	186,2	171,22	PS 14014	128	25	50	PD 14014	128	25	100	PT 14014	128	25	150
15	198,2	183,26	PS 14015	140	25	50	PD 14015	140	25	100	PT 14015	140	25	150
16	210,3	195,30	PS 14016	*140	25	55	PD 14016	*140	25	100	PT 14016	*140	25	150
17	222,3	207,34	PS 14017	*140	25	55	PD 14017	*150	25	100	PT 14017	*150	25	150
18	234,3	219,42	PS 14018	*140	25	55	PD 14018	*160	25	100	PT 14018	*160	25	150
19	246,5	231,49	PS 14019	*140	25	55	PD 14019	*160	25	100	PT 14019	*160	25	150
20	258,6	243,57	PS 14020	*140	25	55	PD 14020	*160	25	100	PT 14020	*160	25	150
21	270,6	255,65	PS 14021	*150	25	60	PD 14021	*160	25	100	PT 14021	*160	30	150
22	282,7	267,73	PS 14022	*150	25	60	PD 14022	*160	25	100	PT 14022	*160	30	150
23	294,8	279,80	PS 14023	*150	25	60	PD 14023	*160	25	100	PT 14023	*160	30	150
24	306,8	291,88	PS 14024	*150	25	60	PD 14024	*160	25	100	PT 14024	*160	30	150
25	319,0	304,00	PS 14025	*150	25	60	PD 14025	*160	25	100	PT 14025	*160	30	150
26	331,0	316,08	PS 14026	*160	30	60	PD 14026	*160	30	100	PT 14026	*160	30	150
27	343,2	328,19	PS 14027	*160	30	60	PD 14027	*160	30	100	PT 14027	*160	30	150
28	355,2	340,27	PS 14028	*160	30	60	PD 14028	*160	30	100	PT 14028	*160	30	150
29	367,3	352,38	PS 14029	*160	30	60	PD 14029	*160	30	100	PT 14029	*160	30	150
30	379,5	364,50	PS 14030	*160	30	60	PD 14030	*160	30	100	PT 14030	*160	30	150
31	391,6	376,62	PS 14031	*160	30	60	PD 14031	*170	30	100	PT 14031	*170	40	150
32	403,7	388,69	PS 14032	*160	30	60	PD 14032	*170	30	100	PT 14032	*170	40	150
33	415,8	400,81	PS 14033	*160	30	60	PD 14033	*170	30	100	PT 14033	*170	40	150
34	427,8	412,93	PS 14034	*160	30	60	PD 14034	*170	30	100	PT 14034	*170	40	150
35	440,0	425,04	PS 14035	*160	30	60	PD 14035	*170	30	100	PT 14035	*170	40	150
36	452,0	437,16	PS 14036	*160	30	60	PD 14036	*170	30	100	PT 14036	*170	40	150
37	464,2	449,27	PS 14037	*160	30	60	PD 14037	*170	30	100	PT 14037	*170	40	150
38	476,2	461,39	PS 14038	*160	30	60	PD 14038	*170	30	100	PT 14038	*170	40	150
39	488,5	473,50	PS 14039	*160	30	60	PD 14039	*170	30	100	PT 14039	*170	40	150
40	500,6	485,62	PS 14040	*160	30	60	PD 14040	*170	30	100	PT 14040	*170	40	150

Disponibilità di pignoni da Z41 a Z125 da verificare su richiesta / Availability of sprockets from Z=41 to Z=125 can be checked on demand / Lagerverfügbarkeit der Kettenräder von Z=41 bis Z=125 zu prüfen / Disponibilité des pignons Z=41 à Z=125 à vérifier sur demande / Posible disponibilidad de los piñones de Z=41 a Z=125 a petición

## Pignoni - Sprockets Kettenräder - Pignons - Piñones



Pignoni per catene semplici, doppie e triple a rulli secondo: DIN 8187 - ISO/R 606

Sprockets for simplex, duplex and triplex chain to: DIN 8187 - ISO/R 606

Kettenräder mit einseitiger Nabe für Simplex- Duplex-Triplex-Rollenkette nach: DIN 8187 - ISO/R 606

Pignons avec moyeu déporté pour chaînes simples, doubles et triples à rouleaux suivant les normes: DIN 8187 - ISO/R 606

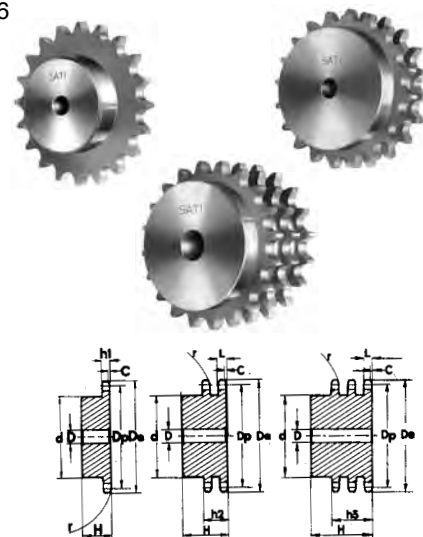
Piñones para cadena simple, doble y triple de rodillos según las normas: DIN 8187 - ISO/R 606

### 1"3/4 x 1"1/4

28B - 1-2-3 44,45 x 30,99 mm

CATENA:	CHAIN:	KETTE:	CHAÎNE:	CADENA:	ISO
Passo	Pitch	Teilung	Pas	Paso	44,45
Larghezza interna	Internal width	Innere Breite	Largeur interieure	Ancho interno	30,99
Rullo $\phi$	Roller $\phi$	Rollen $\phi$	$\phi$ du rouleau	Rodillo $\phi$	27,94

PIGNONE	SPROCKETS	KETTENRÄDER	PIGNONS	PIÑONES	ISO
Raggio dente r	Tooth radius r	Radius r	Rayon de denture r	Radio diente r	r 44
Larghezza raggio C	Radius width C	Breite C	Largeur de rayon C	Ancho radio C	C 5
Largh. dente $h_1$	Tooth width $h_1$	Zahnbreite $h_1$	Larg. de denture $h_1$	Ancho diente $h_1$	$h_1$ 29,4
Largh. dente L	Tooth width L	Zahnbreite L	Larg. de denture L	Ancho diente L	L 28,8
Largh. dente $h_2$	Tooth width $h_2$	Zahnbreite $h_2$	Larg. de denture $h_2$	Ancho diente $h_2$	$h_2$ 88,4
Largh. dente $h_3$	Tooth width $h_3$	Zahnbreite $h_3$	Larg. de denture $h_3$	Ancho diente $h_3$	$h_3$ 148
Altezza totale H	Full height H	Gesamt Höhe H	Hauteur totale H	Altura total H	H -



**Materiale C 45 E · Material C45 E · Matière C 45 E · Materiel C 45 E - UNI EN 10083-1**

\*Tipi costruiti con mozzo saldato - With welded hub - Typen mit eingeschweisster Nabe - Tipos avec moyeu soudé - Tipos con nucleo soldado

\*Materiale Fe 50

Z	$D_e$	$D_p$	PS			PD			PT					
			cod.	d	D	H	cod.	d	D	H	cod.	d	D	H
8	132,0	116,15	PS 15008	74	25	70	PD 15008	74	25	120	PT 15008	74	30	180
9	148,4	129,96	PS 15009	88	25	70	PD 15009	88	25	120	PT 15009	88	30	180
10	162,3	143,85	PS 15010	100	25	70	PD 15010	100	25	120	PT 15010	100	30	180
11	176,3	157,77	PS 15011	112	25	70	PD 15011	112	25	120	PT 15011	112	30	180
12	189,3	171,74	PS 15012	125	25	70	PD 15012	125	25	120	PT 15012	125	30	180
13	204,2	185,75	PS 15013	*130	25	70	PD 15013	*130	25	120	PT 15013	*130	30	180
14	218,2	199,76	PS 15014	*130	25	70	PD 15014	*130	25	120	PT 15014	*130	30	180
15	232,3	213,79	PS 15015	*145	25	70	PD 15015	*145	30	120	PT 15015	*145	30	180
16	246,3	227,84	PS 15016	*160	30	75	PD 15016	*160	30	120	PT 15016	*160	30	180
17	260,0	241,90	PS 15017	*160	30	75	PD 15017	*160	30	120	PT 15017	*160	30	180
18	274,0	255,98	PS 15018	*160	30	75	PD 15018	*160	30	120	PT 15018	*160	30	180
19	289,0	270,06	PS 15019	*160	30	75	PD 15019	*180	30	120	PT 15019	*180	30	180
20	303,0	284,15	PS 15020	*160	30	75	PD 15020	*180	30	120	PT 15020	*180	30	180
21	317,0	298,24	PS 15021	*170	30	75	PD 15021	*180	30	120	PT 15021	*180	30	180
22	331,0	312,34	PS 15022	*170	30	75	PD 15022	*180	30	120	PT 15022	*180	30	180
23	345,0	326,44	PS 15023	*170	30	75	PD 15023	*180	30	120	PT 15023	*180	30	180
24	359,0	340,55	PS 15024	*170	30	75	PD 15024	*180	30	120	PT 15024	*180	30	180
25	373,0	354,66	PS 15025	*170	30	75	PD 15025	*180	30	120	PT 15025	*180	40	180
26	387,0	368,77	PS 15026	*170	30	75	PD 15026	*180	30	120	PT 15026	*180	40	180
27	401,0	382,88	PS 15027	*170	30	75	PD 15027	*180	30	120	PT 15027	*180	40	180
28	416,0	397,00	PS 15028	*170	30	75	PD 15028	*180	30	120	PT 15028	*180	40	180
29	430,0	411,12	PS 15029	*170	30	75	PD 15029	*180	30	120	PT 15029	*180	40	180
30	444,0	425,24	PS 15030	*170	30	75	PD 15030	*180	30	120	PT 15030	*180	40	180
31	458,0	439,37	PS 15031	*180	30	75	PD 15031	*200	30	120	PT 15031	*200	40	180
32	472,0	453,49	PS 15032	*180	30	75	PD 15032	*200	30	120	PT 15032	*200	40	180
33	486,0	467,62	PS 15033	*180	30	75	PD 15033	*200	30	120	PT 15033	*200	40	180
34	500,0	481,75	PS 15034	*180	30	75	PD 15034	*200	30	120	PT 15034	*200	40	180
35	514,0	495,88	PS 15035	*180	30	75	PD 15035	*200	30	120	PT 15035	*200	40	180
36	529,0	510,01	PS 15036	*180	30	75	PD 15036	*200	30	120	PT 15036	*200	40	180
37	543,0	524,13	PS 15037	*180	30	75	PD 15037	*200	30	120	PT 15037	*200	40	180
38	557,0	538,27	PS 15038	*180	30	75	PD 15038	*200	30	120	PT 15038	*200	40	180
39	571,0	552,40	PS 15039	*180	30	75	PD 15039	*200	30	120	PT 15039	*200	40	180
40	585,0	566,54	PS 15040	*180	30	75	PD 15040	*200	30	120	PT 15040	*200	40	180





## Pignoni - Sprockets Kettenräder - Pignons - Piñones

Pignoni per catene semplici, doppie e triple a rulli secondo: DIN 8187 - ISO/R 606

Sprockets for simplex, duplex and triplex chain to: DIN 8187 - ISO/R 606

Kettenräder mit einseitiger Nabe für Simplex- Duplex-Triplex-Rollenkette nach: DIN 8187 - ISO/R 606

Pignons avec moyeu déporté pour chaînes simples, doubles et triples à rouleaux suivant les normes: DIN 8187 - ISO/R 606

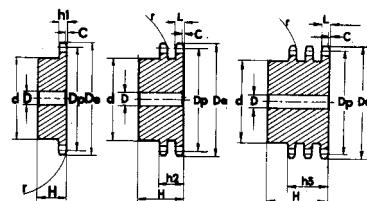
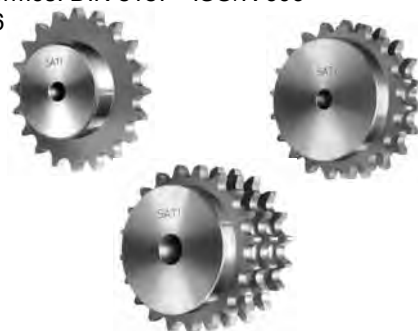
Piñones para cadena simple, doble y triple de rodillos según las normas: DIN 8187 - ISO/R 606

**2" x 1"1/4**

**32B - 1-2-3 50,8 x 30,99 mm**

CATENA:	CHAIN:	KETTE:	CHAÎNE:	CADENA:	ISO
Passo	Pitch	Teilung	Pas	Paso	50,8
Larghezza interna	Internal width	Innere Breite	Largeur interieure	Ancho interno	30,99
Rullo $\phi$	Roller $\phi$	Rollen $\phi$	$\phi$ du rouleau	Rodillo $\phi$	29,21

PIGNONE	SPROCKETS	KETTENRÄDER	PIGNONS	PIÑONES	ISO
Raggio dente r	Tooth radius r	Radius r	Rayon de denture r	Radio diente r	r 51
Larghezza raggio C	Radius width C	Breite C	Largeur de rayon C	Ancho radio C	C 6
Largh. dente $h_1$	Tooth width $h_1$	Zahnbreite $h_1$	Larg. de denture $h_1$	Ancho diente $h_1$	$h_1$ 29,4
Largh. dente L	Tooth width L	Zahnbreite L	Larg. de denture L	Ancho diente L	L 28,8
Largh. dente $h_2$	Tooth width $h_2$	Zahnbreite $h_2$	Larg. de denture $h_2$	Ancho diente $h_2$	$h_2$ 87,4
Largh. dente $h_3$	Tooth width $h_3$	Zahnbreite $h_3$	Larg. de denture $h_3$	Ancho diente $h_3$	$h_3$ 146
Altezza totale H	Full height H	Gesamt Höhe H	Hauteur totale H	Altura total H	H -



### Materiale C 45 E · Material C45 E · Matière C 45 E · Materiel C 45 E - UNI EN 10083-1

\*Tipi costruiti con mozzo saldato - With welded hub - Typen mit eingeschweisster Nabe - Tipos avec moyeu soudé - Tipos con nucleo soldado

\*Materiale Fe 50

Z	D <sub>e</sub>	D <sub>p</sub>	PS			PD			PT					
			cod.	d	D	H	cod.	d	D	H	cod.	d	D	H
8	153,2	132,74	PS 16008	82	25	80	PD 16008	82	30	120	PT 16008	82	30	180
9	169,0	148,54	PS 16009	88	25	80	PD 16009	88	30	120	PT 16009	88	30	180
10	185,0	164,39	PS 16010	104	25	80	PD 16010	104	30	120	PT 16010	104	30	180
11	200,8	180,31	PS 16011	120	30	80	PD 16011	120	30	120	PT 16011	120	30	180
12	216,8	196,29	PS 16012	*133	30	80	PD 16012	*133	30	120	PT 16012	*133	30	180
13	232,8	212,29	PS 16013	*145	30	80	PD 16013	*145	30	120	PT 16013	*145	30	180
14	248,8	228,29	PS 16014	*160	30	80	PD 16014	*160	30	120	PT 16014	*160	30	180
15	264,8	244,30	PS 16015	*160	30	80	PD 16015	*160	30	120	PT 16015	*160	30	180
16	280,9	260,40	PS 16016	*160	30	90	PD 16016	*160	30	120	PT 16016	*160	30	180
17	296,9	276,46	PS 16017	*170	30	90	PD 16017	*180	30	120	PT 16017	*180	30	180
18	313,0	292,55	PS 16018	*170	30	90	PD 16018	*180	30	120	PT 16018	*180	30	180
19	329,1	308,66	PS 16019	*170	30	90	PD 16019	*200	30	120	PT 16019	*200	30	180
20	345,2	324,71	PS 16020	*180	30	90	PD 16020	*200	30	120	PT 16020	*200	30	180
21	361,3	340,82	PS 16021	*180	30	90	PD 16021	*200	30	120	PT 16021	*200	40	180
22	377,5	356,98	PS 16022	*180	30	90	PD 16022	*200	30	120	PT 16022	*200	40	180
23	393,6	373,08	PS 16023	*180	30	90	PD 16023	*200	30	120	PT 16023	*200	40	180
24	409,7	389,18	PS 16024	*180	30	90	PD 16024	*200	30	120	PT 16024	*200	40	180
25	425,8	405,33	PS 16025	*180	30	90	PD 16025	*200	30	120	PT 16025	*200	40	180
26	441,9	421,44	PS 16026	*180	30	90	PD 16026	*200	30	120	PT 16026	*200	40	180
27	458,1	437,59	PS 16027	*180	30	90	PD 16027	*200	30	120	PT 16027	*200	40	180
28	474,2	453,69	PS 16028	*180	30	90	PD 16028	*200	30	120	PT 16028	*200	40	180
29	492,0	469,85	PS 16029	*180	30	90								
30	506,5	486,00	PS 16030	*180	30	90	PD 16030	*200	30	120	PT 16030	*200	40	180
32	538,8	518,27	PS 16032	*180	30	90								
35	589,5	566,71	PS 16035	*180	30	90								
38	635,5	615,16	PS 16038	*180	30	90								
40	670,3	647,47	PS 16040	*180	30	90								



## Pignoni semplici temperati ad induzione sui denti (45 ÷ 55 HRC)

## Simplex sprockets with hardened teeth (45 ÷ 55 HRC)

## Gehärtete einfach Kettenräder (45 ÷ 55 HRC)

## Pignons simples avec denture trempee haute frequence (45 ÷ 55 HRC)

## Piñones simples templados por inducción en los dientes (45 ÷ 55 HRC)

### 3/8" x 7/32" - 06 B1

Z	D <sub>e</sub>	D <sub>p</sub>	PS			
			cod.	d	D	H
13	43,0	39,80	PS 05T13	28	10	25
14	46,3	42,80	PS 05T14	31	10	25
15	49,3	45,81	PS 05T15	34	10	25
16	52,3	48,82	PS 05T16	37	10	28
17	55,3	51,83	PS 05T17	40	10	28
18	58,3	54,85	PS 05T18	43	10	28
19	61,3	57,87	PS 05T19	45	10	28
20	64,3	60,89	PS 05T20	46	10	28
21	68,0	63,91	PS 05T21	48	12	28
22	71,0	66,93	PS 05T22	50	12	28
23	73,5	69,95	PS 05T23	52	12	28
24	77,0	72,97	PS 05T24	54	12	28
25	80,0	76,00	PS 05T25	57	12	28
30	94,7	91,12	PS 05T30	60	12	28

Pignoni per catene semplici, a rulli DIN 8187 - ISO/R 606

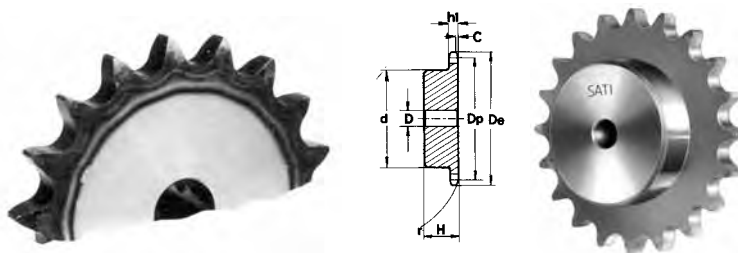
Sprockets for simplex, chain to DIN 8187 - ISO/R 606

Kettenräder mit einseitiger Nabe für Simplex-Rollenkette nach: DIN 8187 - ISO/R 606

Pignons avec moyeu déporté pour chaînes simples, à rouleaux suivant les normes: DIN 8187 - ISO/R 606

Piñones para cadena, de rodillos según las normas: DIN 8187 - ISO/R 606

**Materiale C 45 E • Material C45 E • Matière C 45 E • Matériel C 45 E  
UNI EN 10083-1**



### 1/2" x 5/16" - 08 B1

Z	D <sub>e</sub>	D <sub>p</sub>	PS			
			cod.	d	D	H
12	53,0	49,07	PS 09T12	33	10	28
13	57,4	53,06	PS 09T13	37	10	28
14	61,8	57,07	PS 09T14	41	10	28
15	65,5	61,09	PS 09T15	45	10	28
16	69,5	65,10	PS 09T16	50	12	28
17	73,6	69,11	PS 09T17	52	12	28
18	77,8	73,14	PS 09T18	56	12	28
19	81,7	77,16	PS 09T19	60	12	28
20	85,8	81,19	PS 09T20	64	12	28
21	89,7	85,22	PS 09T21	68	14	28
22	93,8	89,24	PS 09T22	70	14	28
23	98,2	93,27	PS 09T23	70	14	28
24	101,8	97,29	PS 09T24	70	14	28
25	105,8	101,33	PS 09T25	70	14	28
30	126,1	121,50	PS 09T30	80	16	30

### 3/4" x 7/16" - 12 B1

Z	D <sub>e</sub>	D <sub>p</sub>	PS			
			cod.	d	D	H
12	81,5	73,60	PS 11T12	52	14	35
13	87,5	79,59	PS 11T13	58	14	35
14	93,6	85,61	PS 11T14	64	14	35
15	99,8	91,63	PS 11T15	70	14	35
16	105,5	97,65	PS 11T16	75	16	35
17	111,5	103,67	PS 11T17	80	16	35
18	118,0	109,71	PS 11T18	80	16	35
19	124,2	115,75	PS 11T19	80	16	35
20	129,7	121,78	PS 11T20	80	16	35
21	136,0	127,82	PS 11T21	90	20	40
22	141,8	133,86	PS 11T22	90	20	40
23	149,0	139,90	PS 11T23	90	20	40
24	153,9	145,94	PS 11T24	90	20	40
25	160,0	152,00	PS 11T25	90	20	40
30	190,5	182,25	PS 11T30	95	20	40

### 5/8" x 3/8" - 10 B1

Z	D <sub>e</sub>	D <sub>p</sub>	PS			
			cod.	d	D	H
12	68,0	61,34	PS 10T12	42	12	30
13	73,0	66,32	PS 10T13	47	12	30
14	78,0	71,34	PS 10T14	52	12	30
15	83,0	76,36	PS 10T15	57	12	30
16	88,0	81,37	PS 10T16	60	14	30
17	93,0	86,39	PS 10T17	60	14	30
18	98,3	91,42	PS 10T18	70	14	30
19	103,3	96,45	PS 10T19	70	14	30
20	108,4	101,49	PS 10T20	75	14	30
21	113,4	106,52	PS 10T21	75	16	30
22	118,0	111,55	PS 10T22	80	16	30
23	123,4	116,58	PS 10T23	80	16	30
24	128,3	121,62	PS 10T24	80	16	30
25	134,0	126,66	PS 10T25	80	16	30
30	158,8	151,87	PS 10T30	90	20	35

### 1" x 17,02" - 16 B1

Z	D <sub>e</sub>	D <sub>p</sub>	PS			
			cod.	d	D	H
12	109,0	98,14	PS 12T12	69	16	40
13	117,0	116,12	PS 12T13	78	16	40
14	125,0	114,15	PS 12T14	84	16	40
15	133,0	122,17	PS 12T15	92	16	40
16	141,0	130,20	PS 12T16	100	20	45
17	149,0	138,22	PS 12T17	100	20	45
18	157,0	146,28	PS 12T18	100	20	45
19	165,2	154,33	PS 12T19	100	20	45
20	173,2	162,38	PS 12T20	100	20	45
21	181,2	170,43	PS 12T21	110	20	50
22	189,3	178,48	PS 12T22	110	20	50
23	197,5	186,53	PS 12T23	110	20	50
24	205,5	194,59	PS 12T24	110	20	50
25	213,5	202,66	PS 12T25	110	20	50
30	254,0	243,00	PS 12T30	120	20	50



**Pignoni semplici in acciaio inox AISI 304 L**  
**Simplex sprockets in stainless-steel 304 L**  
**Einfach Kettenräder aus Rostfreiem Stahl AISI 304 L**  
**Pignons simples en acier inoxydable AISI 304 L**  
**Piñones simples en acero inoxidable AISI 304 L**

### 3/8" x 7/32" - 06 B1

Z	D <sub>e</sub>	D <sub>p</sub>	PS			
			cod.	d	D	H
13	43,0	39,80	PS 05x13	28	10	25
14	46,3	42,80	PS 05x14	31	10	25
15	49,3	45,81	PS 05x15	34	10	25
16	52,3	48,82	PS 05x16	37	10	28
17	55,3	51,83	PS 05x17	40	10	28
18	58,3	54,85	PS 05x18	43	10	28
19	61,3	57,85	PS 05x19	45	10	28
20	64,3	60,89	PS 05x20	46	10	28
21	68,0	63,91	PS 05x21	48	12	28
22	71,0	66,93	PS 05x22	50	12	28
23	73,5	69,95	PS 05x23	52	12	28
24	77,0	72,97	PS 05x24	54	12	28
25	80,0	76,00	PS 05x25	57	12	28
30	94,7	91,12	PS 05x30	60	12	28

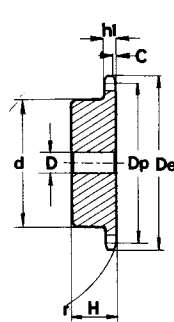
Pignoni per catene semplici, a rulli DIN 8187 - ISO/R 606

Sprockets for simplex, chain to DIN 8187 - ISO/R 606

Kettenräder mit einseitiger Nabe für Simplex-Rollenkette nach: DIN 8187 - ISO/R 606

Pignons avec moyeu déporté pour chaînes simples, à rouleaux suivant les normes: DIN 8187 - ISO/R 606

Piñones para cadena, de rodillos según las normas: DIN 8187 - ISO/R 606



### 1/2" x 5/16" - 08 B1

Z	D <sub>e</sub>	D <sub>p</sub>	PS			
			cod.	d	D	H
12	53,0	49,03	PS 09x12	33	10	28
13	57,4	53,06	PS 09x13	37	10	28
14	61,8	57,07	PS 09x14	41	10	28
15	65,5	61,09	PS 09x15	45	10	28
16	69,5	65,10	PS 09x16	50	12	28
17	73,6	69,11	PS 09x17	52	12	28
18	77,8	73,14	PS 09x18	56	12	28
19	81,7	77,16	PS 09x19	60	12	28
20	85,8	81,19	PS 09x20	64	12	28
21	89,7	85,22	PS 09x21	68	14	28
22	93,8	89,24	PS 09x22	70	14	28
23	98,2	93,27	PS 09x23	70	14	28
24	101,8	97,29	PS 09x24	70	14	28
25	105,8	101,33	PS 09x25	70	14	28
26	110,0	105,36	PS 09x26	70	16	30
30	126,1	121,50	PS 09x30	80	16	30

### 3/4" x 7/16" - 12 B1

Z	D <sub>e</sub>	D <sub>p</sub>	PS			
			cod.	d	D	H
12	81,5	73,60	PS 11x12	52	14	35
13	87,5	79,59	PS 11x13	58	14	35
14	93,6	85,61	PS 11x14	64	14	35
15	99,8	91,63	PS 11x15	70	14	35
16	105,5	97,65	PS 11x16	75	16	35
17	111,5	103,67	PS 11x17	80	16	35
18	118,0	109,71	PS 11x18	80	16	35
19	124,2	115,75	PS 11x19	80	16	35
20	129,7	121,78	PS 11x20	80	16	35
21	136,0	127,82	PS 11x21	90	20	40
22	141,8	133,86	PS 11x22	90	20	40
23	149,0	139,90	PS 11x23	90	20	40
24	153,9	145,94	PS 11x24	90	20	40
25	160,0	152,00	PS 11x25	90	20	40
30	190,5	182,25	PS 11x30	95	20	40

### 5/8" x 3/8" - 10 B1

Z	D <sub>e</sub>	D <sub>p</sub>	PS			
			cod.	d	D	H
12	68,0	61,34	PS 10x12	42	12	30
13	73,0	66,32	PS 10x13	47	12	30
14	78,0	71,34	PS 10x14	52	12	30
15	83,0	76,36	PS 10x15	57	12	30
16	88,0	81,37	PS 10x16	60	14	30
17	93,0	86,39	PS 10x17	60	14	30
18	98,3	91,42	PS 10x18	70	14	30
19	103,3	96,45	PS 10x19	70	14	30
20	108,4	101,49	PS 10x20	75	14	30
21	113,4	106,52	PS 10x21	75	16	30
22	118,0	111,55	PS 10x22	80	16	30
23	123,4	116,58	PS 10x23	80	16	30
24	128,3	121,62	PS 10x24	80	16	30
25	134,0	126,66	PS 10x25	80	16	30
30	158,8	151,87	PS 10x30	90	20	35

### 1" x 17,02 mm - 16 B1

Z	D <sub>e</sub>	D <sub>p</sub>	PS			
			cod.	d	D	H
12	109,0	98,14	PS 12x12	69	16	40
13	117,0	106,12	PS 12x13	78	16	40
14	125,0	114,15	PS 12x14	84	16	40
15	133,0	122,17	PS 12x15	92	16	40
16	141,0	130,20	PS 12x16	100	20	45
17	149,0	138,22	PS 12x17	100	20	45
18	157,0	146,28	PS 12x18	100	20	45
19	165,2	154,33	PS 12x19	100	20	45
20	173,2	162,38	PS 12x20	100	20	45
21	181,2	170,43	PS 12x21	110	20	50
22	189,3	178,48	PS 12x22	110	20	50
23	197,5	186,53	PS 12x23	110	20	50
24	205,5	194,59	PS 12x24	110	20	50
25	213,5	202,66	PS 12x25	110	20	50
30	254,0	243,00	PS 12x30	120	20	50

**AISI 304 L****Grado di resistenza alla corrosione - Corrosion resistance guide**

AGENTE CORROSIVO		CONCENTRAZIONE CONCENTRATION %	TEMPERATURA TEMPERATURE °C	304 L
ACETO	VINEGAR		20	A
ACIDO ACETICO	ACETIC ACID	5-100	20	A
ACIDO BUTIRRICO	BUTYRIC ACID	50	Bollente-Boiling	C
ACIDO CITRICO	CITRIC ACID	5-10	20-65	A
ACIDO CLORIDRICO	HYDROCHLORIC ACID	5	20-65	A
ACIDO CROMICO	CHROMIC ACID	15	Bollente-Boiling	A
ACIDO FORMICO	FORMIC ACID	5	20	E
ACIDO FOSFORICO	PHOSPHORIC ACID	10	20	A
		10	Bollente-Boiling	C
		10	20	A
		10	50	B
		1	20	A
		5-10	20	C
		5	20	A
		5	65	B
ACIDO LATTICO	LACTIC ACID	10	20	A
		10	Bollente-Boiling	B
		5-50	20	A
		50	Bollente-Boiling	A
ACIDO NITRICO	NITRIC ACID	100	Bollente-Boiling	D
ACIDO OLEICO	OLEIC ACID	100	20	B
		5	20	A
		5	Bollente-Boiling	E
ACIDO SOLFORICO	SULPHURIC ACID	50	20	D
		50	Bollente-Boiling	E
		100	20	A
		100	Bollente-Boiling	D
ACIDO TARTARICO	TARTAR ACID	10	20-65	A
ACQUA DOLCE	WATER			A
ACQUA MARINA	SEA WATER			A
ALCOOL ETILICO	ETHYL ALCOHOL		20-Bollente-Boiling	A
			20	A
ALCOOL METILICO	METHYL ALCOHOL		65	C
AMMONIACA	AQUA AMMONIA		20	A
BENZINA	GASOLINE		20	A
BIRRA	BEER			A
CAFFÈ	COFFEE		Bollente-Boiling	A
CARBONATO DI SODIO	SODIUM CARBONATE	5	20-65	A
CLOROFORMIO	CHLOROFORM		20	A
		1	20	B
CLORURO FERRICO	FERRIC CHLORIDE	5	20	D
CLORURO DI SODIO	SODIUM CHLORIDE	5-20	20-65	A
CLORURO DI ZINCO	ZINC CHLORIDE	5	20	A
GELATINA	GELATINE			A
GLICERINA	GLYCERINE			A
IDROSSIDO DI CALCIO	HYDROXIDE CALCIUM	10-20	Bollente-Boiling	A
		50	Bollente-Boiling	C
KETCHUP	KETTCHUP		20	A
LATTE	MILK		65	A
MAYONNAISE	MAYONNAISE		20	A
SAPONE	SOAP		20	A
SCIROPPO	SYRUP			A
SOLFATO DI ZINCO	ZINC SULPHATE	5-100	20	A
SUCCHI DI FRUTTA	FRUIT JUICE			A
TIOSOLFATO DI SODIO	SODIUM THIOSULFATE	5-10	20-65	A
TRICLOROETILENE	TRICHLOROETHYLENE	100	20	C
VERNICI	PAINT			A
VINO	WINE			A
WHISKY	WHISKY			A
ZUCCHERO DI CANNA	CANE SUGAR			A

A: ECCELLENTE - Excellent ( Corrosion Rate below 0,0089 mm/month )

B: SODDISFACENTE - Satisfactory ( Corrosion Rate 0,0089-0,089 mm/month )

C: MARGINALE - Marginale ( Corrosion Rate 0,089-0,25 mm/month )

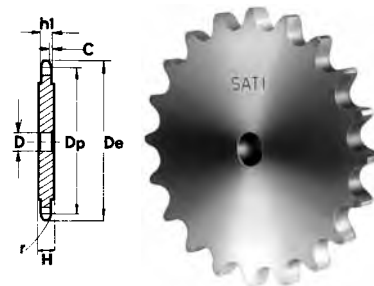
D: INSODDISFACENTE - Unsatisfactory ( Corrosion Rate 0,25-0,89 mm/month )

E: NON RACCOMANDABILE - Not recommendable ( Corrosion Rate over 0,0089 mm/month )



## Corone - Plate wheels Kettenradscheiben - Disques - Discos

Corone per catene semplici, a rulli secondo: DIN 8187 - ISO/R 606  
 Plate wheels for simplex chain to: DIN 8187 - ISO/R 606  
 Kettenradscheiben für Simplex-Rollenkette nach: DIN 8187 - ISO/R 606  
 Disques pour chaînes simples à rouleaux suivant les normes: DIN 8187 - ISO/R 606  
 Discos para cadena simple de rodillos según: DIN 8187 - ISO/R 606



### 5 x 2,5 mm

03-1  
ISO

CATENA:	CHAIN:	KETTE:	CHAÎNE:	CADENA:	mm
Passo	Pitch	Teilung	Pas	Paso	5
Larghezza interna	Internal width	Innere Breite	Largeur interieure	Ancho interno	2,5
Rullo $\phi$	Roller $\phi$	Rollen $\phi$	$\phi$ du rouleau	Rodillo $\phi$	3,2

ISO

CORONE	PLATE WHEELS	KETTENRADSCHIEBEN	DISQUES	DISCOS	mm
Raggio dente r	Tooth radius r	Radius r	Rayon de denture r	Radio diente r	r 5
Larghezza raggio C	Radius width C	Breite C	Largeur de rayon C	Ancho radio C	C 0,6
Largh. dente $h_1$	Tooth width $h_1$	Zahnbreite $h_1$	Larg. de denture $h_1$	Ancho diente $h_1$	$h_1$ 2,3
Largh. dente L	Tooth width L	Zahnbreite L	Larg. de denture L	Ancho diente L	L -
Largh. dente $h_2$	Tooth width $h_2$	Zahnbreite $h_2$	Larg. de denture $h_2$	Ancho diente $h_2$	$h_2$ -
Largh. dente $h_3$	Tooth width $h_3$	Zahnbreite $h_3$	Larg. de denture $h_3$	Ancho diente $h_3$	$h_3$ -
Altezza totale H	Full height H	Gesamt Höhe H	Hauteur totale H	Altura total H	H -

Corone tornite sui lati, dentate con creatore  
 Plate Wheels turned on both sides and  
 toothed by milling cutter  
 Seitlich plan gedrehte, wälzgefräste  
 Zahnkränze  
 Disques tournés sur les flancs, dentés à la  
 fraise  
 Discos torneadas en los lados, dientes  
 obtenidos con fresa madre

A partire da Z = 51 il disco ruota viene maggiorato, H = 4 mm - From Z = 51 the width of the plate is increased, H = 4 mm - Ab Zähnezahl Z = 51 beträgt die Scheibendicke H = 4 mm - A partir de Z = 51 l'épaisseur du disque est augmenté H = 4 mm - A partir de Z = 51 el disco rueda para cadena queda aumentado, H = 4 mm

Z	De	Dp	CS		Z	De	Dp	CS	
			cod.	D				cod.	D
8	15,2	13,06	CS 01008	4	44	72,2	70,09	CS 01044	8
9	16,8	14,62	CS 01009	4	45	73,8	71,68	CS 01045	8
10	18,3	16,18	CS 01010	4	46	75,4	73,27	CS 01046	8
11	19,9	17,75	CS 01011	5	47	77,0	74,86	CS 01047	8
12	21,5	19,32	CS 01012	5	48	78,6	76,45	CS 01048	8
13	23,0	20,89	CS 01013	5	49	80,2	78,03	CS 01049	8
14	24,6	22,47	CS 01014	5	50	81,8	79,63	CS 01050	8
15	26,2	24,04	CS 01015	5	51	83,4	81,22	CS 01051	10
16	27,8	25,63	CS 01016	6	52	85,0	82,81	CS 01052	10
17	29,4	27,20	CS 01017	6	53	86,6	84,40	CS 01053	10
18	30,9	28,79	CS 01018	6	54	88,1	85,97	CS 01054	10
19	32,5	30,38	CS 01019	6	55	89,7	87,58	CS 01055	10
20	34,1	31,96	CS 01020	6	56	91,3	89,17	CS 01056	10
21	35,7	33,54	CS 01021	8	57	92,9	90,76	CS 01057	10
22	37,3	35,13	CS 01022	8	58	94,5	92,35	CS 01058	10
23	38,9	36,72	CS 01023	8	59	96,1	93,94	CS 01059	10
24	40,5	38,30	CS 01024	8	60	97,7	95,53	CS 01060	10
25	42,0	39,89	CS 01025	8	62	100,9	98,72	CS 01062	12
26	43,6	41,48	CS 01026	8	64	104,1	101,90	CS 01064	12
27	45,2	43,07	CS 01027	8	65	105,6	103,49	CS 01065	12
28	46,8	44,65	CS 01028	8	66	107,2	105,08	CS 01066	12
29	48,4	46,25	CS 01029	8	68	110,4	108,26	CS 01068	12
30	50,0	47,83	CS 01030	8	70	113,6	111,44	CS 01070	12
31	51,5	49,42	CS 01031	8	72	116,8	114,63	CS 01072	12
32	53,2	51,01	CS 01032	8	75	121,6	119,40	CS 01075	12
33	54,8	52,60	CS 01033	8	76	123,1	120,99	CS 01076	12
34	56,3	54,19	CS 01034	8	78	126,3	124,17	CS 01078	12
35	57,9	55,78	CS 01035	8	80	129,5	127,35	CS 01080	12
36	59,5	57,37	CS 01036	8	85	137,5	135,31	CS 01085	14
37	61,1	58,96	CS 01037	8	90	145,4	143,27	CS 01090	14
38	62,7	60,54	CS 01038	8	95	153,4	151,22	CS 01095	14
39	64,3	62,13	CS 01039	8	100	161,3	159,18	CS 01100	14
40	65,9	63,73	CS 01040	8	110	177,2	175,09	CS 01110	14
41	67,5	65,31	CS 01041	8	114	183,6	181,46	CS 01114	14
42	69,1	66,91	CS 01042	8	120	193,2	191,01	CS 01120	14
43	70,6	68,49	CS 01043	8	125	201,1	198,96	CS 01125	14

## Corone - Plate wheels Kettenradscheiben - Disques - Discos

Corone per catene semplici, a rulli secondo: DIN 8187 - ISO/R 606

Plate wheels for simplex chain to: DIN 8187 - ISO/R 606

Kettenradscheiben für Simplex-Rollenkette nach: DIN 8187 - ISO/R 606

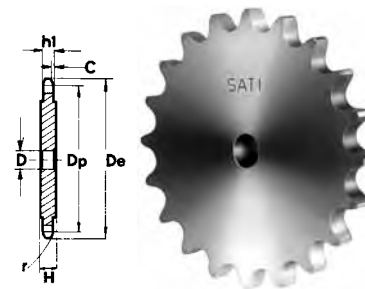
Disques pour chaînes simples à rouleaux suivant les normes: DIN 8187 - ISO/R 606

Discos para cadena simple de rodillos según: DIN 8187 - ISO/R 606

### 6 x 2,8 mm

04-1  
ISO

CATENA:	CHAIN:	KETTE:	CHAÎNE:	CADENA:	mm
Passo	Pitch	Teilung	Pas	Paso	6
Larghezza interna	Internal width	Innere Breite	Largeur interieure	Ancho interno	2,8
Rullo $\varnothing$	Roller $\varnothing$	Rollen $\varnothing$	$\varnothing$ du rouleau	Rodillo $\varnothing$	4



CORONE	PLATE WHEELS	KETTENRADSCHLEIBEN	DISQUES	DISCOS	mm
Raggio dente r	Tooth radius r	Radius r	Rayon de denture r	Radio diente r	r 6
Larghezza raggio C	Radius width C	Breite C	Largeur de rayon C	Ancho radio C	C 0,7
Largh. dente $h_1$	Tooth width $h_1$	Zahnbreite $h_1$	Larg. de denture $h_1$	Ancho diente $h_1$	$h_1$ 2,6
Largh. dente L	Tooth width L	Zahnbreite L	Larg. de denture L	Ancho diente L	L -
Largh. dente $h_2$	Tooth width $h_2$	Zahnbreite $h_2$	Larg. de denture $h_2$	Ancho diente $h_2$	$h_2$ -
Largh. dente $h_3$	Tooth width $h_3$	Zahnbreite $h_3$	Larg. de denture $h_3$	Ancho diente $h_3$	$h_3$ -
Altezza totale H	Full height H	Gesamt Höhe H	Hauteur totale H	Altura total H	H -

Corone tornite sui lati, dentate con creatore  
Plate Wheels turned on both sides and  
toothed by milling cutter  
Seitlich plan gedrehte, wälzgefräste  
Zahnkränze  
Disques tournés sur les flancs, dentés à la  
fraise  
Discos torneadas en los lados, dientes  
obtenidos con fresa madre

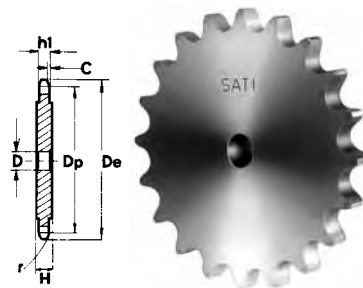
A partire da Z = 51 il disco ruota viene maggiorato, H = 4 mm - From Z = 51 the width of the plate is increased, H = 4 mm - Ab Zähnezahl Z = 51 beträgt die Scheibendicke H = 4 mm - A partir de Z = 51 l'épaisseur du disque est augmenté H = 4 mm - A partir de Z = 51 el disco rueda para cadena queda aumentado, H = 4 mm

Z	De	Dp	CS		Z	De	Dp	CS	
			cod.	D				cod.	D
8	18,0	15,67	CS 02008	5	44	86,6	84,10	CS 02044	10
9	19,9	17,54	CS 02009	5	45	88,5	86,01	CS 02045	10
10	21,7	19,42	CS 02010	6	46	90,4	87,92	CS 02046	10
11	23,7	21,30	CS 02011	6	47	92,3	89,83	CS 02047	10
12	25,4	23,18	CS 02012	6	48	94,2	91,74	CS 02048	10
13	27,3	25,05	CS 02013	8	49	96,1	93,64	CS 02049	10
14	29,2	26,96	CS 02014	8	50	98,0	95,55	CS 02050	10
15	31,1	28,86	CS 02015	8	51	99,9	97,47	CS 02051	12
16	33,0	30,76	CS 02016	8	52	101,8	99,37	CS 02052	12
17	35,0	32,65	CS 02017	8	53	103,7	101,27	CS 02053	12
18	36,9	34,55	CS 02018	8	54	105,6	103,17	CS 02054	12
19	38,8	36,44	CS 02019	8	55	107,6	105,08	CS 02055	12
20	40,7	38,34	CS 02020	8	56	109,5	107,00	CS 02056	12
21	42,6	40,25	CS 02021	8	57	111,4	108,93	CS 02057	12
22	44,5	42,16	CS 02022	8	58	113,3	110,82	CS 02058	12
23	46,4	44,06	CS 02023	8	59	115,2	112,71	CS 02059	12
24	48,3	45,96	CS 02024	8	60	117,1	114,62	CS 02060	12
25	50,2	47,87	CS 02025	8	62	120,9	118,45	CS 02062	14
26	52,1	49,77	CS 02026	8	64	124,7	122,27	CS 02064	14
27	54,0	51,67	CS 02027	8	65	126,6	124,18	CS 02065	14
28	55,9	53,58	CS 02028	8	66	128,5	126,09	CS 02066	14
29	57,8	55,50	CS 02029	8	68	132,4	129,91	CS 02068	14
30	59,8	57,42	CS 02030	8	70	136,2	133,73	CS 02070	14
31	61,7	59,31	CS 02031	8	72	140,0	137,55	CS 02072	16
32	63,6	61,21	CS 02032	8	75	145,7	143,28	CS 02075	16
33	65,5	63,11	CS 02033	8	76	147,6	145,19	CS 02076	16
34	67,4	65,02	CS 02034	8	78	151,5	149,01	CS 02078	16
35	69,3	66,93	CS 02035	8	80	155,3	152,82	CS 02080	16
36	71,2	68,84	CS 02036	8	85	164,8	162,37	CS 02085	16
37	73,1	70,75	CS 02037	8	90	174,4	171,92	CS 02090	16
38	75,0	72,66	CS 02038	8	95	183,9	181,47	CS 02095	16
39	76,9	74,56	CS 02039	8	100	193,5	191,01	CS 02100	16
40	78,9	76,47	CS 02040	8	110	211,6	210,11	CS 02110	16
41	80,8	78,38	CS 02041	10	114	220,2	217,75	CS 02114	16
42	82,7	80,28	CS 02042	10	120	231,7	229,20	CS 02120	16
43	84,7	82,19	CS 02043	10	125	241,2	238,75	CS 02125	16



## Corone - Plate wheels Kettenradscheiben - Disques - Discos

Corone per catene semplici, a rulli secondo: DIN 8188 - ISO/R 606 - ANSI B29,1  
 Plate wheels for simplex chain to: DIN 8188 - ISO/R 606 - ANSI B29,1  
 Kettenradscheiben für Simplex-Rollenkette nach: DIN 8188 - ISO/R 606 - ANSI B29,1  
 Disques pour chaînes simples à rouleaux suivant les normes: DIN 8188 - ISO/R 606 - ANSI B29,1  
 Discos para cadena simple de rodillos según: DIN 8188 - ISO/R 606 - ANSI B29,1



### 1/4" x 1/8"

**ASA 25-1 6,35 x 3,18 mm**

					ASA 25
CATENA:	CHAIN:	KETTE:	CHAÎNE:	CADENA:	mm
Passo	Pitch	Teilung	Pas	Paso	6,35
Larghezza interna	Internal width	Innere Breite	Largeur interieure	Ancho interno	3,18
Rullo $\varnothing$	Roller $\varnothing$	Rollen $\varnothing$	$\varnothing$ du rouleau	Rodillo $\varnothing$	3,3
					ASA
CORONE	PLATE WHEELS	KETTENRADSCHIEBEN	DISQUES	DISCOS	mm
Raggio dente r	Tooth radius r	Radius r	Rayon de denture r	Radio diente r	r 6,4
Larghezza raggio C	Radius width C	Breite C	Largeur de rayon C	Ancho radio C	C 0,7
Largh. dente $h_1$	Tooth width $h_1$	Zahnbreite $h_1$	Larg. de denture $h_1$	Ancho diente $h_1$	$h_1$ 2,9
Largh. dente L	Tooth width L	Zahnbreite L	Larg. de denture L	Ancho diente L	L -
Largh. dente $h_2$	Tooth width $h_2$	Zahnbreite $h_2$	Larg. de denture $h_2$	Ancho diente $h_2$	$h_2$ -
Largh. dente $h_3$	Tooth width $h_3$	Zahnbreite $h_3$	Larg. de denture $h_3$	Ancho diente $h_3$	$h_3$ -
Altezza totale H	Full height H	Gesamt Höhe H	Hauteur totale H	Altura total H	H -

Corone tornite sui lati, dentate con creatore  
 Plate Wheels turned on both sides and  
 toothed by milling cutter  
 Seitlich plan gedrehte, wälzgefräste  
 Zahnkränze  
 Disques tournés sur les flancs, dentés à la  
 fraise  
 Discos torneadas en los lados, dientes  
 obtenidos con fresa madre

A partire da Z = 51 il disco ruota viene maggiorato, H = 4 mm - From Z = 51 the width of the plate is increased, H = 4 mm - Ab Zähnezahl Z = 51 beträgt die Scheibendicke H = 4 mm - A partir de Z = 51 l'épaisseur du disque est augmenté H = 4 mm - A partir de Z = 51 el disco rueda para cadena queda aumentado, H = 4 mm

Z	De	Dp	CS		Z	De	Dp	CS	
			cod.	D				cod.	D
8	19,4	16,58	CS 03008	6	44	91,8	89,01	CS 03044	10
9	21,4	18,56	CS 03009	6	45	93,8	91,03	CS 03045	10
10	23,3	20,55	CS 03010	6	46	95,8	93,05	CS 03046	10
11	25,3	22,54	CS 03011	8	47	97,9	95,07	CS 03047	10
12	27,3	24,53	CS 03012	8	48	99,9	97,09	CS 03048	10
13	29,3	26,53	CS 03013	8	49	101,9	99,10	CS 03049	10
14	31,3	28,53	CS 03014	8	50	103,9	101,13	CS 03050	10
15	33,3	30,55	CS 03015	8	51	105,9	103,14	CS 03051	12
16	35,3	32,55	CS 03016	8	52	108,0	105,16	CS 03052	12
17	37,3	34,55	CS 03017	8	53	110,0	107,18	CS 03053	12
18	39,4	36,56	CS 03018	8	54	112,0	109,18	CS 03054	12
19	41,4	38,58	CS 03019	8	55	114,0	111,23	CS 03055	12
20	43,4	40,58	CS 03020	8	56	116,0	113,25	CS 03056	12
21	45,4	42,60	CS 03021	8	57	118,1	115,27	CS 03057	12
22	47,4	44,62	CS 03022	8	58	120,1	117,29	CS 03058	12
23	49,4	46,63	CS 03023	8	59	122,1	119,31	CS 03059	12
24	51,4	48,64	CS 03024	8	60	124,1	121,32	CS 03060	12
25	53,3	50,66	CS 03025	8	62	128,2	125,37	CS 03062	12
26	55,5	52,67	CS 03026	8	64	132,2	129,41	CS 03064	12
27	57,5	54,69	CS 03027	8	65	134,2	131,43	CS 03065	12
28	59,5	56,71	CS 03028	8	66	136,2	133,45	CS 03066	14
29	61,5	58,73	CS 03029	8	68	140,3	137,49	CS 03068	14
30	63,6	60,75	CS 03030	8	70	144,3	141,53	CS 03070	14
31	65,6	62,76	CS 03031	10	72	148,4	145,58	CS 03072	14
32	67,6	64,78	CS 03032	10	75	154,4	151,63	CS 03075	14
33	69,6	66,80	CS 03033	10	76	156,5	153,66	CS 03076	14
34	71,6	68,82	CS 03034	10	78	160,5	157,70	CS 03078	16
35	73,6	70,84	CS 03035	10	80	164,5	161,74	CS 03080	16
36	75,6	72,85	CS 03036	10	85	174,6	171,85	CS 03085	16
37	77,7	74,87	CS 03037	10	90	184,7	181,95	CS 03090	16
38	79,7	76,89	CS 03038	10	95	194,8	192,05	CS 03095	16
39	81,7	78,91	CS 03039	10	100	204,9	202,15	CS 03100	16
40	83,7	80,93	CS 03040	10	110	225,1	222,37	CS 03110	16
41	85,7	82,95	CS 03041	10	114	233,2	230,45	CS 03114	16
42	87,8	84,97	CS 03042	10	120	245,4	242,58	CS 03120	16
43	89,8	86,98	CS 03043	10	125	255,5	252,68	CS 03125	16

# Corone - Plate wheels Kettenradscheiben - Disques - Discos



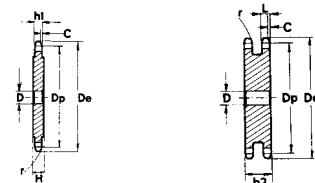
Corone per catene semplici, a rulli secondo: DIN 8187 - ISO/R 606  
 Plate wheels for simplex chain to: DIN 8187 - ISO/R 606  
 Kettenradscheiben für Simplex-Rollenkette nach: DIN 8187 - ISO/R 606  
 Disques pour chaînes simples à rouleaux suivant les normes: DIN 8187 - ISO/R 606  
 Discos para cadena simple de rodillos según: DIN 8187 - ISO/R 606



## 8 x 3,0 mm

05B-1-2

CATENA:	CHAIN:	KETTE:	CHAÎNE:	CADENA:	ISO
Passo	Pitch	Teilung	Pas	Paso	mm
Larghezza interna	Internal width	Innere Breite	Largeur interieure	Ancho interno	8
Rullo ø	Roller ø	Rollen ø	ø du rouleau	Rodillo ø	3
					5



CORONE	PLATE WHEELS	KETTENRADSCHIEBEN	DISQUES	DISCOS	ISO
Raggio dente r	Tooth radius r	Radius r	Rayon de denture r	Radio diente r	r 8
Larghezza raggio C	Radius width C	Breite C	Largeur de rayon C	Ancho radio C	C 1,0
Largh. dente h <sub>1</sub>	Tooth width h <sub>1</sub>	Zahnbreite h <sub>1</sub>	Larg. de denture h <sub>1</sub>	Ancho diente h <sub>1</sub>	h <sub>1</sub> 2,8
Largh. dente L	Tooth width L	Zahnbreite L	Larg. de denture L	Ancho diente L	L 2,7
Largh. dente h <sub>2</sub>	Tooth width h <sub>2</sub>	Zahnbreite h <sub>2</sub>	Larg. de denture h <sub>2</sub>	Ancho diente h <sub>2</sub>	h <sub>2</sub> 8,3
Largh. dente h <sub>3</sub>	Tooth width h <sub>3</sub>	Zahnbreite h <sub>3</sub>	Larg. de denture h <sub>3</sub>	Ancho diente h <sub>3</sub>	h <sub>3</sub> -
Altezza totale H	Full height H	Gesamt Höhe H	Hauteur totale H	Altura total H	H -

Corone tornite sui lati, dentate con creatore  
 Plate Wheels turned on both sides and  
 toothed by milling cutter  
 Seitlich plan gedrehte, wälzgefräste  
 Zahnkränze  
 Disques tournés sur les flancs, dentés à la  
 fraise  
 Discos torneadas en los lados, dientes  
 obtenidos con fresa madre

A partire da Z = 51 il disco ruota viene maggiorato, H = 4 mm - From Z = 51 the width of the plate is increased, H = 4 mm - Ab Zähnezahl Z = 51 beträgt die Scheibendicke H = 4 mm - A partir de Z = 51 l'épaisseur du disque est augmenté H = 4 mm - A partir de Z = 51 el disco rueda para cadena queda aumentado, H = 4 mm

Z	D <sub>e</sub>	D <sub>p</sub>	CS		CD		Z	D <sub>e</sub>	D <sub>p</sub>	CS		CD	
			cod.	D	cod.	D				cod.	D	cod.	D
8	24,0	20,90	CS 04008	6	CD 04008	6	44	115,5	112,14	CS 04044	12	CD 04044	14
9	26,6	23,39	CS 04009	6	CD 04009	6	45	118,0	114,69	CS 04045	12	CD 04045	14
10	29,2	25,89	CS 04010	8	CD 04010	8	46	120,6	117,23	CS 04046	12	CD 04046	14
11	31,7	28,39	CS 04011	8	CD 04011	8	47	123,1	119,77	CS 04047	12	CD 04047	14
12	34,2	30,91	CS 04012	8	CD 04012	8	48	125,6	122,32	CS 04048	12	CD 04048	14
13	36,7	33,42	CS 04013	8	CD 04013	8	49	128,2	124,86	CS 04049	12	CD 04049	14
14	39,2	35,95	CS 04014	8	CD 04014	8	50	130,7	127,41	CS 04050	12	CD 04050	14
15	41,7	38,48	CS 04015	8	CD 04015	8	51	133,3	129,95	CS 04051	14	CD 04051	16
16	44,3	41,01	CS 04016	8	CD 04016	10	52	135,8	132,49	CS 04052	14	CD 04052	16
17	46,8	43,53	CS 04017	8	CD 04017	10	53	138,4	135,04	CS 04053	14	CD 04053	16
18	49,3	46,07	CS 04018	8	CD 04018	10	54	140,9	137,59	CS 04054	14	CD 04054	16
19	51,9	48,61	CS 04019	8	CD 04019	10	55	143,5	140,13	CS 04055	14	CD 04055	16
20	54,4	51,14	CS 04020	8	CD 04020	10	56	146,0	142,68	CS 04056	14	CD 04056	16
21	57,0	53,67	CS 04021	8	CD 04021	10	57	148,6	145,22	CS 04057	14	CD 04057	16
22	59,5	56,21	CS 04022	8	CD 04022	10	58	151,0	147,77	CS 04058	14	CD 04058	16
23	62,0	58,75	CS 04023	8	CD 04023	10	59	153,6	150,31	CS 04059	14	CD 04059	16
24	64,6	61,29	CS 04024	8	CD 04024	10	60	156,2	152,85	CS 04060	14	CD 04060	16
25	67,5	63,83	CS 04025	8	CD 04025	10	62	162,0	157,95	CS 04062	16	CD 04062	20
26	69,5	66,37	CS 04026	10	CD 04026	12	64	167,1	163,04	CS 04064	16	CD 04064	20
27	72,2	68,91	CS 04027	10	CD 04027	12	65	169,2	165,58	CS 04065	16	CD 04065	20
28	74,8	71,45	CS 04028	10	CD 04028	12	66	172,2	168,13	CS 04066	16	CD 04066	20
29	77,3	73,99	CS 04029	10	CD 04029	12	68	177,3	173,22	CS 04068	16	CD 04068	20
30	79,8	76,53	CS 04030	10	CD 04030	12	70	182,4	178,31	CS 04070	16	CD 04070	20
31	82,4	79,08	CS 04031	10	CD 04031	12	72	187,5	183,41	CS 04072	20	CD 04072	20
32	84,9	81,61	CS 04032	10	CD 04032	12	75	195,1	191,04	CS 04075	20	CD 04075	20
33	87,5	84,16	CS 04033	10	CD 04033	12	76	197,7	193,59	CS 04076	20	CD 04076	20
34	90,0	86,70	CS 04034	10	CD 04034	12	78	202,8	198,68	CS 04078	20	CD 04078	20
35	92,5	89,24	CS 04035	10	CD 04035	12	80	207,9	203,77	CS 04080	20	CD 04080	20
36	95,0	91,79	CS 04036	10	CD 04036	12	85	220,6	216,50	CS 04085	20	CD 04085	20
37	97,6	94,33	CS 04037	10	CD 04037	12	90	233,4	229,23	CS 04090	20	CD 04090	20
38	100,2	96,88	CS 04038	10	CD 04038	12	95	246,1	241,96	CS 04095	20	CD 04095	20
39	102,7	99,42	CS 04039	10	CD 04039	12	100	258,9	254,68	CS 04100	20	CD 04100	20
40	105,2	101,97	CS 04040	10	CD 04040	12	110	284,3	280,15	CS 04110	20	CD 04110	20
41	107,8	104,51	CS 04041	12	CD 04041	14	114	294,5	290,33	CS 04114	20	CD 04114	20
42	110,4	107,05	CS 04042	12	CD 04042	14	120	310,0	305,61	CS 04120	20	CD 04120	20
43	112,9	109,60	CS 04043	12	CD 04043	14	125	322,5	318,34	CS 04125	20	CD 04125	20





# Corone - Plate wheels Kettenradscheiben - Disques - Discos

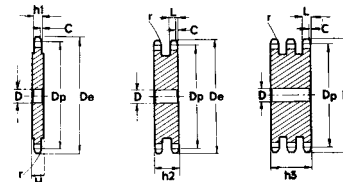
Corone per catene semplici, doppie e triple a rulli secondo: DIN 8187 - ISO/R 606  
 Plate wheels for simplex duplex and triplex chain to: DIN 8187 - ISO/R 606  
 Kettenradscheiben für Simplex-Duplex-Triplex-Rollenkette nach: DIN 8187 - ISO/R 606  
 Disques pour chaînes simples, doubles et triples à rouleaux suivant les normes: DIN 8187 - ISO/R 606  
 Discos para cadena simple, doble y triple de rodillos segun: DIN 8187 - ISO/R 606



**3/8" x 7/32"**

**06B - 1-2-3 9,525 x 5,72 mm**

CATENA:	CHAIN:	KETTE:	CHAÎNE:	CADENA:	ISO
Passo	Pitch	Teilung	Pas	Paso	<b>9,525</b>
Larghezza interna	Internal width	Innere Breite	Largeur interieure	Ancho interno	<b>5,72</b>
Rullo ø	Roller ø	Rollen ø	ø du rouleau	Rodillo ø	<b>6,35</b>



CORONE	PLATE WHEELS	KETTENRADSCHIEBEN	DISQUES	DISCOS	ISO
Raggio dente r	Tooth radius r	Radius r	Rayon de denture r	Radio diente r	<b>r 10</b>
Larghezza raggio C	Radius width C	Breite C	Largeur de rayon C	Ancho radio C	<b>C 1</b>
Largh. dente h <sub>1</sub>	Tooth width h <sub>1</sub>	Zahnbreite h <sub>1</sub>	Larg. de denture h <sub>1</sub>	Ancho diente h <sub>1</sub>	<b>h<sub>1</sub> 5,3</b>
Largh. dente L	Tooth width L	Zahnbreite L	Larg. de denture L	Ancho diente L	<b>L 5,2</b>
Largh. dente h <sub>2</sub>	Tooth width h <sub>2</sub>	Zahnbreite h <sub>2</sub>	Larg. de denture h <sub>2</sub>	Ancho diente h <sub>2</sub>	<b>h<sub>2</sub> 15,4</b>
Largh. dente h <sub>3</sub>	Tooth width h <sub>3</sub>	Zahnbreite h <sub>3</sub>	Larg. de denture h <sub>3</sub>	Ancho diente h <sub>3</sub>	<b>h<sub>3</sub> 25,6</b>
Altezza totale H	Full height H	Gesamt Höhe H	Hauteur totale H	Altura total H	<b>H -</b>

Corone tornite sui lati, dentate con creatore  
 Plate Wheels turned on both sides and  
 toothed by milling cutter  
 Seitlich plan gedrehte, wälzgefräste  
 Zahnkränze  
 Disques tournés sur les flancs, dentés à la  
 fraise  
 Discos torneadas en los lados, dientes  
 obtenidos con fresa madre

A partire da Z = 100 il disco ruota viene maggiorato, H = 7 mm - From Z = 100 the width of the plate is increased, H = 7 mm - Ab Zähnezahl Z = 100 beträgt die Scheibendicke H = 7 mm - A partir de Z = 100 l'épaisseur du disque est augmenté H = 7 mm - A partir de Z = 100 el disco rueda para cadena queda aumentado, H = 7 mm

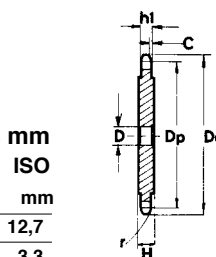
Z	D <sub>e</sub>	D <sub>p</sub>	CS		CD		CT		Z	D <sub>e</sub>	D <sub>p</sub>	CS		CD		CT	
			cod.	D	cod.	D	cod.	D				cod.	D	cod.	D	cod.	D
8	28,0	24,89	CS 05008	6	CD 05008	6	CT 05008	6	44	137,6	133,52	CS 05044	16	CD 05044	16	CT 05044	16
9	31,0	27,85	CS 05009	7	CD 05009	8	CT 05009	8	45	140,7	136,54	CS 05045	16	CD 05045	16	CT 05045	16
10	34,0	30,82	CS 05010	7	CD 05010	8	CT 05010	10	46	143,7	139,58	CS 05046	16	CD 05046	16	CT 05046	16
11	37,0	33,80	CS 05011	8	CD 05011	10	CT 05011	10	47	146,7	142,61	CS 05047	16	CD 05047	16	CT 05047	16
12	40,0	36,80	CS 05012	8	CD 05012	10	CT 05012	10	48	149,7	145,64	CS 05048	16	CD 05048	16	CT 05048	16
13	43,0	39,80	CS 05013	8	CD 05013	10	CT 05013	10	49	152,7	148,66	CS 05049	16	CD 05049	16	CT 05049	16
14	46,3	42,80	CS 05014	8	CD 05014	10	CT 05014	12	50	155,7	151,69	CS 05050	16	CD 05050	16	CT 05050	16
15	49,3	45,81	CS 05015	8	CD 05015	10	CT 05015	12	51	158,7	154,72	CS 05051	16	CD 05051	16	CT 05051	20
16	52,3	48,82	CS 05016	10	CD 05016	12	CT 05016	12	52	161,8	157,75	CS 05052	16	CD 05052	16	CT 05052	20
17	55,3	51,83	CS 05017	10	CD 05017	12	CT 05017	12	53	164,8	160,78	CS 05053	16	CD 05053	16	CT 05053	20
18	58,3	54,85	CS 05018	10	CD 05018	12	CT 05018	12	54	167,8	163,82	CS 05054	16	CD 05054	16	CT 05054	20
19	61,3	57,87	CS 05019	10	CD 05019	12	CT 05019	12	55	170,8	166,85	CS 05055	16	CD 05055	16	CT 05055	20
20	64,3	60,89	CS 05020	10	CD 05020	12	CT 05020	12	56	173,8	169,88	CS 05056	16	CD 05056	16	CT 05056	20
21	68,0	63,91	CS 05021	10	CD 05021	12	CT 05021	14	57	176,9	172,91	CS 05057	16	CD 05057	16	CT 05057	20
22	71,0	66,93	CS 05022	10	CD 05022	12	CT 05022	14	58	179,9	175,93	CS 05058	16	CD 05058	16	CT 05058	20
23	73,5	69,95	CS 05023	10	CD 05023	12	CT 05023	14	59	183,0	178,96	CS 05059	16	CD 05059	16	CT 05059	20
24	77,0	72,97	CS 05024	10	CD 05024	12	CT 05024	14	60	186,0	181,99	CS 05060	16	CD 05060	16	CT 05060	20
25	80,0	76,00	CS 05025	10	CD 05025	12	CT 05025	14	62	192,1	188,06	CS 05062	20	CD 05062	20	CT 05062	20
26	83,0	79,02	CS 05026	10	CD 05026	12	CT 05026	14	64	198,2	194,12	CS 05064	20	CD 05064	20	CT 05064	20
27	86,0	82,04	CS 05027	10	CD 05027	12	CT 05027	14	65	201,6	197,15	CS 05065	20	CD 05065	20	CT 05065	20
28	89,0	85,07	CS 05028	10	CD 05028	12	CT 05028	14	66	204,6	200,18	CS 05066	20	CD 05066	20	CT 05066	25
29	92,0	88,09	CS 05029	10	CD 05029	12	CT 05029	14	68	210,7	206,24	CS 05068	20	CD 05068	20	CT 05068	25
30	94,7	91,12	CS 05030	10	CD 05030	12	CT 05030	14	70	216,7	212,30	CS 05070	20	CD 05070	20	CT 05070	25
31	98,3	94,15	CS 05031	12	CD 05031	14	CT 05031	16	72	222,8	218,37	CS 05072	20	CD 05072	20	CT 05072	25
32	101,3	97,17	CS 05032	12	CD 05032	14	CT 05032	16	75	231,9	227,46	CS 05075	20	CD 05075	20	CT 05075	25
33	104,3	100,20	CS 05033	12	CD 05033	14	CT 05033	16	76	234,9	230,49	CS 05076	20	CD 05076	20	CT 05076	25
34	107,3	103,23	CS 05034	12	CD 05034	14	CT 05034	16	78	241,0	236,55	CS 05078	20	CD 05078	20	CT 05078	25
35	110,4	106,26	CS 05035	12	CD 05035	14	CT 05035	16	80	247,1	242,61	CS 05080	20	CD 05080	20	CT 05080	25
36	113,4	109,29	CS 05036	12	CD 05036	14	CT 05036	16	85	262,2	257,77	CS 05085	20	CD 05085	20	CT 05085	25
37	116,4	112,32	CS 05037	12	CD 05037	14	CT 05037	16	90	277,4	272,93	CS 05090	20	CD 05090	20	CT 05090	25
38	119,5	115,34	CS 05038	12	CD 05038	14	CT 05038	16	95	292,5	288,08	CS 05095	20	CD 05095	20	CT 05095	25
39	122,5	118,37	CS 05039	12	CD 05039	14	CT 05039	16	100	307,7	303,25	CS 05100	20	CD 05100	20	CT 05100	25
40	125,5	121,40	CS 05040	12	CD 05040	14	CT 05040	16	110	338,0	333,55	CS 05110	20	CD 05110	20	CT 05110	25
41	128,5	124,43	CS 05041	16	CD 05041	16	CT 05041	16	114	349,5	345,68	CS 05114	20	CD 05114	20	CT 05114	25
42	131,6	127,46	CS 05042	16	CD 05042	16	CT 05042	16	120	368,3	363,86	CS 05120	20	CD 05120	20	CT 05120	25
43	134,6	130,49	CS 05043	16	CD 05043	16	CT 05043	16	125	383,5	379,02	CS 05125	20	CD 05125	20	CT 05125	25

## Corone - Plate wheels Kettenradscheiben - Disques - Discos



Corone per catene semplici, a rulli secondo: DIN 8187 - ISO/R 606  
 Plate wheels for simplex chain to: DIN 8187 - ISO/R 606  
 Kettenradscheiben für Simplex-Rollenkette nach: DIN 8187 - ISO/R 606  
 Disques pour chaînes simples à rouleaux suivant les normes: DIN 8187 - ISO/R 606  
 Discos para cadena simple de rodillos según: DIN 8187 - ISO/R 606

### 1/2" x 1/8"

**081- 1 12,7 x 3,33 mm**


CATENA:	CHAIN:	KETTE:	CHAÎNE:	CADENA:	ISO
Passo	Pitch	Teilung	Pas	Paso	<b>12,7</b>
Larghezza interna	Internal width	Innere Breite	Largeur interieure	Ancho interno	<b>3,3</b>
Rullo $\varnothing$	Roller $\varnothing$	Rollen $\varnothing$	$\varnothing$ du rouleau	Rodillo $\varnothing$	<b>7,75</b>

CORONE	PLATE WHEELS	KETTENRADSCHIEBEN	DISQUES	DISCOS	ISO
Raggio dente r	Tooth radius r	Radius r	Rayon de denture r	Radio diente r	<b>r 13</b>
Larghezza raggio C	Radius width C	Breite C	Largeur de rayon C	Ancho radio C	<b>C 1,3</b>
Largh. dente $h_1$	Tooth width $h_1$	Zahnbreite $h_1$	Larg. de denture $h_1$	Ancho diente $h_1$	<b><math>h_1</math> 3</b>
Largh. dente L	Tooth width L	Zahnbreite L	Larg. de denture L	Ancho diente L	<b>L -</b>
Largh. dente $h_2$	Tooth width $h_2$	Zahnbreite $h_2$	Larg. de denture $h_2$	Ancho diente $h_2$	<b><math>h_2</math> -</b>
Largh. dente $h_3$	Tooth width $h_3$	Zahnbreite $h_3$	Larg. de denture $h_3$	Ancho diente $h_3$	<b><math>h_3</math> -</b>
Altezza totale H	Full height H	Gesamt Höhe H	Hauteur totale H	Altura total H	<b>H -</b>

Corone tornite sui lati, dentate con creatore  
 Plate Wheels turned on both sides and  
 toothed by milling cutter  
 Seitlich plan gedrehte, wälzgefräste  
 Zahnkränze  
 Disques tournés sur les flancs, dentés à la  
 fraise  
 Discos torneadas en los lados, dientes  
 obtenidos con fresa madre

A partire da Z = 31 il disco ruota viene maggiorato, H = 4 mm - From Z = 31 the width of the plate is increased, H = 4 mm - Ab Zähnezahl Z = 31 beträgt die Scheibendicke H = 4 mm - A partir de Z = 31 l'épaisseur du disque est augmenté H = 4 mm - A partir de Z = 31 el disco rueda para cadena queda aumentado, H = 4 mm

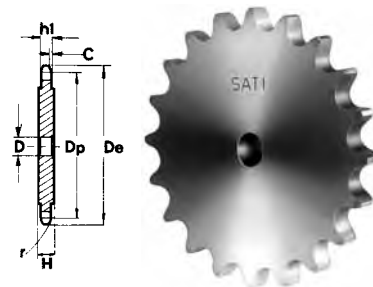
A partire da Z = 90 il disco ruota viene maggiorato, H = 6 mm - From Z = 90 the width of the plate is increased, H = 6 mm - Ab Zähnezahl Z = 90 beträgt die Scheibendicke H = 6 mm - A partir de Z = 90 l'épaisseur du disque est augmenté H = 6 mm - A partir de Z = 90 el disco rueda para cadena queda aumentado, H = 6 mm

Z	De	Dp	CS		Z	De	Dp	CS	
			cod.	D				cod.	D
8	37,2	33,18	CS 06008	8	44	183,5	178,03	CS 06044	16
9	41,5	37,13	CS 06009	8	45	187,5	182,07	CS 06045	16
10	46,2	41,10	CS 06010	8	46	191,6	186,10	CS 06046	20
11	49,6	45,07	CS 06011	8	47	195,6	190,14	CS 06047	20
12	53,9	49,07	CS 06012	8	48	199,7	194,18	CS 06048	20
13	58,4	53,06	CS 06013	8	49	203,7	198,22	CS 06049	20
14	62,8	57,07	CS 06014	8	50	207,8	202,26	CS 06050	20
15	66,8	61,09	CS 06015	8	51	211,8	206,30	CS 06051	20
16	70,9	65,10	CS 06016	10	52	215,9	210,34	CS 06052	20
17	74,9	69,11	CS 06017	10	53	219,9	214,37	CS 06053	20
18	78,9	73,14	CS 06018	10	54	224,0	218,43	CS 06054	20
19	82,9	77,16	CS 06019	10	55	228,0	222,46	CS 06055	20
20	86,9	81,19	CS 06020	10	56	232,1	226,50	CS 06056	20
21	91,0	85,22	CS 06021	10	57	236,1	230,54	CS 06057	20
22	95,0	89,24	CS 06022	10	58	240,2	234,58	CS 06058	20
23	99,0	93,27	CS 06023	10	59	244,2	238,62	CS 06059	20
24	103,0	97,29	CS 06024	10	60	248,2	242,66	CS 06060	20
25	107,1	101,33	CS 06025	10	62	256,7	250,75	CS 06062	20
26	111,2	105,36	CS 06026	12	64	264,8	258,82	CS 06064	20
27	115,4	109,40	CS 06027	12	65	268,8	262,86	CS 06065	20
28	119,4	113,42	CS 06028	12	66	272,9	266,90	CS 06066	25
29	123,4	117,46	CS 06029	12	68	280,9	274,99	CS 06068	25
30	127,5	121,50	CS 06030	12	70	289,0	283,07	CS 06070	25
31	131,5	125,54	CS 06031	12	72	297,1	291,16	CS 06072	25
32	135,5	129,56	CS 06032	12	76	313,3	307,33	CS 06076	25
33	139,6	133,60	CS 06033	12	78	321,4	315,40	CS 06078	25
34	143,6	137,64	CS 06034	12	80	329,4	323,48	CS 06080	25
35	147,6	141,68	CS 06035	12	85	349,7	343,70	CS 06085	25
36	151,7	145,72	CS 06036	16	90	369,9	363,90	CS 06090	25
37	155,7	149,76	CS 06037	16	100	410,3	404,31	CS 06100	25
38	159,8	153,80	CS 06038	16	110	450,7	444,74	CS 06110	25
39	163,8	157,83	CS 06039	16	114	466,9	460,90	CS 06114	25
40	167,8	161,87	CS 06040	16	120	491,2	485,16	CS 06120	25
41	171,4	165,91	CS 06041	16	125	511,4	505,37	CS 06125	25
42	175,4	169,95	CS 06042	16					
43	179,5	173,99	CS 06043	16					



## Corone - Plate wheels Kettenradscheiben - Disques - Discos

Corone per catene semplici, a rulli secondo: DIN 8187 - ISO/R 606  
 Plate wheels for simplex chain to: DIN 8187 - ISO/R 606  
 Kettenradscheiben für Simplex-Rollenkette nach: DIN 8187 - ISO/R 606  
 Disques pour chaînes simples à rouleaux suivant les normes: DIN 8187 - ISO/R 606  
 Discos para cadena simple de rodillos según: DIN 8187 - ISO/R 606



**1/2" x 3/16"**

**083 - 1/084 - 1 12,7 x 4,88 mm**

CATENA:	CHAIN:	KETTE:	CHAÎNE:	CADENA:	ISO
Passo	Pitch	Teilung	Pas	Paso	12,7
Larghezza interna	Internal width	Innere Breite	Largeur interieure	Ancho interno	4,88
Rullo ø	Roller ø	Rollen ø	ø du rouleau	Rodillo ø	7,75

CORONE	PLATE WHEELS	KETTENRADSCHIEBEN	DISQUES	DISCOS	ISO
Raggio dente r	Tooth radius r	Radius r	Rayon de denture r	Radio diente r	r 13
Larghezza raggio C	Radius width C	Breite C	Largeur de rayon C	Ancho radio C	C 1,3
Largh. dente h <sub>1</sub>	Tooth width h <sub>1</sub>	Zahnbreite h <sub>1</sub>	Larg. de denture h <sub>1</sub>	Ancho diente h <sub>1</sub>	h <sub>1</sub> 4,5
Largh. dente L	Tooth width L	Zahnbreite L	Larg. de denture L	Ancho diente L	L -
Largh. dente h <sub>2</sub>	Tooth width h <sub>2</sub>	Zahnbreite h <sub>2</sub>	Larg. de denture h <sub>2</sub>	Ancho diente h <sub>2</sub>	h <sub>2</sub> -
Largh. dente h <sub>3</sub>	Tooth width h <sub>3</sub>	Zahnbreite h <sub>3</sub>	Larg. de denture h <sub>3</sub>	Ancho diente h <sub>3</sub>	h <sub>3</sub> -
Altezza totale H	Full height H	Gesamt Höhe H	Hauteur totale H	Altura total H	H -

Corone tornite sui lati, dentate con creatore  
 Plate Wheels turned on both sides and  
 toothed by milling cutter  
 Seitlich plan gedrehte, wälzgefräste  
 Zahnkränze  
 Disques tournés sur les flancs, dentés à la  
 fraise  
 Discos torneadas en los lados, dientes  
 obtenidos con fresa madre

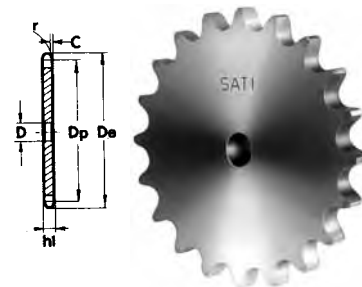
A partire da Z = 90 il disco ruota viene maggiorato, H = 6 mm - From Z = 90 the width of the plate is increased, H = 6 mm - Ab Zähnezahl Z = 90 beträgt die Scheibendicke H = 6 mm - A partir de Z = 90 l'épaisseur du disque est augmenté H = 6 mm - A partir de Z = 90 el disco rueda para cadena queda aumentado, H = 6 mm

Z	De	Dp	CS		Z	De	Dp	CS	
			cod.	D				cod.	D
8	38,5	33,18	CS 07008	8	44	183,5	178,03	CS 07044	16
9	41,5	37,13	CS 07009	8	45	187,5	182,07	CS 07045	16
10	46,2	41,10	CS 07010	8	46	191,6	186,10	CS 07046	20
11	49,6	45,07	CS 07011	8	47	195,6	190,14	CS 07047	20
12	53,9	49,07	CS 07012	8	48	199,7	194,18	CS 07048	20
13	58,4	53,06	CS 07013	8	49	203,7	198,22	CS 07049	20
14	62,8	57,07	CS 07014	8	50	207,8	202,26	CS 07050	20
15	66,8	61,09	CS 07015	8	51	211,8	206,30	CS 07051	20
16	70,9	65,10	CS 07016	10	52	215,9	210,34	CS 07052	20
17	74,9	69,11	CS 07017	10	53	219,9	214,37	CS 07053	20
18	78,9	73,14	CS 07018	10	54	224,0	218,43	CS 07054	20
19	82,9	77,16	CS 07019	10	55	228,0	222,46	CS 07055	20
20	86,9	81,19	CS 07020	10	56	232,1	226,50	CS 07056	20
21	91,0	85,22	CS 07021	10	57	236,1	230,54	CS 07057	20
22	95,0	89,24	CS 07022	10	58	240,2	234,58	CS 07058	20
23	99,0	93,27	CS 07023	10	59	244,2	238,62	CS 07059	20
24	103,0	97,29	CS 07024	10	60	248,2	242,66	CS 07060	20
25	107,1	101,33	CS 07025	10	62	256,7	250,76	CS 07062	20
26	111,2	105,36	CS 07026	12	64	264,3	258,82	CS 07064	20
27	115,4	109,40	CS 07027	12	65	268,8	262,86	CS 07065	20
28	119,4	113,42	CS 07028	12	66	272,9	266,90	CS 07066	25
29	123,4	117,46	CS 07029	12	68	280,9	274,99	CS 07068	25
30	127,5	121,50	CS 07030	12	70	289,0	283,07	CS 07070	25
31	131,5	125,54	CS 07031	12	72	297,1	291,16	CS 07072	25
32	135,5	129,56	CS 07032	12	76	313,3	307,33	CS 07076	25
33	139,6	133,60	CS 07033	12	78	321,4	315,40	CS 07078	25
34	143,6	137,64	CS 07034	12	80	329,4	323,48	CS 07080	25
35	147,6	141,68	CS 07035	12	85	349,7	343,70	CS 07085	25
36	151,7	145,72	CS 07036	16	90	369,9	363,90	CS 07090	25
37	155,7	149,76	CS 07037	16	100	410,3	404,31	CS 07100	25
38	159,8	153,80	CS 07038	16	110	450,7	444,74	CS 07110	25
39	163,8	157,83	CS 07039	16	114	466,9	460,90	CS 07114	25
40	167,8	161,87	CS 07040	16	120	491,2	485,16	CS 07120	25
41	171,4	165,91	CS 07041	16	125	511,4	505,37	CS 07125	25
42	175,4	169,95	CS 07042	16					
43	179,5	173,99	CS 07043	16					

## Corone - Plate wheels Kettenradscheiben - Disques - Discos



Corone per catene semplici, a rulli secondo: DIN 8187 - ISO/R 606  
 Plate wheels for simplex chain to: DIN 8187 - ISO/R 606  
 Kettenradscheiben für Simplex-Rollenkette nach: DIN 8187 - ISO/R 606  
 Disques pour chaînes simples à rouleaux suivant les normes: DIN 8187 - ISO/R 606  
 Discos para cadena simple de rodillos según: DIN 8187 - ISO/R 606



### 1/2" x 1/4"

085-1 12,7 x 6,4 x 7,75 mm

CATENA:	CHAIN:	KETTE:	CHAÎNE:	CADENA:	ISO
Passo	Pitch	Teilung	Pas	Paso	12,7
Larghezza interna	Internal width	Innere Breite	Largeur interieure	Ancho interno	6,4
Rullo $\varnothing$	Roller $\varnothing$	Rollen $\varnothing$	$\varnothing$ du rouleau	Rodillo $\varnothing$	7,75

CORONE	PLATE WHEELS	KETTENRADSCHIEBEN	DISQUES	DISCOS	ISO
Raggio dente r	Tooth radius r	Radius r	Rayon de denture r	Radio diente r	r 13
Larghezza raggio C	Radius width C	Breite C	Largeur de rayon C	Ancho radio C	C 1,3
Largh. dente $h_1$	Tooth width $h_1$	Zahnbreite $h_1$	Larg. de denture $h_1$	Ancho diente $h_1$	$h_1$ 5,9
Largh. dente L	Tooth width L	Zahnbreite L	Larg. de denture L	Ancho diente L	L -
Largh. dente $h_2$	Tooth width $h_2$	Zahnbreite $h_2$	Larg. de denture $h_2$	Ancho diente $h_2$	$h_2$ -
Largh. dente $h_3$	Tooth width $h_3$	Zahnbreite $h_3$	Larg. de denture $h_3$	Ancho diente $h_3$	$h_3$ -
Altezza totale H	Full height H	Gesamt Höhe H	Hauteur totale H	Altura total H	H -

Corone tornite sui lati, dentate con creatore  
 Plate Wheels turned on both sides and  
 toothed by milling cutter  
 Seitlich plan gedrehte, wälzgefräste  
 Zahnkränze  
 Disques tournés sur les flancs, dentés à la  
 fraise  
 Discos torneadas en los lados, dientes  
 obtenidos con fresa madre

Z	$D_e$	$D_p$	CS		Z	$D_e$	$D_p$	CS	
			cod.	D				cod.	D
8	38,5	33,18	CS 08008	8	44	183,5	178,03	CS 08044	16
9	41,5	37,13	CS 08009	8	45	187,5	182,07	CS 08045	16
10	46,2	41,10	CS 08010	8	46	191,6	186,10	CS 08046	20
11	49,6	45,07	CS 08011	8	47	195,6	190,14	CS 08047	20
12	53,9	49,07	CS 08012	8	48	199,7	194,18	CS 08048	20
13	58,4	53,06	CS 08013	8	49	203,7	198,22	CS 08049	20
14	62,8	57,07	CS 08014	8	50	207,8	202,26	CS 08050	20
15	66,8	61,09	CS 08015	8	51	211,8	206,30	CS 08051	20
16	70,9	65,10	CS 08016	10	52	215,9	210,34	CS 08052	20
17	74,9	69,11	CS 08017	10	53	219,9	214,37	CS 08053	20
18	78,9	73,14	CS 08018	10	54	224,0	218,43	CS 08054	20
19	82,9	77,16	CS 08019	10	55	228,0	222,46	CS 08055	20
20	86,9	81,19	CS 08020	10	56	232,1	226,50	CS 08056	20
21	91,0	85,22	CS 08021	10	57	236,1	230,54	CS 08057	20
22	95,0	89,24	CS 08022	10	58	240,2	234,58	CS 08058	20
23	99,0	93,27	CS 08023	10	59	244,2	238,62	CS 08059	20
24	103,0	97,29	CS 08024	10	60	248,2	242,66	CS 08060	20
25	107,1	101,33	CS 08025	10	62	256,7	250,75	CS 08062	20
26	111,2	105,36	CS 08026	12	64	264,8	258,82	CS 08064	20
27	115,4	109,40	CS 08027	12	65	268,8	262,86	CS 08065	20
28	119,4	113,42	CS 08028	12	66	272,9	266,90	CS 08066	25
29	123,4	117,46	CS 08029	12	68	280,9	274,99	CS 08068	25
30	127,5	121,50	CS 08030	12	70	289,0	283,07	CS 08070	25
31	131,5	125,54	CS 08031	12	72	297,1	291,16	CS 08072	25
32	135,5	129,56	CS 08032	12	76	313,3	307,33	CS 08076	25
33	139,6	133,60	CS 08033	12	78	321,4	315,40	CS 08078	25
34	143,6	137,64	CS 08034	12	80	329,4	323,48	CS 08080	25
35	147,6	141,68	CS 08035	12	85	349,7	343,70	CS 08085	25
36	151,7	145,72	CS 08036	16	90	369,9	363,90	CS 08090	25
37	155,7	149,76	CS 08037	16	100	410,3	404,31	CS 08100	25
38	159,8	153,80	CS 08038	16	110	450,7	444,74	CS 08110	25
39	163,8	157,83	CS 08039	16	114	466,9	460,90	CS 08114	25
40	167,8	161,87	CS 08040	16	120	491,2	485,16	CS 08120	25
41	171,4	165,91	CS 08041	16	125	511,4	505,37	CS 08125	25
42	175,4	169,95	CS 08042	16					
43	179,5	173,99	CS 08043	16					



## Corone - Plate wheels Kettenradscheiben - Disques - Discos

Corone per catene semplici, a rulli secondo: DIN 8187 - ISO/R 606

Plate wheels for simplex chain to: DIN 8187 - ISO/R 606

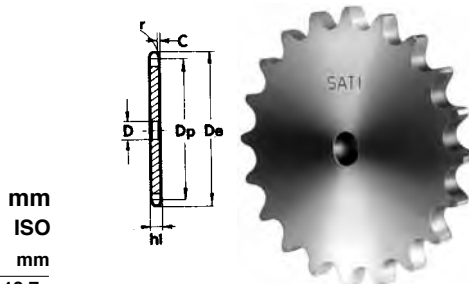
Kettenradscheiben für Simplex-Rollenkette nach: DIN 8187 - ISO/R 606

Disques pour chaînes simples à rouleaux suivant les normes: DIN 8187 - ISO/R 606

Discos para cadena simple de rodillos según: DIN 8187 - ISO/R 606

### 1/2" x 1/4"

085-1 12,7 x 6,4 x 8,51 mm



CATENA:	CHAIN:	KETTE:	CHAÎNE:	CADENA:	ISO
Passo	Pitch	Teilung	Pas	Paso	12,7
Larghezza interna	Internal width	Innere Breite	Largeur interieure	Ancho interno	6,4
Rullo $\varnothing$	Roller $\varnothing$	Rollen $\varnothing$	$\varnothing$ du rouleau	Rodillo $\varnothing$	8,51

CORONE	PLATE WHEELS	KETTENRADSCHIEBEN	DISQUES	DISCOS	ISO
Raggio dente r	Tooth radius r	Radius r	Rayon de denture r	Radio diente r	r 13
Larghezza raggio C	Radius width C	Breite C	Largeur de rayon C	Ancho radio C	C 1,3
Largh. dente $h_1$	Tooth width $h_1$	Zahnbreite $h_1$	Larg. de denture $h_1$	Ancho diente $h_1$	$h_1$ 5,9
Largh. dente L	Tooth width L	Zahnbreite L	Larg. de denture L	Ancho diente L	L -
Largh. dente $h_2$	Tooth width $h_2$	Zahnbreite $h_2$	Larg. de denture $h_2$	Ancho diente $h_2$	$h_2$ -
Largh. dente $h_3$	Tooth width $h_3$	Zahnbreite $h_3$	Larg. de denture $h_3$	Ancho diente $h_3$	$h_3$ -
Altezza totale H	Full height H	Gesamt Höhe H	Hauteur totale H	Altura total H	H -

Corone tornite sui lati, dentate con creatore  
Plate Wheels turned on both sides and  
toothed by milling cutter  
Seitlich plan gedrehte, wälzgefräste  
Zahnkränze  
Disques tournés sur les flancs, dentés à la  
fraise  
Discos torneadas en los lados, dientes  
obtenidos con fresa madre

Z	$D_e$	$D_p$	CS		Z	$D_e$	$D_p$	CS	
			cod.	D				cod.	D
8	37,2	33,18	CS 17008	8	44	183,8	178,03	CS 17044	16
9	41,0	37,13	CS 17009	8	45	188,0	182,07	CS 17045	16
10	45,2	41,10	CS 17010	8	46	192,1	186,10	CS 17046	20
11	48,7	45,07	CS 17011	8	47	196,2	190,14	CS 17047	20
12	53,0	49,07	CS 17012	8	48	200,3	194,18	CS 17048	20
13	57,4	53,06	CS 17013	8	49	204,3	198,22	CS 17049	20
14	61,8	57,07	CS 17014	8	50	208,3	202,26	CS 17050	20
15	65,5	61,09	CS 17015	8	51	212,1	206,30	CS 17051	20
16	69,5	65,10	CS 17016	10	52	216,1	210,34	CS 17052	20
17	73,6	69,11	CS 17017	10	53	220,2	214,37	CS 17053	20
18	77,8	73,14	CS 17018	10	54	224,1	218,43	CS 17054	20
19	81,7	77,16	CS 17019	10	55	228,1	222,46	CS 17055	20
20	85,8	81,19	CS 17020	10	56	232,2	226,50	CS 17056	20
21	89,7	85,22	CS 17021	10	57	236,4	230,54	CS 17057	20
22	93,8	89,24	CS 17022	10	58	240,5	234,58	CS 17058	20
23	98,2	93,27	CS 17023	10	59	244,5	238,62	CS 17059	20
24	101,8	97,29	CS 17024	10	60	248,6	242,66	CS 17060	20
25	105,8	101,33	CS 17025	10	62	256,9	250,75	CS 17062	20
26	110,0	105,36	CS 17026	12	64	265,1	258,82	CS 17064	20
27	114,0	109,40	CS 17027	12	65	269,0	262,86	CS 17065	20
28	118,0	113,42	CS 17028	12	66	273,0	266,90	CS 17066	25
29	122,0	117,46	CS 17029	12	68	281,0	274,99	CS 17068	25
30	126,1	121,50	CS 17030	12	70	289,0	283,07	CS 17070	25
31	130,2	125,54	CS 17031	12	72	297,2	291,16	CS 17072	25
32	134,2	129,56	CS 17032	12	76	313,3	307,33	CS 17076	25
33	138,4	133,60	CS 17033	12	78	321,4	315,40	CS 17078	25
34	142,6	137,64	CS 17034	12	80	329,4	323,48	CS 17080	25
35	146,7	141,68	CS 17035	12	85	349,0	343,70	CS 17085	25
36	151,0	145,72	CS 17036	16	90	369,9	363,90	CS 17090	25
37	154,6	149,76	CS 17037	16	100	410,3	404,31	CS 17100	25
38	158,6	153,80	CS 17038	16	110	450,7	444,74	CS 17110	25
39	162,7	157,83	CS 17039	16	114	466,9	460,90	CS 17114	25
40	166,8	161,87	CS 17040	16	120	491,2	485,16	CS 17120	25
41	171,4	165,91	CS 17041	16	125	511,3	505,37	CS 17125	25
42	175,4	169,95	CS 17042	16					
43	179,7	173,99	CS 17043	16					

## Corone - Plate wheels Kettenradscheiben - Disques - Discos



Corone per catene semplici, doppie e triple a rulli secondo: DIN 8187 - ISO/R 606

Plate wheels for simplex, duplex and triplex chain to: DIN 8187 - ISO/R 606

Kettenradscheiben mit einseitiger Nabe für Simplex- Duplex-Triplex-Rollenkette nach:

DIN 8187 - ISO/R 606

Disques avec moyeu déporté pour chaînes simples, doubles et triples à rouleaux suivant les

normes: DIN 8187 - ISO/R 606

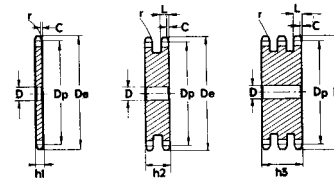
Discos para cadena simple, doble y triple de rodillos según las normas: DIN 8187 - ISO/R 606



### 1/2" x 5/16"

08B - 1-2-3 12,7 x 7,75 mm

CATENA:	CHAIN:	KETTE:	CHAÎNE:	CADENA:	ISO mm
Passo	Pitch	Teilung	Pas	Paso	12,7
Larghezza interna	Internal width	Innere Breite	Largeur interieure	Ancho interno	7,75
Rullo ø	Roller ø	Rollen ø	ø du rouleau	Rodillo ø	8,51



CORONE	PLATE WHEELS	KETTENRADSCHIEBEN	DISQUES	DISCOS	ISO mm
Raggio dente r	Tooth radius r	Radius r	Rayon de denture r	Radio diente r	r 13
Larghezza raggio C	Radius width C	Breite C	Largeur de rayon C	Ancho radio C	C 1,3
Largh. dente h <sub>1</sub>	Tooth width h <sub>1</sub>	Zahnbreite h <sub>1</sub>	Larg. de denture h <sub>1</sub>	Ancho diente h <sub>1</sub>	h <sub>1</sub> 7,2
Largh. dente L	Tooth width L	Zahnbreite L	Larg. de denture L	Ancho diente L	L 7
Largh. dente h <sub>2</sub>	Tooth width h <sub>2</sub>	Zahnbreite h <sub>2</sub>	Larg. de denture h <sub>2</sub>	Ancho diente h <sub>2</sub>	h <sub>2</sub> 21
Largh. dente h <sub>3</sub>	Tooth width h <sub>3</sub>	Zahnbreite h <sub>3</sub>	Larg. de denture h <sub>3</sub>	Ancho diente h <sub>3</sub>	h <sub>3</sub> 34,9
Altezza totale H	Full height H	Gesamt Höhe H	Hauteur totale H	Altura total H	H -

Corone tornite sui lati, dentate con creatore  
Plate Wheels turned on both sides and  
toothed by milling cutter  
Seitlich plan gedrehte, wälzgefräste  
Zahnkränze  
Disques tournés sur les flancs, dentés à la  
fraise  
Discos torneadas en los lados, dientes  
obtenidos con fresa madre

Z	D <sub>e</sub>	D <sub>p</sub>	CS		CD		CT		Z	D <sub>e</sub>	D <sub>p</sub>	CS		CD		CT	
			cod.	D	cod.	D	cod.	D				cod.	D	cod.	D	cod.	D
8	37,2	33,18	CS 09008	8	CD 09008	10	CT 09008	10	44	183,8	178,03	CS 09044	20	CD 09044	20	CT 09044	25
9	41,0	37,13	CS 09009	8	CD 09009	10	CT 09009	10	45	188,0	182,07	CS 09045	20	CD 09045	20	CT 09045	25
10	45,2	41,10	CS 09010	8	CD 09010	10	CT 09010	10	46	192,1	186,10	CS 09046	20	CD 09046	20	CT 09046	25
11	48,7	45,07	CS 09011	10	CD 09011	10	CT 09011	12	47	196,2	190,14	CS 09047	20	CD 09047	20	CT 09047	25
12	53,0	49,07	CS 09012	10	CD 09012	10	CT 09012	12	48	200,3	194,18	CS 09048	20	CD 09048	20	CT 09048	25
13	57,4	53,06	CS 09013	10	CD 09013	10	CT 09013	12	49	204,3	198,22	CS 09049	20	CD 09049	20	CT 09049	25
14	61,8	57,07	CS 09014	10	CD 09014	10	CT 09014	12	50	208,3	202,26	CS 09050	20	CD 09050	20	CT 09050	25
15	65,5	61,09	CS 09015	10	CD 09015	10	CT 09015	12	51	212,1	206,30	CS 09051	20	CD 09051	25	CT 09051	25
16	69,5	65,10	CS 09016	10	CD 09016	12	CT 09016	16	52	216,1	210,34	CS 09052	20	CD 09052	25	CT 09052	25
17	73,6	69,11	CS 09017	10	CD 09017	12	CT 09017	16	53	220,2	214,37	CS 09053	20	CD 09053	25	CT 09053	25
18	77,8	73,14	CS 09018	10	CD 09018	12	CT 09018	16	54	224,1	218,43	CS 09054	20	CD 09054	25	CT 09054	25
19	81,7	77,16	CS 09019	10	CD 09019	12	CT 09019	16	55	228,1	222,46	CS 09055	20	CD 09055	25	CT 09055	25
20	85,8	81,19	CS 09020	10	CD 09020	12	CT 09020	16	56	232,2	226,50	CS 09056	20	CD 09056	25	CT 09056	25
21	89,7	85,22	CS 09021	12	CD 09021	16	CT 09021	16	57	236,4	230,54	CS 09057	20	CD 09057	25	CT 09057	25
22	93,8	89,24	CS 09022	12	CD 09022	16	CT 09022	16	58	240,5	234,58	CS 09058	20	CD 09058	25	CT 09058	25
23	98,2	93,27	CS 09023	12	CD 09023	16	CT 09023	16	59	244,5	238,62	CS 09059	20	CD 09059	25	CT 09059	25
24	101,8	97,29	CS 09024	12	CD 09024	16	CT 09024	16	60	248,6	242,66	CS 09060	20	CD 09060	25	CT 09060	25
25	105,8	101,33	CS 09025	12	CD 09025	16	CT 09025	16	62	256,9	250,75	CS 09062	25	CD 09062	25	CT 09062	25
26	110,0	105,36	CS 09026	16	CD 09026	16	CT 09026	16	64	265,1	258,82	CS 09064	25	CD 09064	25	CT 09064	25
27	114,0	109,40	CS 09027	16	CD 09027	16	CT 09027	16	65	269,0	262,86	CS 09065	25	CD 09065	25	CT 09065	25
28	118,0	113,42	CS 09028	16	CD 09028	16	CT 09028	16	66	273,0	266,90	CS 09066	25	CD 09066	25	CT 09066	25
29	122,0	117,46	CS 09029	16	CD 09029	16	CT 09029	16	68	281,0	274,99	CS 09068	25	CD 09068	25	CT 09068	25
30	126,1	121,50	CS 09030	16	CD 09030	16	CT 09030	16	70	289,0	283,07	CS 09070	25	CD 09070	25	CT 09070	25
31	130,2	125,54	CS 09031	16	CD 09031	16	CT 09031	20	72	297,2	291,16	CS 09072	25	CD 09072	25	CT 09072	25
32	134,3	129,56	CS 09032	16	CD 09032	16	CT 09032	20	75	309,2	303,27	CS 09075	25	CD 09075	25	CT 09075	25
33	138,4	133,60	CS 09033	16	CD 09033	16	CT 09033	20	76	313,3	307,33	CS 09076	25	CD 09076	25	CT 09076	25
34	142,6	137,64	CS 09034	16	CD 09034	16	CT 09034	20	78	321,4	315,40	CS 09078	25	CD 09078	25	CT 09078	25
35	146,7	141,68	CS 09035	16	CD 09035	16	CT 09035	20	80	329,4	323,48	CS 09080	25	CD 09080	25	CT 09080	25
36	151,0	145,72	CS 09036	16	CD 09036	20	CT 09036	20	85	349,0	343,69	CS 09085	25	CD 09085	25	CT 09085	25
37	154,6	149,76	CS 09037	16	CD 09037	20	CT 09037	20	90	369,9	363,90	CS 09090	25	CD 09090	25	CT 09090	25
38	158,6	153,80	CS 09038	16	CD 09038	20	CT 09038	20	95	390,1	384,11	CS 09095	25	CD 09095	25	CT 09095	25
39	162,7	157,83	CS 09039	16	CD 09039	20	CT 09039	20	100	410,3	404,31	CS 09100	25	CD 09100	25	CT 09100	25
40	166,8	161,87	CS 09040	16	CD 09040	20	CT 09040	20	110	450,7	444,74	CS 09110	25	CD 09110	25	CT 09110	25
41	171,4	165,91	CS 09041	20	CD 09041	20	CT 09041	25	114	466,9	460,90	CS 09114	25	CD 09114	25	CT 09114	25
42	175,4	169,95	CS 09042	20	CD 09042	20	CT 09042	25	120	491,2	485,16	CS 09120	25	CD 09120	25	CT 09120	25
43	179,7	173,99	CS 09043	20	CD 09043	20	CT 09043	25	125	511,3	505,37	CS 09125	25	CD 09125	25	CT 09125	25



## Corone - Plate wheels Kettenradscheiben - Disques - Discos

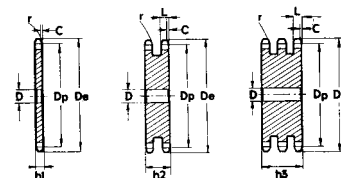
Corone per catene semplici, doppie e triple a rulli secondo: DIN 8187 - ISO/R 606  
 Plate wheels for simplex, duplex and triplex chain to: DIN 8187 - ISO/R 606  
 Kettenradscheiben mit einseitiger Nabe für Simplex- Duplex-Triplex-Rollenkette nach:  
 DIN 8187 - ISO/R 606  
 Disques avec moyeu déporté pour chaînes simples, doubles et triples à rouleaux suivant les  
 normes: DIN 8187 - ISO/R 606  
 Discos para cadena simple, doble y triple de rodillos según las normas: DIN 8187 - ISO/R 606



**5/8" x 3/8"**

**10B - 1-2-3 15,875 x 9,65 mm**

CATENA:	CHAIN:	KETTE:	CHAÎNE:	CADENA:	ISO mm
Passo	Pitch	Teilung	Pas	Paso	15,875
Larghezza interna	Internal width	Innere Breite	Largeur interieure	Ancho interno	9,65
Rullo ø	Roller ø	Rollen ø	ø du rouleau	Rodillo ø	10,16



CORONE	PLATE WHEELS	KETTENRADSCHIEBEN	DISQUES	DISCOS	ISO mm
Raggio dente r	Tooth radius r	Radius r	Rayon de denture r	Radio diente r	r 16
Larghezza raggio C	Radius width C	Breite C	Largeur de rayon C	Ancho radio C	C 1,6
Largh. dente h <sub>1</sub>	Tooth width h <sub>1</sub>	Zahnbreite h <sub>1</sub>	Larg. de denture h <sub>1</sub>	Ancho diente h <sub>1</sub>	h <sub>1</sub> 9,1
Largh. dente L	Tooth width L	Zahnbreite L	Larg. de denture L	Ancho diente L	L 9
Largh. dente h <sub>2</sub>	Tooth width h <sub>2</sub>	Zahnbreite h <sub>2</sub>	Larg. de denture h <sub>2</sub>	Ancho diente h <sub>2</sub>	h <sub>2</sub> 25,5
Largh. dente h <sub>3</sub>	Tooth width h <sub>3</sub>	Zahnbreite h <sub>3</sub>	Larg. de denture h <sub>3</sub>	Ancho diente h <sub>3</sub>	h <sub>3</sub> 42,1
Altezza totale H	Full height H	Gesamt Höhe H	Hauteur totale H	Altura total H	H -

Corone tornite sui lati, dentate con creatore  
 Plate Wheels turned on both sides and  
 toothed by milling cutter  
 Seitlich plan gedrehte, wälzgefräste  
 Zahnkränze  
 Disques tournés sur les flancs, dentés à la  
 fraise  
 Discos torneadas en los lados, dientes  
 obtenidos con fresa madre

Z	D <sub>e</sub>	D <sub>p</sub>	CS		CD		CT		Z	D <sub>e</sub>	D <sub>p</sub>	CS		CD		CT	
			cod.	D	cod.	D	cod.	D				cod.	D	cod.	D	cod.	D
8	47,0	41,48	CS 10008	10	CD 10008	10	CT 10008	12	44	230,0	222,53	CS 10044	20	CD 10044	20	CT 10044	25
9	52,6	46,42	CS 10009	10	CD 10009	10	CT 10009	12	45	235,0	227,58	CS 10045	20	CD 10045	20	CT 10045	25
10	57,5	51,37	CS 10010	10	CD 10010	10	CT 10010	12	46	240,1	232,63	CS 10046	20	CD 10046	25	CT 10046	25
11	63,0	56,34	CS 10011	10	CD 10011	12	CT 10011	12	47	245,1	237,68	CS 10047	20	CD 10047	25	CT 10047	25
12	68,0	61,34	CS 10012	10	CD 10012	12	CT 10012	12	48	250,2	242,73	CS 10048	20	CD 10048	25	CT 10048	25
13	73,0	66,32	CS 10013	10	CD 10013	12	CT 10013	12	49	255,2	247,78	CS 10049	20	CD 10049	25	CT 10049	25
14	78,0	71,34	CS 10014	10	CD 10014	12	CT 10014	12	50	260,3	252,82	CS 10050	20	CD 10050	25	CT 10050	25
15	83,0	76,36	CS 10015	10	CD 10015	12	CT 10015	12	51	265,3	257,87	CS 10051	20	CD 10051	25	CT 10051	25
16	88,0	81,37	CS 10016	12	CD 10016	12	CT 10016	16	52	270,4	262,92	CS 10052	20	CD 10052	25	CT 10052	25
17	93,0	86,39	CS 10017	12	CD 10017	12	CT 10017	16	53	275,4	267,97	CS 10053	20	CD 10053	25	CT 10053	25
18	98,3	91,42	CS 10018	12	CD 10018	12	CT 10018	16	54	280,5	273,03	CS 10054	20	CD 10054	25	CT 10054	25
19	103,3	96,45	CS 10019	12	CD 10019	12	CT 10019	16	55	285,5	278,08	CS 10055	20	CD 10055	25	CT 10055	25
20	108,4	101,49	CS 10020	12	CD 10020	12	CT 10020	16	56	290,6	283,13	CS 10056	25	CD 10056	25	CT 10056	25
21	113,4	106,52	CS 10021	12	CD 10021	16	CT 10021	16	57	296,0	288,18	CS 10057	25	CD 10057	25	CT 10057	25
22	118,0	111,55	CS 10022	12	CD 10022	16	CT 10022	16	58	300,7	293,23	CS 10058	25	CD 10058	25	CT 10058	25
23	123,4	116,58	CS 10023	12	CD 10023	16	CT 10023	16	59	305,7	298,27	CS 10059	25	CD 10059	25	CT 10059	25
24	128,3	121,62	CS 10024	12	CD 10024	16	CT 10024	16	60	310,8	303,32	CS 10060	25	CD 10060	25	CT 10060	25
25	134,0	126,66	CS 10025	12	CD 10025	16	CT 10025	16	62	321,4	313,43	CS 10062	25	CD 10062	25	CT 10062	30
26	139,0	131,70	CS 10026	16	CD 10026	16	CT 10026	20	64	331,5	323,53	CS 10064	25	CD 10064	25	CT 10064	30
27	144,0	136,75	CS 10027	16	CD 10027	16	CT 10027	20	65	336,5	328,58	CS 10065	25	CD 10065	25	CT 10065	30
28	148,7	141,78	CS 10028	16	CD 10028	16	CT 10028	20	66	341,6	333,63	CS 10066	25	CD 10066	25	CT 10066	30
29	153,8	146,83	CS 10029	16	CD 10029	16	CT 10029	20	68	351,7	343,74	CS 10068	25	CD 10068	25	CT 10068	30
30	158,8	151,87	CS 10030	16	CD 10030	16	CT 10030	20	70	361,8	353,84	CS 10070	25	CD 10070	25	CT 10070	30
31	163,9	156,92	CS 10031	16	CD 10031	20	CT 10031	20	72	371,9	363,95	CS 10072	25	CD 10072	25	CT 10072	30
32	168,9	161,95	CS 10032	16	CD 10032	20	CT 10032	20	75	387,1	379,09	CS 10075	25	CD 10075	25	CT 10075	30
33	174,5	167,00	CS 10033	16	CD 10033	20	CT 10033	20	76	392,1	384,16	CS 10076	25	CD 10076	25	CT 10076	30
34	179,0	172,05	CS 10034	16	CD 10034	20	CT 10034	20	78	402,2	394,25	CS 10078	25	CD 10078	25	CT 10078	30
35	184,1	177,10	CS 10035	16	CD 10035	20	CT 10035	20	80	412,3	404,35	CS 10080	25	CD 10080	25	CT 10080	30
36	189,1	182,15	CS 10036	20	CD 10036	20	CT 10036	25	85	437,6	429,62	CS 10085	30	CD 10085	30	CT 10085	30
37	194,2	187,20	CS 10037	20	CD 10037	20	CT 10037	25	90	462,8	454,88	CS 10090	30	CD 10090	30	CT 10090	30
38	199,2	192,24	CS 10038	20	CD 10038	20	CT 10038	25	95	488,5	480,14	CS 10095	30	CD 10095	30	CT 10095	30
39	204,2	197,29	CS 10039	20	CD 10039	20	CT 10039	25	100	513,4	505,40	CS 10100	30	CD 10100	30	CT 10100	30
40	209,3	202,34	CS 10040	20	CD 10040	20	CT 10040	25	110	563,9	555,92	CS 10110	30	CD 10110	30	CT 10110	30
41	214,8	207,39	CS 10041	20	CD 10041	20	CT 10041	25	114	584,1	576,13	CS 10114	30	CD 10114	30	CT 10114	30
42	219,9	212,44	CS 10042	20	CD 10042	20	CT 10042	25	120	614,8	606,44	CS 10120	30	CD 10120	30	CT 10120	30
43	224,9	217,49	CS 10043	20	CD 10043	20	CT 10043	25	125	639,7	631,71	CS 10125	30	CD 10125	30	CT 10125	30

## Corone - Plate wheels Kettenradscheiben - Disques - Discos



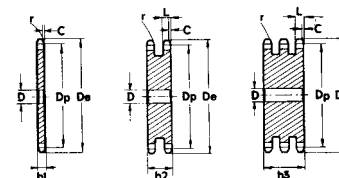
Corone per catene semplici, doppie e triple a rulli secondo: DIN 8187 - ISO/R 606  
 Plate wheels for simplex, duplex and triplex chain to: DIN 8187 - ISO/R 606  
 Kettenradscheiben mit einseitiger Nabe für Simplex- Duplex-Triplex-Rollenkette nach:  
 DIN 8187 - ISO/R 606  
 Disques avec moyeu déporté pour chaînes simples, doubles et triples à rouleaux suivant les  
 normes: DIN 8187 - ISO/R 606  
 Discos para cadena simple, doble y triple de rodillos según las normas: DIN 8187 - ISO/R 606



### 3/4" x 7/16"

12B - 1-2-3 19,05 x 11,68 mm

CATENA:	CHAIN:	KETTE:	CHAÎNE:	CADENA:	ISO mm
Passo	Pitch	Teilung	Pas	Paso	19,05
Larghezza interna	Internal width	Innere Breite	Largeur intérieure	Ancho interno	11,68
Rullo $\phi$	Roller $\phi$	Rollen $\phi$	$\phi$ du rouleau	Rodillo $\phi$	12,07



CORONE	PLATE WHEELS	KETTENRADSCHLEIBEN	DISQUES	DISCOS	ISO mm
Raggio dente r	Tooth radius r	Radius r	Rayon de denture r	Radio diente r	r 19
Larghezza raggio C	Radius width C	Breite C	Largeur de rayon C	Ancho radio C	C 2
Largh. dente h <sub>1</sub>	Tooth width h <sub>1</sub>	Zahnbreite h <sub>1</sub>	Larg. de denture h <sub>1</sub>	Ancho diente h <sub>1</sub>	h <sub>1</sub> 11,1
Largh. dente L	Tooth width L	Zahnbreite L	Larg. de denture L	Ancho diente L	L 10,8
Largh. dente h <sub>2</sub>	Tooth width h <sub>2</sub>	Zahnbreite h <sub>2</sub>	Larg. de denture h <sub>2</sub>	Ancho diente h <sub>2</sub>	h <sub>2</sub> 30,3
Largh. dente h <sub>3</sub>	Tooth width h <sub>3</sub>	Zahnbreite h <sub>3</sub>	Larg. de denture h <sub>3</sub>	Ancho diente h <sub>3</sub>	h <sub>3</sub> 49,8
Altezza totale H	Full height H	Gesamt Höhe H	Hauteur totale H	Altura total H	H -

Corone tornite sui lati, dentate con creatore  
 Plate Wheels turned on both sides and  
 toothed by milling cutter  
 Seitlich plan gedrehte, wälzgefräste  
 Zahnkränze  
 Disques tournés sur les flancs, dentés à la  
 fraise  
 Discos torneadas en los lados, dientes  
 obtenidos con fresa madre

Z	D <sub>e</sub>	D <sub>p</sub>	CS		CD		CT		Z	D <sub>e</sub>	D <sub>p</sub>	CS		CD		CT	
			cod.	D	cod.	D	cod.	D				cod.	D	cod.	D	cod.	D
8	57,6	49,78	CS 11008	12	CD 11008	12	CT 11008	12	44	276,5	267,03	CS 11044	25	CD 11044	25	CT 11044	25
9	62,0	55,70	CS 11009	12	CD 11009	12	CT 11009	12	45	282,5	273,10	CS 11045	25	CD 11045	25	CT 11045	25
10	69,0	61,64	CS 11010	12	CD 11010	12	CT 11010	12	46	287,9	279,16	CS 11046	25	CD 11046	25	CT 11046	25
11	75,0	67,61	CS 11011	14	CD 11011	14	CT 11011	16	47	294,0	285,21	CS 11047	25	CD 11047	25	CT 11047	25
12	81,5	73,60	CS 11012	14	CD 11012	14	CT 11012	16	48	300,1	291,27	CS 11048	25	CD 11048	25	CT 11048	25
13	87,5	79,59	CS 11013	14	CD 11013	14	CT 11013	16	49	306,2	297,33	CS 11049	25	CD 11049	25	CT 11049	25
14	93,6	85,61	CS 11014	14	CD 11014	14	CT 11014	16	50	312,3	303,39	CS 11050	25	CD 11050	25	CT 11050	25
15	99,8	91,63	CS 11015	14	CD 11015	14	CT 11015	16	51	318,4	309,45	CS 11051	25	CD 11051	25	CT 11051	25
16	105,5	97,65	CS 11016	14	CD 11016	16	CT 11016	16	52	324,5	315,50	CS 11052	25	CD 11052	25	CT 11052	25
17	111,5	103,67	CS 11017	14	CD 11017	16	CT 11017	16	53	330,5	321,56	CS 11053	25	CD 11053	25	CT 11053	25
18	118,0	109,71	CS 11018	14	CD 11018	16	CT 11018	16	54	336,6	327,64	CS 11054	25	CD 11054	25	CT 11054	25
19	124,2	115,75	CS 11019	14	CD 11019	16	CT 11019	16	55	342,7	333,70	CS 11055	25	CD 11055	25	CT 11055	25
20	129,7	121,78	CS 11020	14	CD 11020	16	CT 11020	16	56	348,7	339,75	CS 11056	25	CD 11056	25	CT 11056	30
21	136,0	127,82	CS 11021	16	CD 11021	16	CT 11021	20	57	355,4	345,81	CS 11057	25	CD 11057	25	CT 11057	30
22	141,8	133,86	CS 11022	16	CD 11022	16	CT 11022	20	58	361,5	351,87	CS 11058	25	CD 11058	25	CT 11058	30
23	149,0	139,90	CS 11023	16	CD 11023	16	CT 11023	20	59	367,5	357,93	CS 11059	25	CD 11059	25	CT 11059	30
24	153,9	145,94	CS 11024	16	CD 11024	16	CT 11024	20	60	373,0	363,99	CS 11060	25	CD 11060	25	CT 11060	30
25	160,0	152,00	CS 11025	16	CD 11025	16	CT 11025	20	62	385,1	376,12	CS 11062	25	CD 11062	30	CT 11062	30
26	165,9	158,04	CS 11026	16	CD 11026	20	CT 11026	20	64	397,2	388,24	CS 11064	25	CD 11064	30	CT 11064	30
27	172,3	164,09	CS 11027	16	CD 11027	20	CT 11027	20	65	403,2	394,29	CS 11065	25	CD 11065	30	CT 11065	30
28	178,0	170,13	CS 11028	16	CD 11028	20	CT 11028	20	66	409,2	400,35	CS 11066	30	CD 11066	30	CT 11066	30
29	184,1	176,19	CS 11029	16	CD 11029	20	CT 11029	20	68	421,4	412,49	CS 11068	30	CD 11068	30	CT 11068	30
30	190,5	182,25	CS 11030	16	CD 11030	20	CT 11030	20	70	433,6	424,60	CS 11070	30	CD 11070	30	CT 11070	30
31	196,3	188,31	CS 11031	20	CD 11031	20	CT 11031	25	72	447,0	436,74	CS 11072	30	CD 11072	30	CT 11072	30
32	203,3	194,35	CS 11032	20	CD 11032	20	CT 11032	25	75	463,9	454,91	CS 11075	30	CD 11075	30	CT 11075	30
33	209,3	200,40	CS 11033	20	CD 11033	20	CT 11033	25	76	469,9	460,99	CS 11076	30	CD 11076	30	CT 11076	30
34	214,6	206,46	CS 11034	20	CD 11034	20	CT 11034	25	78	482,1	473,10	CS 11078	30	CD 11078	30	CT 11078	30
35	221,0	212,52	CS 11035	20	CD 11035	20	CT 11035	25	80	494,2	485,22	CS 11080	30	CD 11080	30	CT 11080	30
36	226,8	218,58	CS 11036	20	CD 11036	25	CT 11036	25	85	524,5	515,55	CS 11085	30	CD 11085	30	CT 11085	30
37	232,9	224,64	CS 11037	20	CD 11037	25	CT 11037	25	90	554,8	545,86	CS 11090	30	CD 11090	30	CT 11090	30
38	239,0	230,69	CS 11038	20	CD 11038	25	CT 11038	25	95	585,1	576,17	CS 11095	30	CD 11095	30	CT 11095	30
39	245,1	236,75	CS 11039	20	CD 11039	25	CT 11039	25	100	615,4	606,47	CS 11100	30	CD 11100	30	CT 11100	30
40	251,3	242,81	CS 11040	20	CD 11040	25	CT 11040	25	110	676,1	667,11	CS 11110	30	CD 11110	30	CT 11110	30
41	257,3	248,87	CS 11041	25	CD 11041	25	CT 11041	25	114	700,6	691,36	CS 11114	30	CD 11114	30	CT 11114	30
42	264,5	254,93	CS 11042	25	CD 11042	25	CT 11042	25	120	736,7	727,74	CS 11120	30	CD 11120	30	CT 11120	30
43	270,5	260,98	CS 11043	25	CD 11043	25	CT 11043	25	125	767,0	758,05	CS 11125	30	CD 11125	30	CT 11125	30





## Corone - Plate wheels Kettenradscheiben - Disques - Discos

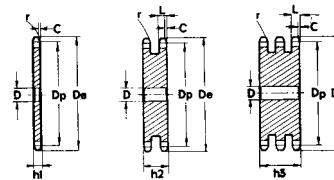
Corone per catene semplici, doppie e triple a rulli secondo: DIN 8187 - ISO/R 606  
 Plate wheels for simplex, duplex and triplex chain to: DIN 8187 - ISO/R 606  
 Kettenradscheiben mit einseitiger Nabe für Simplex- Duplex-Triplex-Rollenkette nach:  
 DIN 8187 - ISO/R 606  
 Disques avec moyeu déporté pour chaînes simples, doubles et triples à rouleaux suivant les  
 normes: DIN 8187 - ISO/R 606  
 Discos para cadena simple, doble y triple de rodillos según las normas: DIN 8187 - ISO/R 606



**1" x 17,02 mm**

**16B - 1-2-3 25,4 x 17,02 mm**

CATENA:	CHAIN:	KETTE:	CHAÎNE:	CADENA:	ISO mm
Passo	Pitch	Teilung	Pas	Paso	25,4
Larghezza interna	Internal width	Innere Breite	Largeur interieure	Ancho interno	17,02
Rullo $\varnothing$	Roller $\varnothing$	Rollen $\varnothing$	$\varnothing$ du rouleau	Rodillo $\varnothing$	15,88



CORONE	PLATE WHEELS	KETTENRADSCHIEBEN	DISQUES	DISCOS	ISO mm
Raggio dente r	Tooth radius r	Radius r	Rayon de denture r	Radio diente r	r 26
Larghezza raggio C	Radius width C	Breite C	Largeur de rayon C	Ancho radio C	C 2,5
Largh. dente h <sub>1</sub>	Tooth width h <sub>1</sub>	Zahnbreite h <sub>1</sub>	Larg. de denture h <sub>1</sub>	Ancho diente h <sub>1</sub>	h <sub>1</sub> 16,2
Largh. dente L	Tooth width L	Zahnbreite L	Larg. de denture L	Ancho diente L	L 15,8
Largh. dente h <sub>2</sub>	Tooth width h <sub>2</sub>	Zahnbreite h <sub>2</sub>	Larg. de denture h <sub>2</sub>	Ancho diente h <sub>2</sub>	h <sub>2</sub> 47,7
Largh. dente h <sub>3</sub>	Tooth width h <sub>3</sub>	Zahnbreite h <sub>3</sub>	Larg. de denture h <sub>3</sub>	Ancho diente h <sub>3</sub>	h <sub>3</sub> 79,6
Altezza totale H	Full height H	Gesamt Höhe H	Hauteur totale H	Altura total H	H -

Corone tornite sui lati, dentate con creatore  
 Plate Wheels turned on both sides and  
 toothed by milling cutter  
 Seitlich plan gedrehte, wälzgefräste  
 Zahnkränze  
 Disques tournés sur les flancs, dentés à la  
 fraise  
 Discos torneadas en los lados, dientes  
 obtenidos con fresa madre

Z	D <sub>e</sub>	D <sub>p</sub>	CS		CD		CT		Z	D <sub>e</sub>	D <sub>p</sub>	CS		CD		CT	
			cod.	D	cod.	D	cod.	D				cod.	D	cod.	D	cod.	D
8	77,0	66,37	CS 12008	12	CD 12008	16	CT 12008	20	44	369,1	356,06	CS 12044	25	CD 12044	25	CT 12044	30
9	85,0	74,27	CS 12009	12	CD 12009	16	CT 12009	20	45	377,1	364,12	CS 12045	25	CD 12045	25	CT 12045	30
10	93,0	82,19	CS 12010	15	CD 12010	16	CT 12010	20	46	385,2	372,21	CS 12046	25	CD 12046	30	CT 12046	30
11	99,5	90,14	CS 12011	15	CD 12011	20	CT 12011	20	47	393,2	380,29	CS 12047	25				
12	109,0	98,14	CS 12012	15	CD 12012	20	CT 12012	20	48	401,3	388,36	CS 12048	25	CD 12048	30	CT 12048	30
13	117,0	106,12	CS 12013	15	CD 12013	20	CT 12013	20	49	409,3	396,44	CS 12049	25				
14	125,0	114,15	CS 12014	15	CD 12014	20	CT 12014	20	50	417,4	404,52	CS 12050	25	CD 12050	30	CT 12050	30
15	133,0	122,17	CS 12015	15	CD 12015	20	CT 12015	20	51	425,5	412,60	CS 12051	30	CD 12051	30	CT 12051	40
16	141,0	130,20	CS 12016	19	CD 12016	20	CT 12016	30	52	433,6	420,67	CS 12052	30	CD 12052	30	CT 12052	40
17	149,0	138,22	CS 12017	19	CD 12017	20	CT 12017	30	53	441,7	428,75	CS 12053	30				
18	157,0	146,28	CS 12018	19	CD 12018	20	CT 12018	30	54	448,3	436,85	CS 12054	30				
19	165,2	154,33	CS 12019	19	CD 12019	20	CT 12019	30	55	457,9	444,93	CS 12055	30	CD 12055	30	CT 12055	40
20	173,2	162,38	CS 12020	19	CD 12020	20	CT 12020	30	56	466,0	453,01	CS 12056	30	CD 12056	30		
21	181,2	170,43	CS 12021	20	CD 12021	25	CT 12021	30	57	474,0	461,07	CS 12057	30	CD 12057	30	CT 12057	40
22	189,3	178,48	CS 12022	20	CD 12022	25	CT 12022	30	58	482,1	469,16	CS 12058	30				
23	197,5	186,53	CS 12023	20	CD 12023	25	CT 12023	30	59	490,2	477,24	CS 12059	30				
24	205,5	194,59	CS 12024	20	CD 12024	25	CT 12024	30	60	498,3	485,32	CS 12060	30	CD 12060	30	CT 12060	40
25	213,5	202,66	CS 12025	20	CD 12025	25	CT 12025	30	62	514,5	501,50	CS 12062	30	CD 12062	30		
26	221,6	210,72	CS 12026	20	CD 12026	25	CT 12026	30	64	530,7	517,65	CS 12064	30				
27	229,6	218,79	CS 12027	20	CD 12027	25	CT 12027	30	65	538,8	525,73	CS 12065	30	CD 12065	30	CT 12065	40
28	237,7	226,85	CS 12028	20	CD 12028	25	CT 12028	30	66	546,8	533,80	CS 12066	30				
29	245,8	234,92	CS 12029	20	CD 12029	25	CT 12029	30	68	562,9	549,98	CS 12068	30	CD 12068	30	CT 12068	40
30	254,0	243,00	CS 12030	20	CD 12030	25	CT 12030	30	70	579,2	566,14	CS 12070	30	CD 12070	30	CT 12070	40
31	262,0	251,08	CS 12031	25	CD 12031	25	CT 12031	30	72	595,4	582,32	CS 12072	30	CD 12072	30	CT 12072	40
32	270,0	259,13	CS 12032	25	CD 12032	25	CT 12032	30	75	619,7	606,55	CS 12075	30	CD 12075	30	CT 12075	40
33	278,5	267,21	CS 12033	25	CD 12033	25	CT 12033	30	76	627,0	614,65	CS 12076	30	CD 12076	30	CT 12076	40
34	287,0	275,28	CS 12034	25	CD 12034	25	CT 12034	30	78	643,3	630,80	CS 12078	30				
35	296,2	283,36	CS 12035	25	CD 12035	25	CT 12035	30	80	660,0	646,96	CS 12080	30	CD 12080	30	CT 12080	40
36	304,6	291,44	CS 12036	25	CD 12036	25	CT 12036	30	85	699,9	687,40	CS 12085	30	CD 12085	30	CT 12085	40
37	312,6	299,51	CS 12037	25	CD 12037	25	CT 12037	30	90	740,3	727,81	CS 12090	30	CD 12090	30	CT 12090	40
38	320,7	307,59	CS 12038	25	CD 12038	25	CT 12038	30	95	781,1	768,22	CS 12095	30	CD 12095	30	CT 12095	40
39	328,8	315,67	CS 12039	25	CD 12039	25	CT 12039	30	100	821,1	808,63	CS 12100	30	CD 12100	30	CT 12100	40
40	336,9	323,73	CS 12040	25	CD 12040	25	CT 12040	30	110	902,0	889,48	CS 12110	30	CD 12110	30	CT 12110	40
41	345,0	331,82	CS 12041	25					114	934,3	921,81	CS 12114	30	CD 12114	40	CT 12114	40
42	353,0	339,90	CS 12042	25	CD 12042	25	CT 12042	30	120	982,8	970,33	CS 12120	30	CD 12120	40	CT 12120	40
43	361,1	347,98	CS 12043	25	CD 12043	25			125	1023,2	1010,73	CS 12 125	30	CD 12125	40	CT 12125	40

# Corone - Plate wheels Kettenradscheiben - Disques - Discos



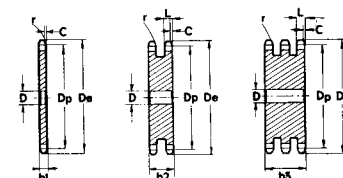
Corone per catene semplici, doppie e triple a rulli secondo: DIN 8187 - ISO/R 606  
 Plate wheels for simplex, duplex and triplex chain to: DIN 8187 - ISO/R 606  
 Kettenradscheiben mit einseitiger Nabe fur Simplex- Duplex-Triplex-Rollenkette nach:  
 DIN 8187 - ISO/R 606  
 Disques avec moyeu déporté pour chaînes simples, doubles et triples à rouleaux suivant les  
 normes: DIN 8187 - ISO/R 606  
 Discos para cadena simple, doble y triple de rodillos segun las normas: DIN 8187 - ISO/R 606



**1"1/4 x 3/4"**

**20B - 1-2-3 31,75 x 19,56 mm**

CATENA:	CHAIN:	KETTE:	CHAÎNE:	CADENA:	ISO mm
Passo	Pitch	Teilung	Pas	Paso	<b>31,75</b>
Larghezza interna	Internal width	Innere Breite	Largeur interieure	Ancho interno	<b>19,56</b>
Rullo ø	Roller ø	Rollen ø	ø du rouleau	Rodillo ø	<b>19,05</b>



CORONE	PLATE WHEELS	KETTENRADSCHIEBEN	DISQUES	DISCOS	ISO mm
Raggio dente r	Tooth radius r	Radius r	Rayon de denture r	Radio diente r	<b>r 32</b>
Larghezza raggio C	Radius width C	Breite C	Largeur de rayon C	Ancho radio C	<b>C 3,5</b>
Largh. dente h <sub>1</sub>	Tooth width h <sub>1</sub>	Zahnbreite h <sub>1</sub>	Larg. de denture h <sub>1</sub>	Ancho diente h <sub>1</sub>	<b>h<sub>1</sub> 18,5</b>
Largh. dente L	Tooth width L	Zahnbreite L	Larg. de denture L	Ancho diente L	<b>L 18,2</b>
Largh. dente h <sub>2</sub>	Tooth width h <sub>2</sub>	Zahnbreite h <sub>2</sub>	Larg. de denture h <sub>2</sub>	Ancho diente h <sub>2</sub>	<b>h<sub>2</sub> 54,6</b>
Largh. dente h <sub>3</sub>	Tooth width h <sub>3</sub>	Zahnbreite h <sub>3</sub>	Larg. de denture h <sub>3</sub>	Ancho diente h <sub>3</sub>	<b>h<sub>3</sub> 91</b>
Altezza totale H	Full height H	Gesamt Höhe H	Hauteur totale H	Altura total H	<b>H -</b>

Corone tornite sui lati, dentate con creatore  
 Plate Wheels turned on both sides and  
 toothed by milling cutter  
 Seitlich plan gedrehte, wälzgefräste  
 Zahnkränze  
 Disques tournés sur les flancs, dentés à la  
 fraise  
 Discos torneadas en los lados, dientes  
 obtenidos con fresa madre

Z	D <sub>e</sub>	D <sub>p</sub>	CS		CD		CT	
			cod.	D	cod.	D	cod.	D
8	98,1	82,96	CS 13008	16	CD 13008	20	CT 13008	20
9	108,0	92,84	CS 13009	16	CD 13009	20	CT 13009	20
10	117,9	102,74	CS 13010	16	CD 13010	20	CT 13010	20
11	127,8	112,68	CS 13011	20	CD 13011	20	CT 13011	20
12	137,8	122,68	CS 13012	20	CD 13012	20	CT 13012	20
13	147,8	132,65	CS 13013	20	CD 13013	20	CT 13013	20
14	157,8	142,68	CS 13014	20	CD 13014	20	CT 13014	20
15	167,9	152,72	CS 13015	20	CD 13015	20	CT 13015	20
16	177,9	162,75	CS 13016	20	CD 13016	25	CT 13016	25
17	187,9	172,78	CS 13017	20	CD 13017	25	CT 13017	25
18	198,0	182,85	CS 13018	20	CD 13018	25	CT 13018	25
19	208,1	192,91	CS 13019	20	CD 13019	25	CT 13019	25
20	218,1	202,98	CS 13020	20	CD 13020	25	CT 13020	25
21	228,2	213,04	CS 13021	25	CD 13021	25	CT 13021	25
22	238,3	223,11	CS 13022	25	CD 13022	25	CT 13022	25
23	248,3	233,17	CS 13023	25	CD 13023	25	CT 13023	25
24	258,4	243,23	CS 13024	25	CD 13024	25	CT 13024	25
25	268,5	253,33	CS 13025	25	CD 13025	25	CT 13025	25
26	278,6	263,40	CS 13026	25	CD 13026	25	CT 13026	25
27	288,6	273,48	CS 13027	25	CD 13027	25	CT 13027	25
28	298,7	283,56	CS 13028	25	CD 13028	25	CT 13028	25
29	308,8	293,65	CS 13029	25	CD 13029	25	CT 13029	25
30	318,9	303,75	CS 13030	25	CD 13030	25	CT 13030	25
31	329,0	313,85	CS 13031	25	CD 13031	25	CT 13031	30
32	339,1	323,91	CS 13032	25	CD 13032	25	CT 13032	30
33	349,2	334,01	CS 13033	25	CD 13033	25	CT 13033	30
34	359,3	334,10	CS 13034	25	CD 13034	25	CT 13034	30
35	369,4	354,20	CS 13035	25	CD 13035	25	CT 13035	30
36	379,5	364,30	CS 13036	25	CD 13036	30	CT 13036	30
37	389,5	374,39	CS 13037	25	CD 13037	30	CT 13037	30
38	399,6	384,49	CS 13038	25	CD 13038	30	CT 13038	30
39	409,7	394,59	CS 13039	25	CD 13039	30	CT 13039	30
40	419,8	404,66	CS 13040	25	CD 13040	30	CT 13040	30
41	429,9	414,78	CS 13041	30				
42	440,0	424,88	CS 13042	30	CD 13042	30	CT 13042	40
43	450,1	434,97	CS 13043	30				

Z	D <sub>e</sub>	D <sub>p</sub>	CS		CD		CT	
			cod.	D	cod.	D	cod.	D
44	460,2	445,07	CS 13044	30				
45	470,3	455,17	CS 13045	30	CD 13045	30	CT 13045	40
46	480,4	465,26	CS 13046	30	CD 13046	30	CT 13046	40
47	490,5	475,36	CS 13047	30				
48	500,6	485,46	CS 13048	30	CD 13048	30	CT 13048	40
49	510,7	495,55	CS 13049	30				
50	520,8	505,65	CS 13050	30	CD 13050	30	CT 13050	40
51	530,9	515,75	CS 13051	30				
52	541,0	525,84	CS 13052	30	CD 13052	30	CT 13052	40
53	551,1	535,94	CS 13053	30				
54	561,2	546,07	CS 13054	30				
55	571,3	556,16	CS 31055	30	CD 13055	30	CT 13055	40
56	581,4	566,26	CS 13056	30				
57	591,5	576,36	CS 13057	30	CD 13057	30	CT 13057	40
58	601,6	586,45	CS 13058	30				
59	611,7	596,55	CS 13059	30				
60	621,8	606,65	CS 13060	30	CD 13060	30	CT 13060	40
62	642,0	626,87	CS 13062	30				
64	662,2	647,06	CS 13064	30				
65	672,3	657,16	CS 13065	30	CD 13065	30	CT 13065	40
66	682,4	667,26	CS 13066	30				
68	702,6	687,48	CS 13068	30				
70	722,8	707,67	CS 13070	30	CD 13070	30	CT 13070	40
72	743,1	727,90	CS 13072	30				
75	773,3	758,19	CS 13075	30				
76	783,5	768,32	CS 13076	30	CD 13076	30	CT 13076	40
80	823,9	808,72	CS 13080	30	CD 13080	30	CT 13080	40
85	874,4	859,25	CS 13085	30				
90	924,9	909,76	CS 13090	30				
95	975,2	960,28	CS 13095	30	CD 13095	30	CT 13095	40
100	1026,0	1010,79	CS 13100	30				
114	1167,4	1152,26	CS 13114	30	CD 13114	30	CT 13114	40



## Corone - Plate wheels Kettenradscheiben - Disques - Discos

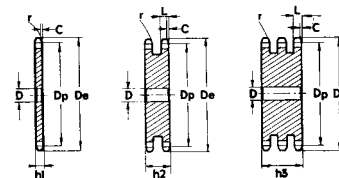
Corone per catene semplici, doppie e triple a rulli secondo: DIN 8187 - ISO/R 606  
 Plate wheels for simplex, duplex and triplex chain to: DIN 8187 - ISO/R 606  
 Kettenradscheiben mit einseitiger Nabe für Simplex- Duplex-Triplex-Rollenkette nach:  
 DIN 8187 - ISO/R 606  
 Disques avec moyeu déporté pour chaînes simples, doubles et triples à rouleaux suivant les  
 normes: DIN 8187 - ISO/R 606  
 Discos para cadena simple, doble y triple de rodillos según las normas: DIN 8187 - ISO/R 606



**1"1/2 x 1"**

**24B - 1-2-3 38,1 x 25,4 mm**

CATENA:	CHAIN:	KETTE:	CHAÎNE:	CADENA:	ISO mm
Passo	Pitch	Teilung	Pas	Paso	<b>38,1</b>
Larghezza interna	Internal width	Innere Breite	Largeur interieure	Ancho interno	<b>25,4</b>
Rullo ø	Roller ø	Rollen ø	ø du rouleau	Rodillo ø	<b>25,4</b>



CORONE	PLATE WHEELS	KETTENRADSCHIEBEN	DISQUES	DISCOS	ISO mm
Raggio dente r	Tooth radius r	Radius r	Rayon de denture r	Radio diente r	<b>r 38</b>
Larghezza raggio C	Radius width C	Breite C	Largeur de rayon C	Ancho radio C	<b>C 4</b>
Largh. dente h <sub>1</sub>	Tooth width h <sub>1</sub>	Zahnbreite h <sub>1</sub>	Larg. de denture h <sub>1</sub>	Ancho diente h <sub>1</sub>	<b>h<sub>1</sub> 24,1</b>
Largh. dente L	Tooth width L	Zahnbreite L	Larg. de denture L	Ancho diente L	<b>L 23,6</b>
Largh. dente h <sub>2</sub>	Tooth width h <sub>2</sub>	Zahnbreite h <sub>2</sub>	Larg. de denture h <sub>2</sub>	Ancho diente h <sub>2</sub>	<b>h<sub>2</sub> 72</b>
Largh. dente h <sub>3</sub>	Tooth width h <sub>3</sub>	Zahnbreite h <sub>3</sub>	Larg. de denture h <sub>3</sub>	Ancho diente h <sub>3</sub>	<b>h<sub>3</sub> 120,3</b>
Altezza totale H	Full height H	Gesamt Höhe H	Hauteur totale H	Altura total H	<b>H -</b>

Corone tornite sui lati, dentate con creatore  
 Plate Wheels turned on both sides and  
 toothed by milling cutter  
 Seitlich plan gedrehte, wälzgefräste  
 Zahnkränze  
 Disques tournés sur les flancs, dentés à la  
 fraise  
 Discos torneadas en los lados, dientes  
 obtenidos con fresa madre

Z	D <sub>e</sub>	D <sub>p</sub>	CS		CD		CT	
			cod.	D	cod.	D	cod.	D
8	115,0	99,55	CS 14008	20	CD 14008	25	CT 14008	25
9	126,4	111,40	CS 14009	20	CD 14009	25	CT 14009	25
10	138,0	123,29	CS 14010	20	CD 14010	25	CT 14010	25
11	150,0	135,21	CS 14011	20	CD 14011	25	CT 14011	25
12	162,0	147,22	CS 14012	20	CD 14012	25	CT 14012	25
13	174,2	159,18	CS 14013	20	CD 14013	25	CT 14013	25
14	186,2	171,22	CS 14014	20	CD 14014	25	CT 14014	25
15	198,2	183,26	CS 14015	20	CD 14015	25	CT 14015	25
16	210,3	195,30	CS 14016	25	CD 14016	25	CT 14016	25
17	222,3	207,34	CS 14017	25	CD 14017	25	CT 14017	25
18	234,3	219,42	CS 14018	25	CD 14018	25	CT 14018	25
19	246,5	231,49	CS 14019	25	CD 14019	25	CT 14019	25
20	258,6	243,57	CS 14020	25	CD 14020	25	CT 14020	25
21	270,6	255,65	CS 14021	25	CD 14021	25	CT 14021	30
22	282,7	267,73	CS 14022	25	CD 14022	25	CT 14022	30
23	294,8	279,80	CS 14023	25	CD 14023	25	CT 14023	30
24	306,8	291,88	CS 14024	25	CD 14024	25	CT 14024	30
25	319,0	304,00	CS 14025	25	CD 14025	25	CT 14025	30
26	331,0	316,08	CS 14026	30	CD 14026	30	CT 14026	30
27	343,2	328,19	CS 14027	30	CD 14027	30	CT 14027	30
28	355,2	340,27	CS 14028	30	CD 14028	30	CT 14028	30
29	367,3	352,38	CS 14029	30	CD 14029	30	CT 14029	30
30	379,5	364,50	CS 14030	30	CD 14030	30	CT 14030	40
31	391,6	376,62	CS 14031	30	CD 14031	40	CT 14031	40
32	403,7	388,69	CS 14032	30	CD 14032	40	CT 14032	40
33	415,8	400,81	CS 14033	30	CD 14033	40	CT 14033	40
34	427,8	412,93	CS 14034	30	CD 14034	40	CT 14034	40
35	440,0	425,04	CS 14035	30	CD 14035	40	CT 14035	40
36	452,0	437,16	CS 14036	30	CD 14036	40	CT 14036	40
37	464,2	449,27	CS 14037	30	CD 14037	40	CT 14037	40
38	476,2	461,39	CS 14038	30	CD 14038	40	CT 14038	40
39	488,5	473,50	CS 14039	30	CD 14039	40	CT 14039	40
40	500,6	485,62	CS 14040	30	CD 14040	40	CT 14040	40
41	512,6	497,74	CS 14041	30				
42	524,7	509,85	CS 14042	30	CD 14042	40	CT 14042	40
43	536,8	521,97	CS 14043	30				

Z	D <sub>e</sub>	D <sub>p</sub>	CS		CD		CT	
			cod.	D	cod.	D	cod.	D
44	549,0	534,08	CS 14044	30				
45	561,2	546,20	CS 14045	30	CD 14045	40	CT 14045	40
46	573,3	558,32	CS 14046	30	CD 14046	40	CT 14046	40
47	585,4	570,43	CS 14047	30				
48	597,4	582,55	CS 14048	30	CD 14048	40	CT 14048	40
49	609,5	594,66	CS 14049	30				
50	621,7	606,78	CS 14050	30	CD 14050	40	CT 14050	40
51	633,8	618,89	CS 14051	30				
52	646,0	631,01	CS 14052	30				
53	658,0	643,13	CS 14053	30				
54	670,2	655,25	CS 14054	30				
55	682,3	667,40	CS 14055	30	CD 14055	40	CT 14055	40
56	694,4	679,50	CS 14056	30				
57	706,5	691,73	CS 14057	30	CD 14057	40	CT 14057	40
58	718,6	703,74	CS 14058	30				
59	730,7	715,86	CS 14059	30				
60	742,8	727,97	CS 14060	30	CD 14060	40	CT 14060	40
62	767,2	752,24	CS 14062	40				
64	791,3	776,48	CS 14064	40				
65	803,4	788,59	CS 14065	40	CD 14065	40	CT 14065	40
66	815,6	800,17	CS 14066	40				
68	839,8	824,98	CS 14068	40				
70	864,2	849,21	CS 14070	40				
72	888,4	873,48	CS 14072	40				
75	924,8	909,83	CS 14075	40				
76	936,9	921,98	CS 14076	40	CD 14076	40	CT 14076	40
80	985,4	970,44	CS 14080	40				
85	1046,0	1031,10	CS 14085	40				
95	1167,3	1152,33	CS 14095	40				

## Corone - Plate wheels Kettenradscheiben - Disques - Discos



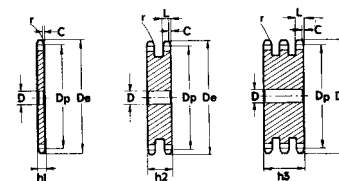
Corone per catene semplici, doppie e triple a rulli secondo: DIN 8187 - ISO/R 606  
 Plate wheels for simplex, duplex and triplex chain to: DIN 8187 - ISO/R 606  
 Kettenradscheiben mit einseitiger Nabe für Simplex- Duplex-Triplex-Rollenkette nach:  
 DIN 8187 - ISO/R 606  
 Disques avec moyeu déporté pour chaînes simples, doubles et triples à rouleaux suivant les  
 normes: DIN 8187 - ISO/R 606  
 Discos para cadena simple, doble y triple de rodillos según las normas: DIN 8187 - ISO/R 606



### 1"3/4 x 1"1/4

### 28B - 1-2-3 44,45 x 30,99 mm

CATENA:	CHAIN:	KETTE:	CHAÎNE:	CADENA:	ISO mm
Passo	Pitch	Teilung	Pas	Paso	44,45
Larghezza interna	Internal width	Innere Breite	Largeur interieure	Ancho interno	30,99
Rullo $\phi$	Roller $\phi$	Rollen $\phi$	$\phi$ du rouleau	Rodillo $\phi$	27,94



CORONE	PLATE WHEELS	KETTENRADSCHLEIBEN	DISQUES	DISCOS	ISO mm
Raggio dente r	Tooth radius r	Radius r	Rayon de denture r	Radio diente r	r 44
Larghezza raggio C	Radius width C	Breite C	Largeur de rayon C	Ancho radio C	C 5
Largh. dente h <sub>1</sub>	Tooth width h <sub>1</sub>	Zahnbreite h <sub>1</sub>	Larg. de denture h <sub>1</sub>	Ancho diente h <sub>1</sub>	h <sub>1</sub> 29,4
Largh. dente L	Tooth width L	Zahnbreite L	Larg. de denture L	Ancho diente L	L 28,8
Largh. dente h <sub>2</sub>	Tooth width h <sub>2</sub>	Zahnbreite h <sub>2</sub>	Larg. de denture h <sub>2</sub>	Ancho diente h <sub>2</sub>	h <sub>2</sub> 88,4
Largh. dente h <sub>3</sub>	Tooth width h <sub>3</sub>	Zahnbreite h <sub>3</sub>	Larg. de denture h <sub>3</sub>	Ancho diente h <sub>3</sub>	h <sub>3</sub> 148
Altezza totale H	Full height H	Gesamt Höhe H	Hauteur totale H	Altura total H	H -

Corone tornite sui lati, dentate con creatore  
 Plate Wheels turned on both sides and  
 toothed by milling cutter  
 Seitlich plan gedrehte, wälzgefräste  
 Zahnkränze  
 Disques tournés sur les flancs, dentés à la  
 fraise  
 Discos torneadas en los lados, dientes  
 obtenidos con fresa madre

Z	D <sub>e</sub>	D <sub>p</sub>	CS		CD		CT	
			cod.	D	cod.	D	cod.	D
8	132,0	116,15	CS 15008	25	CD 15008	25	CT 15008	25
9	148,4	129,96	CS 15009	25	CD 15009	25	CT 15009	25
10	162,3	143,85	CS 15010	25	CD 15010	25	CT 15010	25
11	176,3	157,77	CS 15011	25	CD 15011	25	CT 15011	30
12	189,3	171,74	CS 15012	25	CD 15012	25	CT 15012	30
13	204,2	185,75	CS 15013	25	CD 15013	25	CT 15013	30
14	218,2	199,76	CS 15014	25	CD 15014	25	CT 15014	30
15	232,3	213,79	CS 15015	25	CD 15015	25	CT 15015	30
16	246,3	227,84	CS 15016	30	CD 15016	30	CT 15016	30
17	260,0	241,90	CS 15017	30	CD 15017	30	CT 15017	30
18	274,0	255,98	CS 15018	30	CD 15018	30	CT 15018	30
19	289,0	270,06	CS 15019	30	CD 15019	30	CT 15019	30
20	303,0	284,15	CS 15020	30	CD 15020	30	CT 15020	30
21	317,0	298,24	CS 15021	30	CD 15021	30	CT 15021	30
22	331,0	312,34	CS 15022	30	CD 15022	30	CT 15022	30
23	345,0	326,44	CS 15023	30	CD 15023	30	CT 15023	30
24	359,0	340,55	CS 15024	30	CD 15024	30	CT 15024	30
25	373,0	354,66	CS 15025	30	CD 15025	30	CT 15025	40
26	387,0	368,77	CS 15026	30	CD 15026	30	CT 15026	40
27	401,0	382,88	CS 15027	30	CD 15027	30	CT 15027	40
28	416,0	397,00	CS 15028	30	CD 15028	30	CT 15028	40
29	430,0	411,12	CS 15029	30	CD 15029	30	CT 15029	40
30	444,0	425,24	CS 15030	30	CD 15030	30	CT 15030	40
31	458,0	439,37	CS 15031	30	CD 15031	30	CT 15031	40
32	472,0	453,49	CS 15032	30	CD 15032	30	CT 15032	40
33	486,0	467,62	CS 15033	30	CD 15033	30	CT 15033	40
34	500,0	481,75	CS 15034	30	CD 15034	30	CT 15034	40
35	514,0	495,88	CS 15035	30	CD 15035	30	CT 15035	40
36	529,0	510,01	CS 15036	30	CD 15036	30	CT 15036	40
37	543,0	524,13	CS 15037	30	CD 15037	30	CT 15037	40
38	557,0	538,27	CS 15038	30	CD 15038	30	CT 15038	40
39	571,0	552,40	CS 15039	30	CD 15039	30	CT 15039	40
40	585,0	566,54	CS 15040	30	CD 15040	30	CT 15040	40
45	656,0	637,22	CS 15045	30	CD 15045	30	CT 15045	40
50	726,0	707,91	CS 15050	30	CD 15050	30	CT 15050	40
57	825,0	806,90	CS 15057	40	CD 15057	40	CT 15057	40
60	869,0	849,32	CS 15060	40	CD 15060	40	CT 15060	40
76	1095,0	1075,62	CS 15076	40	CD 15076	40	CT 15076	40



## Corone - Plate wheels Kettenradscheiben - Disques - Discos

Corone per catene semplici, doppie e triple a rulli secondo: DIN 8187 - ISO/R 606

Plate wheels for simplex, duplex and triplex chain to: DIN 8187 - ISO/R 606

Kettenradscheiben mit einseitiger Nabe für Simplex- Duplex-Triplex-Rollenkette nach:

DIN 8187 - ISO/R 606

Disques avec moyeu déporté pour chaînes simples, doubles et triples à rouleaux suivant les

normes: DIN 8187 - ISO/R 606

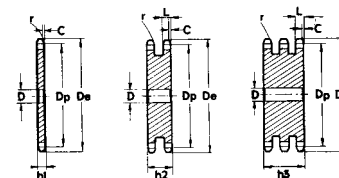
Discos para cadena simple, doble y triple de rodillos según las normas: DIN 8187 - ISO/R 606



### 2" x 1"1/4

### 32B - 1-2-3 50,8 x 30,99 mm

CATENA:	CHAIN:	KETTE:	CHAÎNE:	CADENA:	ISO mm
Passo	Pitch	Teilung	Pas	Paso	50,8
Larghezza interna	Internal width	Innere Breite	Largeur interieure	Ancho interno	30,99
Rullo $\varnothing$	Roller $\varnothing$	Rollen $\varnothing$	$\varnothing$ du rouleau	Rodillo $\varnothing$	29,21



CORONE	PLATE WHEELS	KETTENRADSCHIEBEN	DISQUES	DISCOS	ISO mm
Raggio dente r	Tooth radius r	Radius r	Rayon de denture r	Radio diente r	r 51
Larghezza raggio C	Radius width C	Breite C	Largeur de rayon C	Ancho radio C	C 6
Largh. dente h <sub>1</sub>	Tooth width h <sub>1</sub>	Zahnbreite h <sub>1</sub>	Larg. de denture h <sub>1</sub>	Ancho diente h <sub>1</sub>	h <sub>1</sub> 29,4
Largh. dente L	Tooth width L	Zahnbreite L	Larg. de denture L	Ancho diente L	L 28,8
Largh. dente h <sub>2</sub>	Tooth width h <sub>2</sub>	Zahnbreite h <sub>2</sub>	Larg. de denture h <sub>2</sub>	Ancho diente h <sub>2</sub>	h <sub>2</sub> 87,4
Largh. dente h <sub>3</sub>	Tooth width h <sub>3</sub>	Zahnbreite h <sub>3</sub>	Larg. de denture h <sub>3</sub>	Ancho diente h <sub>3</sub>	h <sub>3</sub> 146
Altezza totale H	Full height H	Gesamt Höhe H	Hauteur totale H	Altura total H	H -

Corone tornite sui lati, dentate con creatore  
Plate Wheels turned on both sides and  
toothed by milling cutter  
Seitlich plan gedrehte, wälzgefräste  
Zahnkränze  
Disques tournés sur les flancs, dentés à la  
fraise  
Discos torneadas en los lados, dientes  
obtenidos con fresa madre

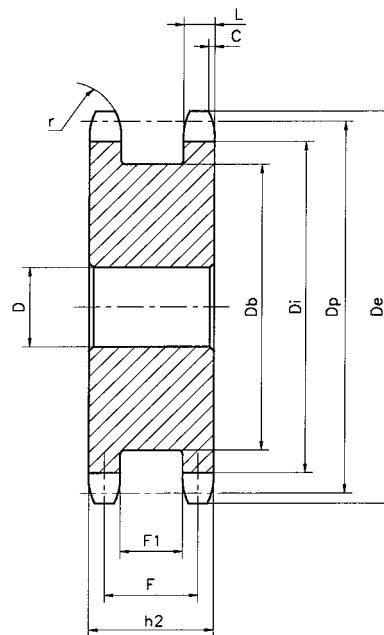
Z	D <sub>e</sub>	D <sub>p</sub>	CS		CD		CT	
			cod.	D	cod.	D	cod.	D
8	153,2	132,74	CS 16008	25	CD 16008	25	CT 16008	25
9	169,0	148,54	CS 16009	25	CD 16009	25	CT 16009	25
10	185,0	164,39	CS 16010	25	CD 16010	25	CT 16010	25
11	200,8	180,31	CS 16011	30	CD 16011	30	CT 16011	30
12	216,8	196,29	CS 16012	30	CD 16012	30	CT 16012	30
13	232,8	212,29	CS 16013	30	CD 16013	30	CT 16013	30
14	248,8	228,29	CS 16014	30	CD 16014	30	CT 16014	30
15	264,8	244,30	CS 16015	30	CD 16015	30	CT 16015	30
16	280,9	260,40	CS 16016	30	CD 16016	30	CT 16016	30
17	296,9	276,46	CS 16017	30	CD 16017	30	CT 16017	30
18	313,0	292,55	CS 16018	30	CD 16018	30	CT 16018	30
19	329,1	308,66	CS 16019	30	CD 16019	30	CT 16019	30
20	345,2	324,71	CS 16020	30	CD 16020	30	CT 16020	30
21	361,3	340,82	CS 16021	30	CD 16021	30	CT 16021	40
22	377,5	356,98	CS 16022	30	CD 16022	30	CT 16022	40
23	393,6	373,08	CS 16023	30	CD 16023	30	CT 16023	40
24	409,7	389,18	CS 16024	30	CD 16024	30	CT 16024	40
25	425,8	405,33	CS 16025	30	CD 16025	30	CT 16025	40
26	441,9	421,44	CS 16026	30	CD 16026	30	CT 16026	40
27	458,1	437,59	CS 16027	30	CD 16027	30	CT 16027	40
28	474,2	453,69	CS 16028	30	CD 16028	30	CT 16028	40
29	492,0	469,85	CS 16029	30	CD 16029	30	CT 16029	40
30	506,5	486,00	CS 16030	30	CD 16030	30	CT 16030	40
32	538,8	518,27	CS 16032	30				
35	589,5	566,71	CS 16035	30	CD 16035	30	CT 16035	40
38	635,5	615,16	CS 16038	30	CD 16038	30	CT 16038	40
40	670,3	647,47	CS 16040	40	CD 16040	40	CT 16040	40
45	751,0	728,24	CS 16045	40	CD 16045	40	CT 16045	40
50	831,8	809,04	CS 16050	40	CD 16050	40	CT 16050	40
57	945,0	922,16	CS 16057	40	CD 16057	40	CT 16057	40
60	993,4	970,65	CS 16060	40	CD 16060	40	CT 16060	40
76	1252,0	1229,27	CS 16076	40	CD 16076	40	CT 16076	40

**Corone doppie per due catene semplici**  
**Duplex plate wheels for two single chains**  
**Zweifach-Scheiben für zwei einfach-Ketten**  
**Disques doubles pour deux chaines simples**  
**Discos dobles para dos cadenas simples**

I valori Di-Dp-De-C-L-r sono da ricavare dalle pagg. 52, 57, 58, 59, 60  
 See page no. 52, 57, 58, 59, 60 for Di-Dp-De-C-L-r dimentions  
 Siehe Seite Nr. 52, 57, 58, 59, 60 fuer Di-Dp-De-C-L-r Abmessungen  
 Voir page no. 52, 57, 58, 59, 60 pour les dimensions Di-Dp-De-C-L-r  
 Valor Di-Dp-De-C-L-r se deben obtener de las paginas 52, 57, 58, 59, 60

Materiale C 45 E • Material C45 E • Matière C 45 E • Materiel C 45 E - UNI EN 10083-1

cod.	Z	3/8 x 7/32" - 06B R.6,35				
		h <sub>2</sub>	F	F <sub>1</sub>	Db	D
DS 05013	13	24,3	19	13,7	28	10
DS 05014	14	24,3	19	13,7	31	10
DS 05015	15	24,3	19	13,7	34	10
DS 05016	16	24,3	19	13,7	37	10
DS 05017	17	24,3	19	13,7	40	10
DS 05018	18	24,3	19	13,7	43	10
DS 05019	19	24,3	19	13,7	46	10
DS 05020	20	24,3	19	13,7	49	10
DS 05021	21	24,3	19	13,7	52	12
DS 05023	23	24,3	19	13,7	59	12
DS 05025	25	24,3	19	13,7	65	12

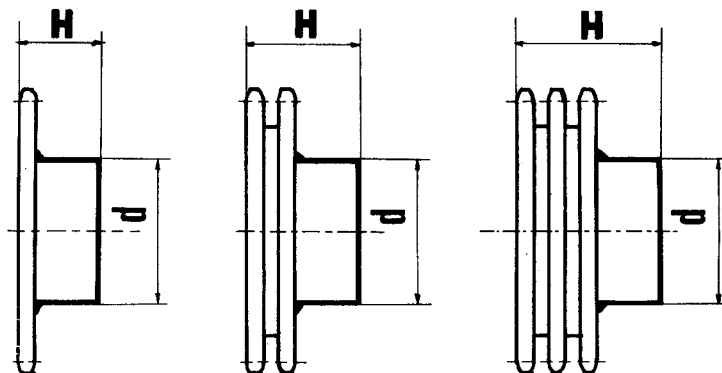


cod.	Z	1/2" x 5/16" - 08B R. 8,51				
		h <sub>2</sub>	F	F <sub>1</sub>	Db	D
DS 09012	12	31	23,8	16,6	33	10
DS 09013	13	31	23,8	16,6	37	10
DS 09014	14	31	23,8	16,6	42	10
DS 09015	15	31	23,8	16,6	45	10
DS 09016	16	31	23,8	16,6	49	10
DS 09017	17	31	23,8	16,6	53	12
DS 09018	18	31	23,8	16,6	57	12
DS 09019	19	31	23,8	16,6	62	12
DS 09020	20	31	23,8	16,6	66	12
DS 09021	21	31	23,8	16,6	70	14
DS 09023	23	31	23,8	16,6	78	14
DS 09024	24	31	23,8	16,6	82	14
DS 09025	25	31	23,8	16,6	86	14

cod.	Z	5/8" x 3/8" - 10B R. 10,16				
		h <sub>2</sub>	F	F <sub>1</sub>	Db	D
DS 10012	12	36,5	27,3	18,1	45	12
DS 10013	13	36,5	27,3	18,1	50	12
DS 10014	14	36,5	27,3	18,1	55	12
DS 10015	15	36,5	27,3	18,1	60	12
DS 10016	16	36,5	27,3	18,1	65	14
DS 10017	17	36,5	27,3	18,1	70	14
DS 10018	18	36,5	27,3	18,1	75	14
DS 10019	19	36,5	27,3	18,1	80	14
DS 10020	20	36,5	27,3	18,1	85	14
DS 10021	21	36,5	27,3	18,1	90	16
DS 10022	22	36,5	27,3	18,1	95	16
DS 10023	23	36,5	27,3	18,1	100	16
DS 10025	25	36,5	27,3	18,1	110	16

cod.	Z	3/4" x 7/16" - 12B R. 12,07				
		h <sub>2</sub>	F	F <sub>1</sub>	Db	D
DS 11012	12	45	33,9	22,8	53	14
DS 11013	13	45	33,9	22,8	59	14
DS 11014	14	45	33,9	22,8	65	14
DS 11015	15	45	33,9	22,8	71	14
DS 11016	16	45	33,9	22,8	77	14
DS 11017	17	45	33,9	22,8	83	16
DS 11018	18	45	33,9	22,8	89	16
DS 11019	19	45	33,9	22,8	95	16
DS 11020	20	45	33,9	22,8	101	16
DS 11021	21	45	33,9	22,8	107	20
DS 11023	23	45	33,9	22,8	119	20
DS 11025	25	45	33,9	22,8	131	20

cod.	Z	1" x 17,2 - 16B R. 15,88				
		h <sub>2</sub>	F	F <sub>1</sub>	Db	D
DS 12013	13	63,5	47,3	31,1	81	16
DS 12014	14	63,5	47,3	31,1	89	16
DS 12015	15	63,5	47,3	31,1	97	16
DS 12016	16	63,5	47,3	31,1	105	20
DS 12017	17	63,5	47,3	31,1	113	20
DS 12018	18	63,5	47,3	31,1	121	20
DS 12019	19	63,5	47,3	31,1	129	20
DS 12020	20	63,5	47,3	31,1	137	20
DS 12021	21	63,5	47,3	31,1	145	20
DS 12023	23	63,5	47,3	31,1	161	20
DS 12025	25	63,5	47,3	31,1	177	20

**Dimensioni mozzi saldati****Welded hus sizes****Grösse der geschweissten Schraubennaben****Dimension moyeux soudés****Dimension de cubos soldados****PIGNONI SEMPLICI - SIMPLEX SPROCKETS - KETTENRÄDER SIMPLEX - PIGNONS SIMPLES - PIÑONES SIMPLE**

DENTI Z	3/8" x 7/32"	1/2" x 5/16"	5/8" x 3/8"	3/4" x 7/16"	1" x 17,02	1"1/4 x 3/4"	1"1/2 x 1	1"3/4 x 1"1/4	2" x 1"1/4
	d x H	d x H	d x H	d x H	d x H	d x H	d x H	d x H	d x H
41÷45	80x32	90x40	100x40	110x56	125x70	150x70	160x90	180x90	180x100
46÷50	80x32	90x40	100x40	110x56	125x70	150x70	160x90	180x90	180x100
51÷57	80x32	90x40	100x40	110x56	125x70	150x80	160x100	180x100	180x100
58÷65	80x32	90x40	100x50	110x56	140x80	150x80	160x100	200x100	200x110
66÷125	80x32	90x40	100x50	110x56	140x80	150x90	160x100	200x100	200x110

**PIGNONI DOPPI - DUPLEX SPROCKETS - DUPLEX KETTENRÄDER - DUPLES PIGNONS - DOBLES PIÑONES**

DENTI Z	3/8" x 7/32"	1/2" x 5/16"	5/8" x 3/8"	3/4" x 7/16"	1" x 17,02	1"1/4 x 3/4"	1"1/2 x 1	1"3/4 x 1"1/4	2" x 1"1/4
	d x H	d x H	d x H	d x H	d x H	d x H	d x H	d x H	d x H
41÷45	90x40	110x50	130x50	140x63	150x80	160x90	180x100	200x120	200x120
46÷50	90x40	110x50	130x50	140x63	150x80	160x90	180x100	220x120	200x120
51÷57	90x40	110x50	130x50	140x63	160x90	160x100	200x110	220x120	220x120
58÷65	90x40	110x50	130x63	140x63	160x90	160x100	200x110	220x130	250x130
66÷125	90x40	110x56	130x63	140x63	160x90	180x100	220x120	250x130	250x130

**PIGNONI TRIPLI - TRIPLEX SPROCKETS - TRIPLEX KETTENRÄDER - PIGNONS TRIPLES - TRIPLES PIÑONES**

DENTI Z	3/8" x 7/32"	1/2" x 5/16"	5/8" x 3/8"	3/4" x 7/16"	1" x 17,02	1"1/4 x 3/4"	1"1/2 x 1	1"3/4 x 1"1/4	2" x 1"1/4
	d x H	d x H	d x H	d x H	d x H	d x H	d x H	d x H	d x H
41÷45	90x56	110x60	130x60	140x70	160x100	180x110	200x150	200x180	200x180
46÷50	90x56	110x60	130x60	140x70	160x100	180x110	200x150	200x180	200x180
51÷57	90x56	110x60	130x60	140x70	180x110	180x125	220x150	220x180	250x180
58÷65	90x56	110x60	130x67	140x70	180x110	180x125	220x150	220x190	250x180
66÷125	90x56	110x60	130x67	140x70	180x110	200x140	250x150	250x190	250x180

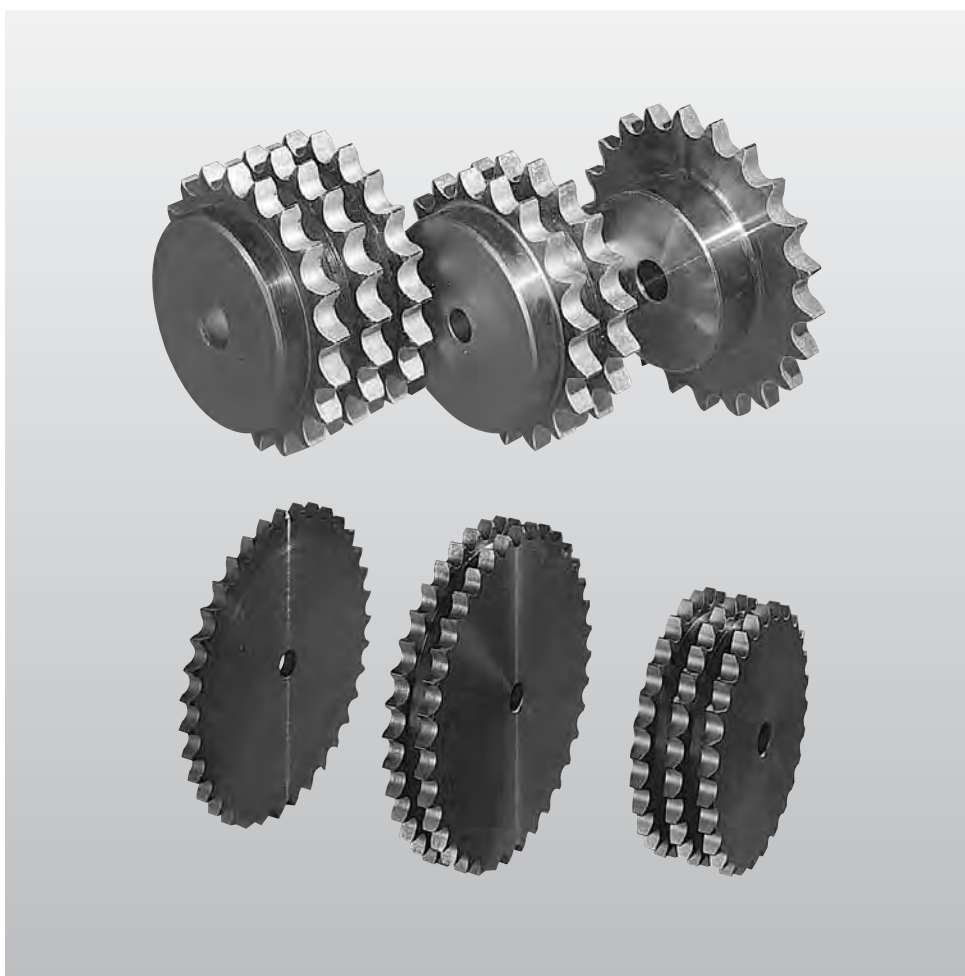
# Pignoni e corone ASA

## Sprockets and plate wheels ASA

### Kettenräder und Kettenradscheiben ASA

## Pignons et disques ASA

## Piñones y discos ASA



**A richiesta possiamo eseguire dentature e passi nei profili ASA non indicati nel presente Catalogo in base a consuntivo.**

**On request, we can carry out toothing pitch on “ASA” profiles, not indicated in this catalogue, according to estimates.**

**Auf Wunsch können wir Zahnungen und Teilungen in den “ASA” Profilen ausführen, die in diesem Katalog nicht angegeben sind Preis nach Kostenvoranschlag.**

**Possibilité d’exécuter sur demande des dentures et des pas dans les profils “ASA” non indiqués dans le catalogue, sur devis.**

**Previa solicitud y en base a presupuesto podemos fabricar dentados y pasos con perfiles “ASA” no señalados en el presente catálogo.**





**Pignoni / Sprockets /  
Kettenräder / Pignons / Piñones**

Pignoni per catene semplici, doppie e triple a rulli secondo:

DIN 8188 - ISO/R 606 - ANSI B 29,1

Sprockets for simplex, duplex and triplex chain to: DIN 8188 - ISO/R 606 - ANSI B 29,1

Kettenräder mit einseitiger Nabe für Simplex-Duplex-Triplex-Rollenkette nach:

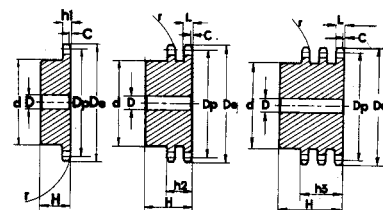
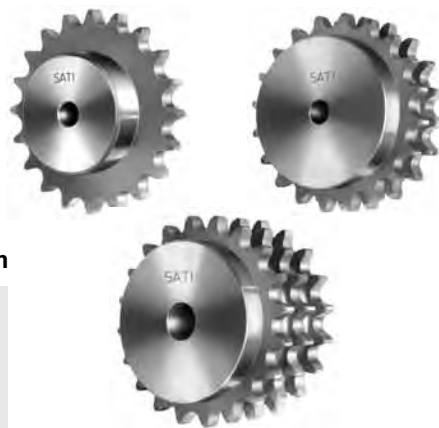
DIN 8188 - ISO/R 606 - ANSI B 29,1

Pignons avec moyeu déporté pour chaînes simples, doubles, et triples à rouleaux suivant les normes:

DIN 8188 - ISO/R 606 - ANSI B 29,1

Piñones para cadena simple, doble y triple de rodillos según las normas:

DIN 8188 - ISO/R 606 - ANSI B 29,1



**3/8" x 3/16"**

**ASA 35 - 1-2-3 9,525 x 4,77 mm**

CATENA:	CHAIN:	KETTE:	CHAÎNE:	CADENA:	ASA 35
Passo	Pitch	Teilung	Pas	Paso	9,525
Larghezza interna	Internal width	Innere Breite	Largeur interieure	Ancho interno	4,77
Rullo ø	Roller ø	Rollen ø	ø du rouleau	Rodillo ø	5,08

PIGNONE	SPROCKETS	KETTENRÄDER	PIGNONS	PIÑONES	ASA 35
Raggio dente r	Tooth radius r	Radius r	Rayon de denture r	Radio diente r	r 10
Larghezza raggio C	Radius width C	Breite C	Largeur de rayon C	Ancho radio C	C 1,2
Largh. dente h <sub>1</sub>	Tooth width h <sub>1</sub>	Zahnbreite h <sub>1</sub>	Larg. de denture h <sub>1</sub>	Ancho diente h <sub>1</sub>	h <sub>1</sub> 4,4
Largh. dente L	Tooth width L	Zahnbreite L	Larg. de denture L	Ancho diente L	L 4,3
Largh. dente h <sub>2</sub>	Tooth width h <sub>2</sub>	Zahnbreite h <sub>2</sub>	Larg. de denture h <sub>2</sub>	Ancho diente h <sub>2</sub>	h <sub>2</sub> 14,4
Largh. dente h <sub>3</sub>	Tooth width h <sub>3</sub>	Zahnbreite h <sub>3</sub>	Larg. de denture h <sub>3</sub>	Ancho diente h <sub>3</sub>	h <sub>3</sub> 24,5
Altezza totale H	Full height H	Gesamt Höhe H	Hauteur totale H	Altura total H	H -

**Materiale C 45 E · Material C45 E · Matière C 45 E · Materiel C 45 E - UNI EN 10083-1**

Z	D <sub>e</sub>	D <sub>p</sub>	PS			PD				
			cod.	d	D	H	cod.	d		
10	35,70	30,82	PS 05A10	20	8	22				
11	38,69	33,80	PS 05A11	22	8	25				
12	41,68	36,80	PS 05A12	25	8	25				
13	44,68	39,80	PS 05A13	28	10	25	PD 05A13	28	10	25
14	47,68	42,80	PS 05A14	31	10	25	PD 05A14	31	10	25
15	50,69	45,81	PS 05A15	34	10	25	PD 05A15	34	10	25
16	53,70	48,82	PS 05A16	38	10	28	PD 05A16	37	12	30
17	56,72	51,83	PS 05A17	38	10	28	PD 05A17	40	12	30
18	59,73	54,85	PS 05A18	38	10	28	PD 05A18	43	12	30
19	62,75	57,87	PS 05A19	46	10	28	PD 05A19	46	12	30
20	65,77	60,89	PS 05A20	46	10	28	PD 05A20	49	12	30
21	68,79	63,91	PS 05A21	46	10	28	PD 05A21	52	16	30
22	71,81	66,93	PS 05A22	52	12	28	PD 05A22	55	16	30
23	74,83	69,95	PS 05A23	52	12	28	PD 05A23	58	16	30
24	77,85	72,97	PS 05A24	52	12	28	PD 05A24	61	16	30
25	80,88	76,00	PS 05A25	58	12	28	PD 05A25	64	16	30
26	83,90	79,02	PS 05A26	58	12	28	PD 05A26	67	16	30
27	86,93	82,04	PS 05A27	58	12	28	PD 05A27	70	16	30
28	89,95	85,07	PS 05A28	60	12	28	PD 05A28	73	16	30
30	96,00	91,12	PS 05A30	60	12	28				



# Pignoni / Sprockets / Kettenräder / Pignons / Piñones

Pignoni per catene semplici, doppie e triple a rulli secondo:

DIN 8188 - ISO/R 606 - ANSI B 29,1

Sprockets for simplex, duplex and triplex chain to: DIN 8188 - ISO/R 606 - ANSI B 29,1

Kettenräder mit einseitiger Nabe für Simplex-Duplex-Triplex-Rollenkette nach:

DIN 8188 - ISO/R 606 - ANSI B 29,1

Pignons avec moyeu déporté pour chaînes simples, doubles, et triples à rouleaux suivant les normes:

DIN 8188 - ISO/R 606 - ANSI B 29,1

Piñones para cadena simple, doble y triple de rodillos según las normas:

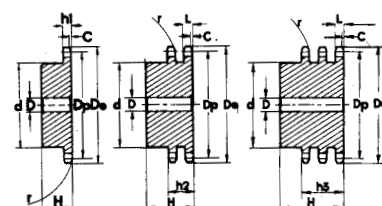
DIN 8188 - ISO/R 606 - ANSI B 29,1

## 1/2" x 5/16"

ASA 40 - 1-2-3 12,7 x 7,94 mm

CATENA:	CHAIN:	KETTE:	CHAÎNE:	CADENA:	ASA 40
Passo	Pitch	Teilung	Pas	Paso	12,7
Larghezza interna	Internal width	Innere Breite	Largeur interieure	Ancho interno	7,94
Rullo $\phi$	Roller $\phi$	Rollen $\phi$	$\phi$ du rouleau	Rodillo $\phi$	7,94

PIGNONE	SPROCKETS	KETTENRÄDER	PIGNONS	PIÑONES	ASA 40
Raggio dente r	Tooth radius r	Radius r	Rayon de denture r	Radio diente r	r 13,5
Larghezza raggio C	Radius width C	Breite C	Largeur de rayon C	Ancho radio C	C 1,6
Largh. dente $h_1$	Tooth width $h_1$	Zahnbreite $h_1$	Larg. de denture $h_1$	Ancho diente $h_1$	$h_1$ 7,4
Largh. dente L	Tooth width L	Zahnbreite L	Larg. de denture L	Ancho diente L	L 7,2
Largh. dente $h_2$	Tooth width $h_2$	Zahnbreite $h_2$	Larg. de denture $h_2$	Ancho diente $h_2$	$h_2$ 21,6
Largh. dente $h_3$	Tooth width $h_3$	Zahnbreite $h_3$	Larg. de denture $h_3$	Ancho diente $h_3$	$h_3$ 36
Altezza totale H	Full height H	Gesamt Höhe H	Hauteur totale H	Altura total H	H -



### Materiale C 45 E • Material C45 E • Matière C 45 E • Materiel C 45 E - UNI EN 10083-1

Z	De	Dp	PS			PD			PT							
			cod.	d	D	H	cod.	d	D	H	cod.	d	D	H		
10	47,66	41,10	PS 09A10	26	10	25										
11	51,64	45,08	PS 09A11	29	10	25										
12	55,63	49,07	PS 09A12	35	10	28				PT 09A12	35	14	50			
13	59,63	53,07	PS 09A13	35	10	28	PD 09A13	38	12	35	PT 09A13	38	14	50		
14	63,63	57,07	PS 09A14	35	10	28	PD 09A14	42	12	35	PT 09A14	42	14	50		
15	67,64	61,08	PS 09A15	48	10	28	PD 09A15	46	12	35	PT 09A15	46	14	50		
16	71,66	65,10	PS 09A16	48	10	28	PD 09A16	50	14	35	PT 09A16	50	16	50		
17	75,68	69,12	PS 09A17	48	10	28	PD 09A17	54	14	35	PT 09A17	54	16	50		
18	79,70	73,14	PS 09A18	60	12	28	PD 09A18	58	14	35	PT 09A18	58	16	50		
19	83,72	77,16	PS 09A19	60	12	28	PD 09A19	62	14	35	PT 09A19	62	16	50		
20	87,74	81,18	PS 09A20	60	12	28	PD 09A20	66	14	35	PT 09A20	66	16	50		
21	91,77	85,21	PS 09A21	65	12	28	PD 09A21	70	16	40	PT 09A21	70	20	55		
22	95,80	89,24	PS 09A22	65	12	28	PD 09A22	70	16	40	PT 09A22	70	20	55		
23	99,83	93,27	PS 09A23	65	12	28	PD 09A23	70	16	40	PT 09A23	70	20	55		
24	103,86	97,30	PS 09A24	70	14	28	PD 09A24	75	16	40	PT 09A24	75	20	55		
25	107,89	101,33	PS 09A25	70	14	28	PD 09A25	80	16	40	PT 09A25	80	20	55		
26	111,92	105,36	PS 09A26	70	14	28	PD 09A26	85	20	40	PT 09A26	85	20	55		
27	115,96	109,40	PS 09A27	70	16	30	PD 09A27	85	20	40	PT 09A27	85	20	55		
28	119,99	113,43	PS 09A28	70	16	30	PD 09A28	90	20	40	PT 09A28	90	20	55		
30	128,06	121,50	PS 09A30	80	16	30	PD 09A30	100	20	40						
32	136,13	129,57	PS 09A32	80	16	30										
35	148,24	141,68	PS 09A35	90	16	30										
36	152,28	145,72	PS 09A36	90	16	30										
38	160,35	153,79	PS 09A38	90	16	35										
40	168,43	161,87	PS 09A40	90	16	35										



## Pignoni / Sprockets / Kettenräder / Pignons / Piñones

Pignoni per catene semplici, doppie e triple a rulli secondo:

DIN 8188 - ISO/R 606 - ANSI B 29,1

Sprockets for simplex, duplex and triplex chain to: DIN 8188 - ISO/R 606 - ANSI B 29,1

Kettenräder mit einseitiger Nabe für Simplex-Duplex-Triplex-Rollenkette nach:

DIN 8188 - ISO/R 606 - ANSI B 29,1

Pignons avec moyeu déporté pour chaînes simples, doubles, et triples à rouleaux suivant les normes:

DIN 8188 - ISO/R 606 - ANSI B 29,1

Piñones para cadena simple, doble y triple de rodillos según las normas:

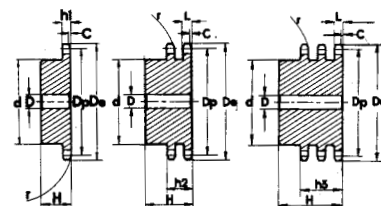
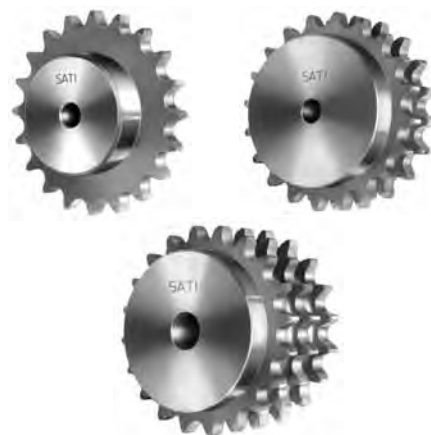
DIN 8188 - ISO/R 606 - ANSI B 29,1

### 5/8" x 3/8"

ASA 50 - 1-2-3 15,875 x 9,52 mm

CATENA:	CHAIN:	KETTE:	CHAÎNE:	CADENA:	ASA 50
Passo	Pitch	Teilung	Pas	Paso	15,875
Larghezza interna	Internal width	Innere Breite	Largeur interieure	Ancho interno	9,52
Rullo $\phi$	Roller $\phi$	Rollen $\phi$	$\phi$ du rouleau	Rodillo $\phi$	10,16

PIGNONE	SPROCKETS	KETTENRÄDER	PIGNONS	PIÑONES	ASA 50
Raggio dente r	Tooth radius r	Radius r	Rayon de denture r	Radio diente r	r 17
Larghezza raggio C	Radius width C	Breite C	Largeur de rayon C	Ancho radio C	C 2
Largh. dente $h_1$	Tooth width $h_1$	Zahnbreite $h_1$	Larg. de denture $h_1$	Ancho diente $h_1$	$h_1$ 9
Largh. dente L	Tooth width L	Zahnbreite L	Larg. de denture L	Ancho diente L	L 8,8
Largh. dente $h_2$	Tooth width $h_2$	Zahnbreite $h_2$	Larg. de denture $h_2$	Ancho diente $h_2$	$h_2$ 26,9
Largh. dente $h_3$	Tooth width $h_3$	Zahnbreite $h_3$	Larg. de denture $h_3$	Ancho diente $h_3$	$h_3$ 45
Altezza totale H	Full height H	Gesamt Höhe H	Hauteur totale H	Altura total H	H -



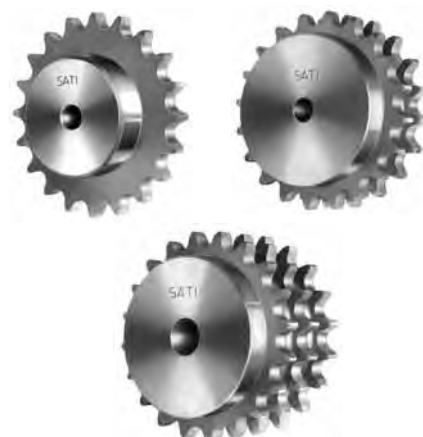
### Materiale C 45 E • Material C45 E • Matière C 45 E • Materiel C 45 E - UNI EN 10083-1

Z	De	Dp	PS			PD			PT					
			cod.	d	D	H	cod.	d	D	H	cod.	d	D	H
8	47,0	41,48	PS 10A08	25	10	25								
9	52,6	46,42	PS 10A09	30	10	25								
10	57,5	51,37	PS 10A10	35	10	25								
11	63,0	56,34	PS 10A11	37	12	30								
12	68,0	61,34	PS 10A12	42	12	30					PT 10A12	44	16	55
13	73,0	66,32	PS 10A13	47	12	30	PD 10A13	49	14	40	PT 10A13	49	16	55
14	78,0	71,34	PS 10A14	52	12	30	PD 10A14	54	14	40	PT 10A14	54	16	55
15	83,0	76,36	PS 10A15	57	12	30	PD 10A15	59	14	40	PT 10A15	59	16	55
16	88,0	81,37	PS 10A16	60	12	30	PD 10A16	64	16	45	PT 10A16	64	16	60
17	93,0	86,39	PS 10A17	60	12	30	PD 10A17	69	16	45	PT 10A17	69	16	60
18	98,3	91,42	PS 10A18	70	14	30	PD 10A18	74	16	45	PT 10A18	74	16	60
19	103,3	96,45	PS 10A19	70	14	30	PD 10A19	79	16	45	PT 10A19	79	16	60
20	108,4	101,49	PS 10A20	75	14	30	PD 10A20	84	16	45	PT 10A20	84	16	60
21	113,4	106,52	PS 10A21	75	16	30	PD 10A21	85	16	45	PT 10A21	85	20	60
22	118,0	111,55	PS 10A22	80	16	30	PD 10A22	90	16	45	PT 10A22	90	20	60
23	123,4	116,58	PS 10A23	80	16	30	PD 10A23	95	16	45	PT 10A23	95	20	60
24	128,3	121,62	PS 10A24	80	16	30	PD 10A24	100	16	45	PT 10A24	100	20	60
25	134,4	126,66	PS 10A25	80	16	30	PD 10A25	105	16	45	PT 10A25	105	20	60
26	139,0	131,70	PS 10A26	85	20	35					PT 10A26	110	20	60
27	144,0	136,75	PS 10A27	85	20	35					PT 10A27	110	20	60
28	148,7	141,78	PS 10A28	90	20	35					PT 10A28	115	20	60
29	153,8	146,83	PS 10A29	90	20	35								
30	158,8	151,87	PS 10A30	90	20	35								
31	163,9	156,92	PS 10A31	95	20	35								
32	168,9	161,95	PS 10A32	95	20	35								
33	174,5	167,00	PS 10A33	95	20	35								
34	179,0	172,05	PS 10A34	95	20	35								
35	184,1	177,10	PS 10A35	95	20	35								
36	189,1	182,15	PS 10A36	100	20	35								
37	194,2	187,20	PS 10A37	100	20	35								
38	199,2	192,24	PS 10A38	100	20	35								
39	204,2	197,29	PS 10A39	100	20	35								
40	209,3	202,34	PS 10A40	100	20	35								



# Pignoni / Sprockets / Kettenräder / Pignons / Piñones

Pignoni per catene semplici, doppie e triple a rulli secondo:  
 DIN 8188 - ISO/R 606 - ANSI B 29,1  
 Sprockets for simplex, duplex and triplex chain to: DIN 8188 - ISO/R 606 - ANSI B 29,1  
 Kettenräder mit einseitiger Nabe für Simplex-Duplex-Triplex-Rollenkette nach:  
 DIN 8188 - ISO/R 606 - ANSI B 29,1  
 Pignons avec moyeu déporté pour chaînes simples, doubles, et triples à rouleaux suivant les normes:  
 DIN 8188 - ISO/R 606 - ANSI B 29,1  
 Piñones para cadena simple, doble y triple de rodillos según las normas:  
 DIN 8188 - ISO/R 606 - ANSI B 29,1

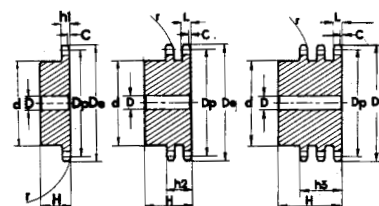


## 3/4" x 1/2"

ASA 60 - 1-2-3 19,05 x 12,7 mm

CATENA:	CHAIN:	KETTE:	CHAÎNE:	CADENA:	ASA 60
Passo	Pitch	Teilung	Pas	Paso	19,05
Larghezza interna	Internal width	Innere Breite	Largeur interieure	Ancho interno	12,7
Rullo $\phi$	Roller $\phi$	Rollen $\phi$	$\phi$ du rouleau	Rodillo $\phi$	11,91

PIGNONE	SPROCKETS	KETTENRÄDER	PIGNONS	PIÑONES	ASA 60
Raggio dente r	Tooth radius r	Radius r	Rayon de denture r	Radio diente r	r 20
Larghezza raggio C	Radius width C	Breite C	Largeur de rayon C	Ancho radio C	C 2,4
Largh. dente $h_1$	Tooth width $h_1$	Zahnbreite $h_1$	Larg. de denture $h_1$	Ancho diente $h_1$	$h_1$ 12
Largh. dente L	Tooth width L	Zahnbreite L	Larg. de denture L	Ancho diente L	L 11,8
Largh. dente $h_2$	Tooth width $h_2$	Zahnbreite $h_2$	Larg. de denture $h_2$	Ancho diente $h_2$	$h_2$ 34,6
Largh. dente $h_3$	Tooth width $h_3$	Zahnbreite $h_3$	Larg. de denture $h_3$	Ancho diente $h_3$	$h_3$ 57,4
Altezza totale H	Full height H	Gesamt Höhe H	Hauteur totale H	Altura total H	H -



### Materiale C 45 E • Material C45 E • Matière C 45 E • Materiel C 45 E - UNI EN 10083-1

Z	D <sub>e</sub>	D <sub>p</sub>	PS			PD			PT					
			cod.	d	D	H	cod.	d	D	H	cod.	d	D	H
10	71,54	61,64	PS 11A10	42	12	30	PD 11A10	42	12	45				
11	77,51	67,61	PS 11A11	45	12	30	PD 11A11	47	16	50				
12	83,49	73,61	PS 11A12	45	12	30	PD 11A12	53	16	50	PT 11A12	53	20	70
13	89,49	79,59	PS 11A13	60	14	35	PD 11A13	59	16	50	PT 11A13	59	20	70
14	95,50	85,61	PS 11A14	60	14	35	PD 11A14	65	16	50	PT 11A14	65	20	70
15	101,52	91,63	PS 11A15	60	14	35	PD 11A15	71	16	50	PT 11A15	71	20	70
16	107,54	97,65	PS 11A16	75	16	35	PD 11A16	77	20	50	PT 11A16	77	20	70
17	113,56	103,67	PS 11A17	75	16	35	PD 11A17	83	20	50	PT 11A17	83	20	70
18	119,59	109,71	PS 11A18	75	16	35	PD 11A18	89	20	50	PT 11A18	89	20	70
19	125,63	115,75	PS 11A19	80	16	35	PD 11A19	95	20	50	PT 11A19	95	20	70
20	131,67	121,78	PS 11A20	80	16	35	PD 11A20	100	20	50	PT 11A20	100	20	70
21	137,71	127,82	PS 11A21	80	16	35	PD 11A21	100	20	50	PT 11A21	100	20	70
22	143,75	133,86	PS 11A22	90	20	40	PD 11A22	100	20	50	PT 11A22	100	20	70
23	149,79	139,90	PS 11A23	90	20	40	PD 11A23	110	20	50	PT 11A23	110	20	70
24	155,84	145,94	PS 11A24	90	20	40	PD 11A24	110	20	50	PT 11A24	110	20	70
25	161,88	152,00	PS 11A25	90	20	40	PD 11A25	120	20	50	PT 11A25	120	20	70
26	167,93	158,04	PS 11A26	90	20	40	PD 11A26	120	20	50				
27	173,98	164,09	PS 11A27	90	20	40	PD 11A27	120	20	50				
28	180,03	170,13	PS 11A28	95	20	40	PD 11A28	120	20	50				
30	192,14	182,25	PS 11A30	95	20	40	PD 11A30	120	20	50				



## Pignoni / Sprockets / Kettenräder / Pignons / Piñones

Pignoni per catene semplici, doppie e triple a rulli secondo:

DIN 8188 - ISO/R 606 - ANSI B 29,1

Sprockets for simplex, duplex and triplex chain to: DIN 8188 - ISO/R 606 - ANSI B 29,1

Kettenräder mit einseitiger Nabe für Simplex-Duplex-Triplex-Rollenkette nach:

DIN 8188 - ISO/R 606 - ANSI B 29,1

Pignons avec moyeu déporté pour chaînes simples, doubles, et triples à rouleaux suivant les normes:

DIN 8188 - ISO/R 606 - ANSI B 29,1

Piñones para cadena simple, doble y triple de rodillos según las normas:

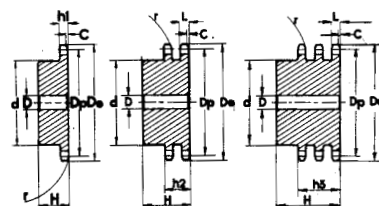
DIN 8188 - ISO/R 606 - ANSI B 29,1

**1" x 5/8"**

**ASA 80 - 1-2-3 25,4 x 15,88 mm**

CATENA:	CHAIN:	KETTE:	CHAÎNE:	CADENA:	ASA 80
Passo	Pitch	Teilung	Pas	Paso	25,4
Larghezza interna	Internal width	Innere Breite	Largeur interieure	Ancho interno	15,88
Rullo $\phi$	Roller $\phi$	Rollen $\phi$	$\phi$ du rouleau	Rodillo $\phi$	15,88

PIGNONE	SPROCKETS	KETTENRÄDER	PIGNONS	PIÑONES	ASA 80
Raggio dente r	Tooth radius r	Radius r	Rayon de denture r	Radio diente r	r 27
Larghezza raggio C	Radius width C	Breite C	Largeur de rayon C	Ancho radio C	C 3,2
Largh. dente $h_1$	Tooth width $h_1$	Zahnbreite $h_1$	Larg. de denture $h_1$	Ancho diente $h_1$	$h_1$ 15
Largh. dente L	Tooth width L	Zahnbreite L	Larg. de denture L	Ancho diente L	L 14,7
Largh. dente $h_2$	Tooth width $h_2$	Zahnbreite $h_2$	Larg. de denture $h_2$	Ancho diente $h_2$	$h_2$ 44,0
Largh. dente $h_3$	Tooth width $h_3$	Zahnbreite $h_3$	Larg. de denture $h_3$	Ancho diente $h_3$	$h_3$ 73,3
Altezza totale H	Full height H	Gesamt Höhe H	Hauteur totale H	Altura total H	H -



**Materiale C 45 E • Material C45 E • Matière C 45 E • Materiel C 45 E - UNI EN 10083-1**

Z	De	Dp	PS			PD			PT						
			cod.	d	D	H	cod.	d	D	H	cod.	d	D	H	
8	79,49	66,37	PS 12A08	42	16	35									
9	87,38	74,27	PS 12A09	50	16	35									
10	95,32	82,19	PS 12A10	55	16	35									
11	103,28	90,14	PS 12A11	61	16	40									
12	111,26	98,14	PS 12A12	69	16	40	PD 12A12	72	20	70	PT 12A12	72	25	100	
13	119,26	106,12	PS 12A13	78	16	40	PD 12A13	80	20	70	PT 12A13	80	25	100	
14	127,27	114,15	PS 12A14	84	16	40	PD 12A14	88	20	70	PT 12A14	88	25	100	
15	135,29	122,17	PS 12A15	92	16	40	PD 12A15	96	20	70	PT 12A15	96	25	100	
16	143,32	130,20	PS 12A16	100	20	45	PD 12A16	104	20	70	PT 12A16	104	30	100	
17	151,35	138,22	PS 12A17	100	20	45	PD 12A17	112	20	70	PT 12A17	112	30	100	
18	159,39	146,28	PS 12A18	100	20	45	PD 12A18	120	20	70	PT 12A18	120	30	100	
19	167,44	154,33	PS 12A19	100	20	45	PD 12A19	128	20	70	PT 12A19	128	30	100	
20	175,49	162,38	PS 12A20	100	20	45	PD 12A20	130	20	70	PT 12A20	130	30	100	
21	183,54	170,43	PS 12A21	110	20	50	PD 12A21	130	25	70					
22	191,60	178,48	PS 12A22	110	20	50									
23	199,66	186,53	PS 12A23	110	20	50									
24	207,72	194,59	PS 12A24	110	20	50									
25	215,78	202,66	PS 12A25	110	20	50									
26	223,84	210,72	PS 12A26	120	20	50									
27	231,91	218,79	PS 12A27	120	20	50									
28	239,98	226,85	PS 12A28	120	20	50									
29	248,05	234,92	PS 12A29	120	20	50									
30	256,12	243,00	PS 12A30	120	20	50									

## Pignoni / Sprockets / Kettenräder / Pignons / Piñones

Pignoni per catene semplici, doppie e triple a rulli secondo:

DIN 8188 - ISO/R 606 - ANSI B 29,1

Sprockets for simplex, duplex and triplex chain to: DIN 8188 - ISO/R 606 - ANSI B 29,1

Kettenräder mit einseitiger Nabe für Simplex-Duplex-Triplex-Rollenkette nach:

DIN 8188 - ISO/R 606 - ANSI B 29,1

Pignons avec moyeu déporté pour chaînes simples, doubles, et triples à rouleaux suivant les normes:

DIN 8188 - ISO/R 606 - ANSI B 29,1

Piñones para cadena simple, doble y triple de rodillos según las normas:

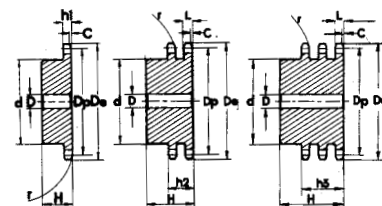
DIN 8188 - ISO/R 606 - ANSI B 29,1

### 1"1/4 x 3/4"

### ASA 100 - 1-2-3 31,75 x 19,05 mm

CATENA:	CHAIN:	KETTE:	CHAÎNE:	CADENA:	ASA 100
Passo	Pitch	Teilung	Pas	Paso	31,75
Larghezza interna	Internal width	Innere Breite	Largeur interieure	Ancho interno	19,05
Rullo $\phi$	Roller $\phi$	Rollen $\phi$	$\phi$ du rouleau	Rodillo $\phi$	19,05

PIGNONE	SPROCKETS	KETTENRÄDER	PIGNONS	PIÑONES	ASA 100
Raggio dente r	Tooth radius r	Radius r	Rayon de denture r	Radio diente r	r 33,5
Larghezza raggio C	Radius width C	Breite C	Largeur de rayon C	Ancho radio C	C 4
Largh. dente $h_1$	Tooth width $h_1$	Zahnbreite $h_1$	Larg. de denture $h_1$	Ancho diente $h_1$	$h_1$ 18
Largh. dente L	Tooth width L	Zahnbreite L	Larg. de denture L	Ancho diente L	L 17,7
Largh. dente $h_2$	Tooth width $h_2$	Zahnbreite $h_2$	Larg. de denture $h_2$	Ancho diente $h_2$	$h_2$ 53,5
Largh. dente $h_3$	Tooth width $h_3$	Zahnbreite $h_3$	Larg. de denture $h_3$	Ancho diente $h_3$	$h_3$ 89,2
Altezza totale H	Full height H	Gesamt Höhe H	Hauteur totale H	Altura total H	H -



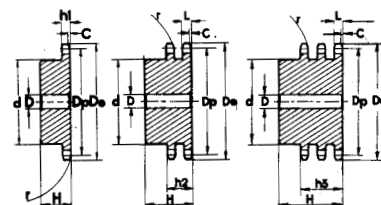
Materiale C 45 E • Material C45 E • Matière C 45 E • Materiel C 45 E - UNI EN 10083-1

Z	De	Dp	PS			PD			PT						
			cod.	d	D	H	cod.	d	D	H	cod.	d	D	H	
8	98,1	82,96	PS 13A08	53	20	40									
9	108,0	92,84	PS 13A09	63	20	40									
10	117,9	102,74	PS 13A10	70	20	40									
11	127,8	112,68	PS 13A11	77	20	45									
12	137,8	122,68	PS 13A12	88	20	45	PD 13A12	90	20	80					
13	147,8	132,65	PS 13A13	98	20	45	PD 13A13	100	20	80					
14	157,8	142,68	PS 13A14	108	20	45	PD 13A14	110	20	80					
15	167,9	152,72	PS 13A15	118	20	45	PD 13A15	120	20	80					
16	177,9	162,75	PS 13A16	120	25	50	PD 13A16	120	25	80					
17	187,9	172,78	PS 13A17	120	25	50	PD 13A17	120	25	80					
18	198,0	182,85	PS 13A18	120	25	50									
19	208,1	192,91	PS 13A19	120	25	50									
20	218,1	202,98	PS 13A20	120	25	50									
21	228,2	213,04	PS 13A21	140	25	55									
22	238,3	223,11	PS 13A22	140	25	55									
23	248,3	233,17	PS 13A23	140	25	55									
24	258,4	243,23	PS 13A24	140	25	55									
25	268,5	253,33	PS 13A25	140	25	55									



## Pignoni / Sprockets / Kettenräder / Pignons / Piñones

Pignoni per catene semplici, doppie e triple a rulli secondo:  
 DIN 8188 - ISO/R 606 - ANSI B 29,1  
 Sprockets for simplex, duplex and triplex chain to: DIN 8188 - ISO/R 606 - ANSI B 29,1  
 Kettenräder mit einseitiger Nabe für Simplex-Duplex-Triplex-Rollenkette nach:  
 DIN 8188 - ISO/R 606 - ANSI B 29,1  
 Pignons avec moyeu déporté pour chaînes simples, doubles, et triples à rouleaux suivant les normes:  
 DIN 8188 - ISO/R 606 - ANSI B 29,1  
 Piñones para cadena simple, doble y triple de rodillos según las normas:  
 DIN 8188 - ISO/R 606 - ANSI B 29,1



### 1"1/2 x 1"

ASA 120 - 1-2-3 38,1 x 25,4 mm

CATENA:	CHAIN:	KETTE:	CHAÎNE:	CADENA:	ASA 120
Passo	Pitch	Teilung	Pas	Paso	38,1
Larghezza interna	Internal width	Innere Breite	Largeur interieure	Ancho interno	25,4
Rullo $\phi$	Roller $\phi$	Rollen $\phi$	$\phi$ du rouleau	Rodillo $\phi$	22,22

PIGNONE	SPROCKETS	KETTENRÄDER	PIGNONS	PIÑONES	ASA 120
Raggio dente r	Tooth radius r	Radius r	Rayon de denture r	Radio diente r	r 40,5
Larghezza raggio C	Radius width C	Breite C	Largeur de rayon C	Ancho radio C	C 4,8
Largh. dente $h_1$	Tooth width $h_1$	Zahnbreite $h_1$	Larg. de denture $h_1$	Ancho diente $h_1$	$h_1$ 24,1
Largh. dente L	Tooth width L	Zahnbreite L	Larg. de denture L	Ancho diente L	L 23,6
Largh. dente $h_2$	Tooth width $h_2$	Zahnbreite $h_2$	Larg. de denture $h_2$	Ancho diente $h_2$	$h_2$ 69
Largh. dente $h_3$	Tooth width $h_3$	Zahnbreite $h_3$	Larg. de denture $h_3$	Ancho diente $h_3$	$h_3$ 114,5
Altezza totale H	Full height H	Gesamt Höhe H	Hauteur totale H	Altura total H	H -

Materiale C 45 E • Material C45 E • Matière C 45 E • Materiel C 45 E - UNI EN 10083-1

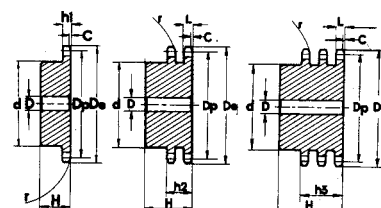
Z	$D_e$	$D_p$	PS				PD				PT					
			cod.	d	D	H	cod.	d	D	H	cod.	d	D	H		
8	119,04	99,55	PS 14A08	58	20	45										
9	130,88	111,40	PS 14A09	70	20	45										
10	142,77	123,29	PS 14A10	80	20	45										
11	154,71	135,21	PS 14A11	90	25	50										
12	166,69	147,22	PS 14A12	102	25	50	PD 14A12	102	25	100						
13	178,68	159,18	PS 14A13	114	25	50	PD 14A13	114	25	100						
14	190,70	171,22	PS 14A14	128	25	50	PD 14A14	128	25	100						
15	202,73	183,26	PS 14A15	140	25	50	PD 14A15	140	25	100						

### 1"3/4 x 1"1/4

ASA 140 - 1-2-3 44,45 x 25,4 mm

CATENA:	CHAIN:	KETTE:	CHAÎNE:	CADENA:	ASA 140
Passo	Pitch	Teilung	Pas	Paso	44,45
Larghezza interna	Internal width	Innere Breite	Largeur interieure	Ancho interno	25,4
Rullo $\phi$	Roller $\phi$	Rollen $\phi$	$\phi$ du rouleau	Rodillo $\phi$	25,4

PIGNONE	SPROCKETS	KETTENRÄDER	PIGNONS	PIÑONES	ASA 140
Raggio dente r	Tooth radius r	Radius r	Rayon de denture r	Radio diente r	r 47,5
Larghezza raggio C	Radius width C	Breite C	Largeur de rayon C	Ancho radio C	C 5,8
Largh. dente $h_1$	Tooth width $h_1$	Zahnbreite $h_1$	Larg. de denture $h_1$	Ancho diente $h_1$	$h_1$ 24,1
Largh. dente L	Tooth width L	Zahnbreite L	Larg. de denture L	Ancho diente L	L 23,6
Largh. dente $h_2$	Tooth width $h_2$	Zahnbreite $h_2$	Larg. de denture $h_2$	Ancho diente $h_2$	$h_2$ 72,5
Largh. dente $h_3$	Tooth width $h_3$	Zahnbreite $h_3$	Larg. de denture $h_3$	Ancho diente $h_3$	$h_3$ 121,3
Altezza totale H	Full height H	Gesamt Höhe H	Hauteur totale H	Altura total H	H -



### 2" x 1"1/4

ASA 160 - 1-2-3 50,8 x 31,75 mm

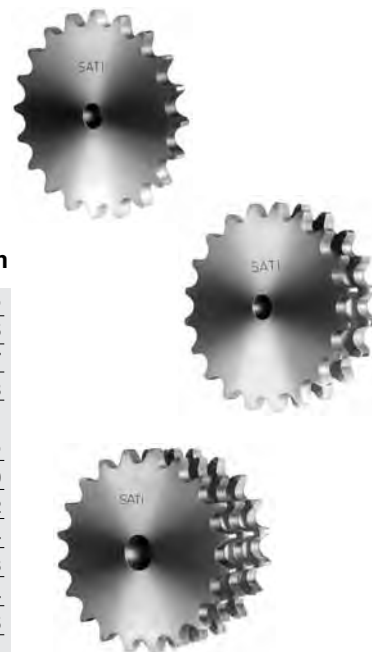
CATENA:	CHAIN:	KETTE:	CHAÎNE:	CADENA:	ASA 160
Passo	Pitch	Teilung	Pas	Paso	50,8
Larghezza interna	Internal width	Innere Breite	Largeur interieure	Ancho interno	31,75
Rullo $\phi$	Roller $\phi$	Rollen $\phi$	$\phi$ du rouleau	Rodillo $\phi$	28,58

PIGNONE	SPROCKETS	KETTENRÄDER	PIGNONS	PIÑONES	ASA 160
Raggio dente r	Tooth radius r	Radius r	Rayon de denture r	Radio diente r	r 54
Larghezza raggio C	Radius width C	Breite C	Largeur de rayon C	Ancho radio C	C 7
Largh. dente $h_1$	Tooth width $h_1$	Zahnbreite $h_1$	Larg. de denture $h_1$	Ancho diente $h_1$	$h_1$ 30,1
Largh. dente L	Tooth width L	Zahnbreite L	Larg. de denture L	Ancho diente L	L 29,5
Largh. dente $h_2$	Tooth width $h_2$	Zahnbreite $h_2$	Larg. de denture $h_2$	Ancho diente $h_2$	$h_2$ 88
Largh. dente $h_3$	Tooth width $h_3$	Zahnbreite $h_3$	Larg. de denture $h_3$	Ancho diente $h_3$	$h_3$ 146,6
Altezza totale H	Full height H	Gesamt Höhe H	Hauteur totale H	Altura total H	H -

# Corone / Plate wheels / Kettenradscheiben / Disques / Discos



Corone per catene semplici, doppie e triple a rulli secondo: DIN 8188 - ISO/R 606 - ANSI B 29,1  
 Plate wheels for simplex, duplex and triplex chain to: DIN 8188 - ISO/R 606 - ANSI B 29,1  
 Kettenradscheiben mit einseitiger Nabe für Simplex- Duplex-Triplex-Rollenkette nach:  
 DIN 8188 - ISO/R 606 - ANSI B 29,1  
 Disques avec moyeu déporté pour chaînes simples, doubles et triples à rouleaux suivant les normes:  
 DIN 8188 - ISO/R 606 - ANSI B 29,1  
 Discos para cadena simple, doble y triple de rodillos según: DIN 8188 - ISO/R 606 - ANSI B 29,1



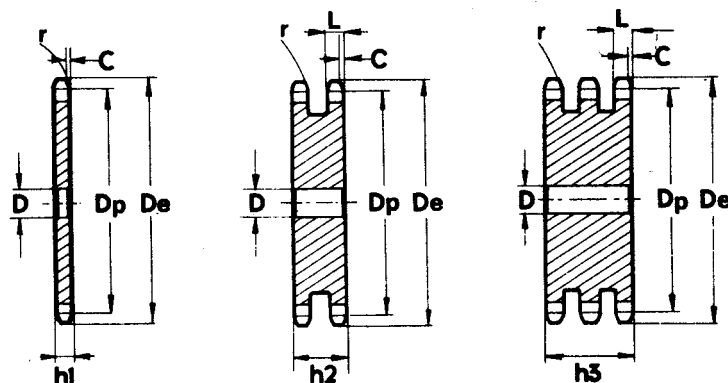
## 3/8" x 3/16"

ASA 35 - 1-2-3 9,525 x 4,77 mm

CATENA:	CHAIN:	KETTE:	CHAÎNE:	CADENA:	ASA 35
Passo	Pitch	Teilung	Pas	Paso	9,525
Larghezza interna	Internal width	Innere Breite	Largeur interieure	Ancho interno	4,77
Rullo $\phi$	Roller $\phi$	Rollen $\phi$	$\phi$ du rouleau	Rodillo $\phi$	5,08

CORONE	PLATE WHEELS	KETTENRÄDSCHLEIBEN	DISQUES	DISCOS	ASA 35
Raggio dente r	Tooth radius r	Radius r	Rayon de denture r	Radio diente r	r 10
Larghezza raggio C	Radius width C	Breite C	Largeur de rayon C	Ancho radio C	C 1,2
Largh. dente $h_1$	Tooth width $h_1$	Zahnbreite $h_1$	Larg. de denture $h_1$	Ancho diente $h_1$	$h_1$ 4,4
Largh. dente L	Tooth width L	Zahnbreite L	Larg. de denture L	Ancho diente L	L 4,3
Largh. dente $h_2$	Tooth width $h_2$	Zahnbreite $h_2$	Larg. de denture $h_2$	Ancho diente $h_2$	$h_2$ 14,4
Largh. dente $h_3$	Tooth width $h_3$	Zahnbreite $h_3$	Larg. de denture $h_3$	Ancho diente $h_3$	$h_3$ 24,5
Altezza totale H	Full height H	Gesamt Höhe H	Hauteur totale H	Altura total H	H -

Z	$D_e$	$D_p$	CS		CD	
			cod.	D	cod.	D
30	96,00	91,12			CD 05A30	12
32	102,06	97,17	CS 05A32	12		
36	114,17	109,29	CS 05A36	12		
38	120,22	115,34	CS 05A38	12	CD 05A38	14
40	126,28	121,40	CS 05A40	12		
45	141,43	136,55	CS 05A45	16	CD 05A45	16
48	150,52	145,64	CS 05A48	16		
57	177,79	172,91	CS 05A57	16	CD 05A57	16
76	235,37	230,49	CS 05A76	20	CD 05A76	20



## 1/2" x 5/16"

ASA 40 - 1-2-3 12,7 x 7,94 mm

CATENA:	CHAIN:	KETTE:	CHAÎNE:	CADENA:	ASA 40
Passo	Pitch	Teilung	Pas	Paso	12,7
Larghezza interna	Internal width	Innere Breite	Largeur interieure	Ancho interno	7,94
Rullo $\phi$	Roller $\phi$	Rollen $\phi$	$\phi$ du rouleau	Rodillo $\phi$	7,94

CORONE	PLATE WHEELS	KETTENRÄDSCHLEIBEN	DISQUES	DISCOS	ASA 40
Raggio dente r	Tooth radius r	Radius r	Rayon de denture r	Radio diente r	r 13,5
Larghezza raggio C	Radius width C	Breite C	Largeur de rayon C	Ancho radio C	C 1,6
Largh. dente $h_1$	Tooth width $h_1$	Zahnbreite $h_1$	Larg. de denture $h_1$	Ancho diente $h_1$	$h_1$ 7,4
Largh. dente L	Tooth width L	Zahnbreite L	Larg. de denture L	Ancho diente L	L 7,2
Largh. dente $h_2$	Tooth width $h_2$	Zahnbreite $h_2$	Larg. de denture $h_2$	Ancho diente $h_2$	$h_2$ 21,6
Largh. dente $h_3$	Tooth width $h_3$	Zahnbreite $h_3$	Larg. de denture $h_3$	Ancho diente $h_3$	$h_3$ 36
Altezza totale H	Full height H	Gesamt Höhe H	Hauteur totale H	Altura total H	H -

Z	$D_e$	$D_p$	CS		CD		CT	
			cod.	D	cod.	D	cod.	D
30	128,06	121,50					CT 09A30	20
32	136,13	129,57			CD 09A32	16		
38	160,35	153,79			CD 09A38	20	CT 09A38	25
40	168,43	161,87			CD 09A40	20		
42	176,50	169,94	CS 09A42	20				
45	188,62	182,06	CS 09A45	20	CD 09A45	20	CT 09A45	25
48	200,74	194,18	CS 09A48	20				
57	237,10	230,54	CS 09A57	20	CD 09A57	25	CT 09A57	25
76	313,88	307,32	CS 09A76	25	CD 09A76	25	CT 09A76	25
95	390,67	384,11			CD 09A95	25		



**Corone tornite sui lati, dentate con creatore  
 Plate Wheels turned on both sides and  
 toothed by milling cutter  
 Seitlich plan gedrehte, wälzgefräste  
 Zahnkränze  
 Disques tournés sur les flancs,  
 dentés à la fraise  
 Discos torneadas en los lados,  
 dientes obtenidos con fresa madre**





## Corone / Plate wheels / Kettenradscheiben / Disques / Discos

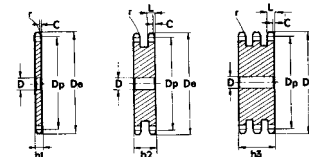
Corone per catene semplici, doppie e triple a rulli secondo: DIN 8188 - ISO/R 606 - ANSI B 29,1  
 Plate wheels for simplex, duplex and triplex chain to: DIN 8188 - ISO/R 606 - ANSI B 29,1  
 Kettenradscheiben mit einseitiger Nabe für Simplex- Duplex-Triplex-Rollenkette nach:  
 DIN 8188 - ISO/R 606 - ANSI B 29,1  
 Disques avec moyeu déporté pour chaînes simples, doubles et triples à rouleaux suivant les normes:  
 DIN 8188 - ISO/R 606 - ANSI B 29,1  
 Discos para cadena simple, doble y triple de rodillos según: DIN 8188 - ISO/R 606 - ANSI B 29,1



### 5/8" x 3/8"

ASA 50 - 1-2-3 15,875 x 9,52 mm

CATENA:	CHAIN:	KETTE:	CHAÎNE:	CADENA:	ASA 50
Passo	Pitch	Teilung	Pas	Paso	15,875
Larghezza interna	Internal width	Innere Breite	Largeur interieure	Ancho interno	9,52
Rullo ø	Roller ø	Rollen ø	ø du rouleau	Rodillo ø	10,16



CORONE	PLATE WHEELS	KETTENRÄDSCHLEIBEN	DISQUES	DISCOS	ASA 50
Raggio dente r	Tooth radius r	Radius r	Rayon de denture r	Radio diente r	r 17
Larghezza raggio C	Radius width C	Breite C	Largeur de rayon C	Ancho radio C	C 2
Largh. dente h <sub>1</sub>	Tooth width h <sub>1</sub>	Zahnbreite h <sub>1</sub>	Larg. de denture h <sub>1</sub>	Ancho diente h <sub>1</sub>	h <sub>1</sub> 9
Largh. dente L	Tooth width L	Zahnbreite L	Larg. de denture L	Ancho diente L	L 8,8
Largh. dente h <sub>2</sub>	Tooth width h <sub>2</sub>	Zahnbreite h <sub>2</sub>	Larg. de denture h <sub>2</sub>	Ancho diente h <sub>2</sub>	h <sub>2</sub> 26,9
Largh. dente h <sub>3</sub>	Tooth width h <sub>3</sub>	Zahnbreite h <sub>3</sub>	Larg. de denture h <sub>3</sub>	Ancho diente h <sub>3</sub>	h <sub>3</sub> 45
Altezza totale H	Full height H	Gesamt Höhe H	Hauteur totale H	Altura total H	H -

Corone tornite sui lati, dentate con creatore  
 Plate Wheels turned on both sides and  
 toothed by milling cutter  
 Seitlich plan gedrehte, wälzgefräste  
 Zahnkränze  
 Disques tournés sur les flancs, dentés à la  
 fraise  
 Discos torneadas en los lados, dientes  
 obtenidos con fresa madre

Z	De	Dp	CS		CD		CT		Z	De	Dp	CS		CD		CT	
			cod.	D	cod.	D	cod.	D				cod.	D	cod.	D	cod.	D
8	47,0	41,48	CS 10A08	10					44	230,0	222,53	CS 10A44	20				
9	52,6	46,42	CS 10A09	10					45	235,0	227,58	CS 10A45	20	CD 10A45	20	CT 10A45	25
10	57,5	51,37	CS 10A10	10					46	240,1	232,63	CS 10A46	20				
11	63,0	56,34	CS 10A11	10					47	245,1	237,68	CS 10A47	20				
12	68,0	61,34	CS 10A12	10					48	250,2	242,73	CS 10A48	20				
13	73,0	66,32	CS 10A13	10					49	255,2	247,78	CS 10A49	20				
14	78,0	71,34	CS 10A14	10					50	260,3	252,82	CS 10A50	20				
15	83,0	76,36	CS 10A15	10					51	265,3	257,87	CS 10A51	20				
16	88,0	81,37	CS 10A16	12					52	270,4	262,92	CS 10A52	20				
17	93,0	86,38	CS 10A17	12					53	275,4	267,97	CS 10A53	20				
18	98,3	91,42	CS 10A18	12					54	280,5	273,03	CS 10A54	20				
19	103,3	96,45	CS 10A19	12					55	285,5	278,08	CS 10A55	20				
20	108,4	101,49	CS 10A20	12					56	296,0	283,13	CS 10A56	25				
21	113,4	106,52	CS 10A21	12					57	290,6	288,18	CS 10A57	25	CD 10A57	25	CT 10A57	25
22	118,0	111,55	CS 10A22	12					58	300,7	293,23	CS 10A58	25				
23	123,5	116,58	CS 10A23	12					59	305,7	298,27	CS 10A59	25				
24	128,3	121,62	CS 10A24	12					60	310,8	303,32	CS 10A60	25				
25	134,0	126,66	CS 10A25	12					62	321,4	313,43	CS 10A62	25				
26	139,0	131,70	CS 10A26	16					64	331,5	321,53	CS 10A64	25				
27	144,0	136,75	CS 10A27	16					65	336,5	328,58	CS 10A65	25				
28	148,7	141,78	CS 10A28	16					66	341,6	333,63	CS 10A66	25				
29	153,8	146,83	CS 10A29	16					68	351,7	343,74	CS 10A68	25				
30	158,8	151,87	CS 10A30	16	CD 10A30	20	CT 10A30	20	70	361,8	353,84	CS 10A70	25				
31	163,9	156,92	CS 10A31	16					72	371,9	363,95	CS 10A72	25				
32	168,9	161,95	CS 10A32	16					75	387,1	379,09	CS 10A75	25				
33	174,5	167,00	CS 10A33	16					76	392,1	384,16	CS 10A76	25	CD 10A76	25	CT 10A76	30
34	179,0	172,05	CS 10A34	16					78	402,2	394,25	CS 10A78	25				
35	184,1	177,10	CS 10A35	20					80	412,3	404,35	CS 10A80	30				
36	189,1	182,15	CS 10A36	20					85	437,6	429,62	CS 10A85	30				
37	194,2	187,20	CS 10A37	20					90	462,8	454,88	CS 10A90	30				
38	199,2	192,24	CS 10A38	20	CD 10A38	20	CT 10A38	25	95	488,5	480,14	CS 10A95	30	CD 10A95	30		
39	204,2	197,29	CS 10A39	20					100	513,4	505,39	CS 1A100	30				
40	209,3	202,34	CS 10A40	20					110	563,9	555,92	CS 1A110	30				
41	214,8	207,39	CS 10A41	20					114	584,1	576,13	CS 1A114	30				
42	219,9	212,44	CS 10A42	20					120	614,4	606,45	CS 1A120	30				
43	224,9	217,49	CS 10A43	20					125	639,7	631,51	CS 1A125	30				



# Corone / Plate wheels / Kettenradscheiben / Disques / Discos

Corone per catene semplici, doppie e triple a rulli secondo: DIN 8188 - ISO/R 606 - ANSI B 29,1  
 Plate wheels for simplex, duplex and triplex chain to: DIN 8188 - ISO/R 606 - ANSI B 29,1  
 Kettenradscheiben mit einseitiger Nabe für Simplex- Duplex-Triplex-Rollenkette nach: DIN 8188 - ISO/R 606 - ANSI B 29,1  
 Disques avec moyeu déporté pour chaînes simples, doubles et triples à rouleaux suivant les normes: DIN 8188 - ISO/R 606 - ANSI B 29,1  
 Discos para cadena simple, doble y triple de rodillos según: DIN 8188 - ISO/R 606 - ANSI B 29,1

## 3/4" x 1/2"

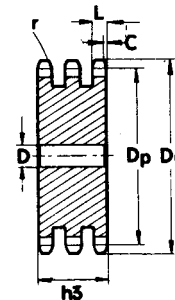
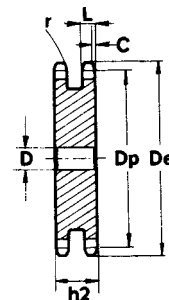
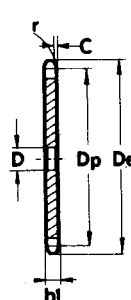
ASA 60 - 1-2-3 19,05 x 12,7 mm

CATENA:	CHAIN:	KETTE:	CHAÎNE:	CADENA:	ASA 60
Passo	Pitch	Teilung	Pas	Paso	19,05
Larghezza interna	Internal width	Innere Breite	Largeur interieure	Ancho interno	12,7
Rullo ø	Roller ø	Rollen ø	ø du rouleau	Rodillo ø	11,91



CORONE	PLATE WHEELS	KETTENRÄDSCHLEIBEN	DISQUES	DISCOS	ASA 60
Raggio dente r	Tooth radius r	Radius r	Rayon de denture r	Radio diente r	r 20
Larghezza raggio C	Radius width C	Breite C	Largeur de rayon C	Ancho radio C	C 2,4
Largh. dente h <sub>1</sub>	Tooth width h <sub>1</sub>	Zahnbreite h <sub>1</sub>	Larg. de denture h <sub>1</sub>	Ancho diente h <sub>1</sub>	h <sub>1</sub> 12
Largh. dente L	Tooth width L	Zahnbreite L	Larg. de denture L	Ancho diente L	L 11,8
Largh. dente h <sub>2</sub>	Tooth width h <sub>2</sub>	Zahnbreite h <sub>2</sub>	Larg. de denture h <sub>2</sub>	Ancho diente h <sub>2</sub>	h <sub>2</sub> 34,6
Largh. dente h <sub>3</sub>	Tooth width h <sub>3</sub>	Zahnbreite h <sub>3</sub>	Larg. de denture h <sub>3</sub>	Ancho diente h <sub>3</sub>	h <sub>3</sub> 57,4
Altezza totale H	Full height H	Gesamt Höhe H	Hauteur totale H	Altura total H	H -

Z	D <sub>e</sub>	D <sub>p</sub>	CS		CD		CT	
			cod.	D	cod.	D	cod.	D
30	192,14	182,25					CT 11A30	20
32	204,24	194,35			CD 11A32	20		
38	240,58	230,69	CS 11A38	20	CD 11A38	25	CT 11A38	25
40	252,69	242,80	CS 11A40	20	CD 11A40	25		
45	282,98	273,09	CS 11A45	25	CD 11A45	25	CT 11A45	25
48	301,16	291,27	CS 11A48	25				
57	355,70	345,81	CS 11A57	25	CD 11A57	25	CT 11A57	30
76	470,87	460,98	CS 11A76	25	CD 11A76	30	CT 11A76	30
95	586,06	576,17			CD 11A95	30		



## 1" x 5/8"

ASA 80 - 1-2-3 25,4 x 15,88 mm

CATENA:	CHAIN:	KETTE:	CHAÎNE:	CADENA:	ASA 80
Passo	Pitch	Teilung	Pas	Paso	25,4
Larghezza interna	Internal width	Innere Breite	Largeur interieure	Ancho interno	15,88
Rullo ø	Roller ø	Rollen ø	ø du rouleau	Rodillo ø	15,88

CORONE	PLATE WHEELS	KETTENRÄDSCHLEIBEN	DISQUES	DISCOS	ASA 80
Raggio dente r	Tooth radius r	Radius r	Rayon de denture r	Radio diente r	r 27
Larghezza raggio C	Radius width C	Breite C	Largeur de rayon C	Ancho radio C	C 3,2
Largh. dente h <sub>1</sub>	Tooth width h <sub>1</sub>	Zahnbreite h <sub>1</sub>	Larg. de denture h <sub>1</sub>	Ancho diente h <sub>1</sub>	h <sub>1</sub> 15
Largh. dente L	Tooth width L	Zahnbreite L	Larg. de denture L	Ancho diente L	L 14,7
Largh. dente h <sub>2</sub>	Tooth width h <sub>2</sub>	Zahnbreite h <sub>2</sub>	Larg. de denture h <sub>2</sub>	Ancho diente h <sub>2</sub>	h <sub>2</sub> 44,0
Largh. dente h <sub>3</sub>	Tooth width h <sub>3</sub>	Zahnbreite h <sub>3</sub>	Larg. de denture h <sub>3</sub>	Ancho diente h <sub>3</sub>	h <sub>3</sub> 73,3
Altezza totale H	Full height H	Gesamt Höhe H	Hauteur totale H	Altura total H	H -

Corone tornite sui lati, dentate con creatore  
 Plate Wheels turned on both sides and toothed by milling cutter  
 Seitlich plan gedrehte, wälzgefräste Zahnkränze  
 Disques tournés sur les flancs, dentés à la fraise  
 Discos torneadas en los lados, dientes obtenidos con fresa madre

Z	D <sub>e</sub>	D <sub>p</sub>	CS		CD		CT	
			cod.	D	cod.	D	cod.	D
10	95,32	82,19	CS 12A10	15				
11	103,28	90,14	CS 12A11	15				
12	111,26	98,14	CS 12A12	15				
13	119,26	106,12	CS 12A13	15				
14	127,27	114,15	CS 12A14	15				
15	135,29	122,17	CS 12A15	15				
16	143,32	130,20	CS 12A16	20				
17	151,35	138,22	CS 12A17	20				
18	159,39	146,28	CS 12A18	20				
19	167,44	154,33	CS 12A19	20				
20	175,49	162,38	CS 12A20	20				
21	183,54	170,43	CS 12A21	20				
22	191,60	178,48	CS 12A22	20				
23	199,66	186,53	CS 12A23	20				
24	207,72	194,59	CS 12A24	20				
25	215,78	202,66	CS 12A25	20	CD 12A25	25	CT 12A25	30

Z	D <sub>e</sub>	D <sub>p</sub>	CS		CD		CT	
			cod.	D	cod.	D	cod.	D
26	223,84	210,72	CS 12A26	20				
27	231,91	218,79	CS 12A27	20				
28	239,98	226,85	CS 12A28	20				
30	256,12	243,00	CS 12A30	20	CD 12A30	25	CT 12A30	30
32	272,26	259,13	CS 12A32	25				
35	296,48	283,36	CS 12A35	25				
38	320,70	307,59	CS 12A38	25	CD 12A38	25	CT 12A38	30
45	377,24	364,12	CS 12A45	25	CD 12A45	25	CT 12A45	30
50	417,64	404,52	CS 12A50	25				
57	474,20	461,08	CS 12A57	25	CD 12A57	25	CT 12A57	40
76	627,80	614,64	CS 12A76	25	CD 12A76	25	CT 12A76	40



## Corone / Plate wheels / Kettenradscheiben / Disques / Discos

Corone per catene semplici, doppie e triple a rulli secondo: DIN 8188 - ISO/R 606 - ANSI B 29,1

Plate wheels for simplex, duplex and triplex chain to: DIN 8188 - ISO/R 606 - ANSI B 29,1

Kettenradscheiben mit einseitiger Nabe für Simplex- Duplex-Triplex-Rollenkette nach:

DIN 8188 - ISO/R 606 - ANSI B 29,1

Disques avec moyeu déporté pour chaînes simples, doubles et triples à rouleaux suivant les normes:

DIN 8188 - ISO/R 606 - ANSI B 29,1

Discos para cadena simple, doble y triple de rodillos según: DIN 8188 - ISO/R 606 - ANSI B 29,1

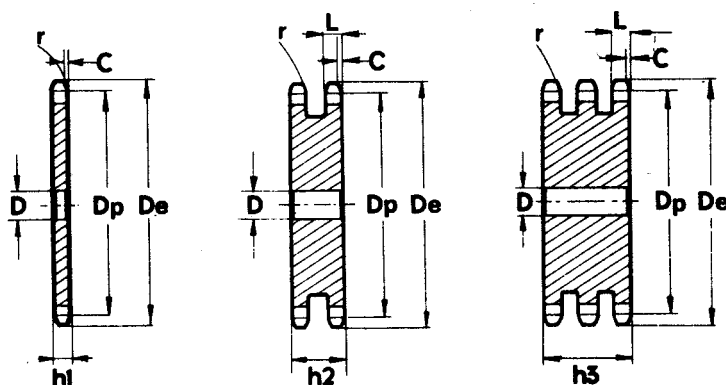


### 1"1/4 x 3/4"

ASA 100 - 1-2-3 31,75 x 19,05 mm

CATENA:	CHAIN:	KETTE:	CHAÎNE:	CADENA:	ASA 100
Passo	Pitch	Teilung	Pas	Paso	31,75
Larghezza interna	Internal width	Innere Breite	Largeur interieure	Ancho interno	19,05
Rullo ø	Roller ø	Rollen ø	ø du rouleau	Rodillo ø	19,05

CORONE	PLATE WHEELS	KETTENRÄDSCHLEIBEN	DISQUES	DISCOS	ASA 100
Raggio dente r	Tooth radius r	Radius r	Rayon de denture r	Radio diente r	r 33,5
Larghezza raggio C	Radius width C	Breite C	Largeur de rayon C	Ancho radio C	C 4
Largh. dente h <sub>1</sub>	Tooth width h <sub>1</sub>	Zahnbreite h <sub>1</sub>	Larg. de denture h <sub>1</sub>	Ancho diente h <sub>1</sub>	h <sub>1</sub> 18
Largh. dente L	Tooth width L	Zahnbreite L	Larg. de denture L	Ancho diente L	L 17,7
Largh. dente h <sub>2</sub>	Tooth width h <sub>2</sub>	Zahnbreite h <sub>2</sub>	Larg. de denture h <sub>2</sub>	Ancho diente h <sub>2</sub>	h <sub>2</sub> 53,5
Largh. dente h <sub>3</sub>	Tooth width h <sub>3</sub>	Zahnbreite h <sub>3</sub>	Larg. de denture h <sub>3</sub>	Ancho diente h <sub>3</sub>	h <sub>3</sub> 89,2
Altezza totale H	Full height H	Gesamt Höhe H	Hauteur totale H	Altura total H	H -



Corone tornite sui lati, dentate con creatore  
Plate Wheels turned on both sides and  
toothed by milling cutter  
Seitlich plan gedrehte, wälzgefräste  
Zahnkränze  
Disques tournés sur les flancs, dentés à la  
fraise  
Discos torneadas en los lados, dientes  
obtenidos con fresa madre

Z	D <sub>e</sub>	D <sub>p</sub>	CS		CD	
			cod.	D	cod.	D
8	98,1	82,96	CS 15A08	16		
9	108,0	92,84	CS 15A09	16		
10	117,9	102,74	CS 15A10	16		
11	127,8	112,68	CS 15A11	16		
12	137,8	122,68	CS 15A12	20		
13	147,8	132,65	CS 15A13	20		
14	157,8	142,68	CS 15A14	20		
15	167,9	152,72	CS 15A15	20		
16	177,9	162,75	CS 15A16	25		
17	187,9	172,78	CS 15A17	25		
18	198,0	182,85	CS 15A18	25		
19	208,1	192,91	CS 15A19	25		
20	218,1	202,98	CS 15A20	25	CD 05A20	25
21	228,2	213,04	CS 15A21	25		
22	238,3	223,11	CS 15A22	25		
23	248,3	233,17	CS 15A23	25		
24	258,4	243,23	CS 15A24	25		
25	268,5	253,33	CS 15A25	25	CD 15A25	25

Z	D <sub>e</sub>	D <sub>p</sub>	CS		CD	
			cod.	D	cod.	D
26	278,6	263,40	CS 15A26	25		
27	288,6	273,40	CS 15A27	25		
28	298,7	283,56	CS 15A28	25		
29	308,8	293,65	CS 15A29	25		
30	318,9	303,75	CS 15A30	25	CD 15A30	25
31	329,0	313,85	CS 15A31	25		
32	339,1	323,91	CS 15A32	25		
33	349,2	334,01	CS 15A33	25		
34	359,3	344,10	CS 15A34	25		
35	369,4	354,20	CS 15A35	25		
36	379,5	364,30	CS 15A36	25		
37	389,5	374,39	CS 15A37	25		
38	399,6	384,49	CS 15A38	25	CD 15A38	30
39	409,7	394,59	CS 15A39	25		
40	419,8	404,68	CS 15A40	25		
45	470,3	455,17	CS 15A45	30	CD 05A45	30
57	591,5	576,36	CS 15A57	30	CD 05A57	30



## Corone / Plate wheels / Kettenradscheiben / Disques / Discos

Corone per catene semplici, doppie e triple a rulli secondo: DIN 8188 - ISO/R 606 - ANSI B 29,1

Plate wheels for simplex, duplex and triplex chain to: DIN 8188 - ISO/R 606 - ANSI B 29,1

Kettenradscheiben mit einseitiger Nabe für Simplex- Duplex-Triplex-Rollenkette nach:

DIN 8188 - ISO/R 606 - ANSI B 29,1

Disques avec moyeu déporté pour chaînes simples, doubles et triples à rouleaux suivant les normes:

DIN 8188 - ISO/R 606 - ANSI B 29,1

Discos para cadena simple, doble y triple de rodillos según: DIN 8188 - ISO/R 606 - ANSI B 29,1

### 1"1/2 x 1"

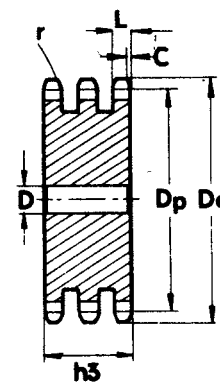
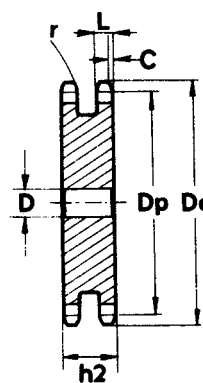
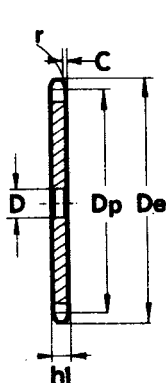
ASA 120 - 1-2-3 38,1 x 25,4 mm

CATENA:	CHAIN:	KETTE:	CHAÎNE:	CADENA:	ASA 120
Passo	Pitch	Teilung	Pas	Paso	38,1
Larghezza interna	Internal width	Innere Breite	Largeur interieure	Ancho interno	25,4
Rullo $\phi$	Roller $\phi$	Rollen $\phi$	$\phi$ du rouleau	Rodillo $\phi$	22,22

CORONE	PLATE WHEELS	KETTENRÄDSCHLEIBEN	DISQUES	DISCOS	ASA 120
Raggio dente r	Tooth radius r	Radius r	Rayon de denture r	Radio diente r	r 40,5
Larghezza raggio C	Radius width C	Breite C	Largeur de rayon C	Ancho radio C	C 4,8
Largh. dente $h_1$	Tooth width $h_1$	Zahnbreite $h_1$	Larg. de denture $h_1$	Ancho diente $h_1$	$h_1$ 24,1
Largh. dente L	Tooth width L	Zahnbreite L	Larg. de denture L	Ancho diente L	L 23,6
Largh. dente $h_2$	Tooth width $h_2$	Zahnbreite $h_2$	Larg. de denture $h_2$	Ancho diente $h_2$	$h_2$ 69
Largh. dente $h_3$	Tooth width $h_3$	Zahnbreite $h_3$	Larg. de denture $h_3$	Ancho diente $h_3$	$h_3$ 114,5
Altezza totale H	Full height H	Gesamt Höhe H	Hauteur totale H	Altura total H	H -



Z	$D_e$	$D_p$	CS		CD	
			cod.	D	cod.	D
16	214,77	195,29	CS 14A16	25	CD 14A17	25
17	226,83	207,35	CS 14A17	25	CD 14A18	25
18	238,89	219,41	CS 14A18	25	CD 14A20	25
20	263,03	243,55	CS 14A20	25	CD 14A20	25
22	287,20	267,72	CS 14A22	25		
25	323,47	303,99	CS 14A25	25	CD 14A25	25
30	383,97	364,49	CS 14A30	25	CD 14A30	30
32	408,19	388,71	CS 14A32	30		
38	480,85	461,37	CS 14A38	30	CD 14A38	30
45	565,67	546,19	CS 14A45	30	CD 14A45	40
57	711,10	691,62	CS 14A57	30	CD 14A57	40



### 1"3/4 x 1"1/4

ASA 140 - 1-2-3 44,45 x 25,4 mm

CATENA:	CHAIN:	KETTE:	CHAÎNE:	CADENA:	ASA 140
Passo	Pitch	Teilung	Pas	Paso	44,45
Larghezza interna	Internal width	Innere Breite	Largeur interieure	Ancho interno	25,4
Rullo $\phi$	Roller $\phi$	Rollen $\phi$	$\phi$ du rouleau	Rodillo $\phi$	25,4

CORONE	PLATE WHEELS	KETTENRÄDSCHLEIBEN	DISQUES	DISCOS	ASA 140
Raggio dente r	Tooth radius r	Radius r	Rayon de denture r	Radio diente r	r 47,5
Larghezza raggio C	Radius width C	Breite C	Largeur de rayon C	Ancho radio C	C 5,8
Largh. dente $h_1$	Tooth width $h_1$	Zahnbreite $h_1$	Larg. de denture $h_1$	Ancho diente $h_1$	$h_1$ 24,1
Largh. dente L	Tooth width L	Zahnbreite L	Larg. de denture L	Ancho diente L	L 23,6
Largh. dente $h_2$	Tooth width $h_2$	Zahnbreite $h_2$	Larg. de denture $h_2$	Ancho diente $h_2$	$h_2$ 72,5
Largh. dente $h_3$	Tooth width $h_3$	Zahnbreite $h_3$	Larg. de denture $h_3$	Ancho diente $h_3$	$h_3$ 121,3
Altezza totale H	Full height H	Gesamt Höhe H	Hauteur totale H	Altura total H	H -

### 2" x 1"1/4

ASA 160 - 1-2-3 50,8 x 31,75 mm

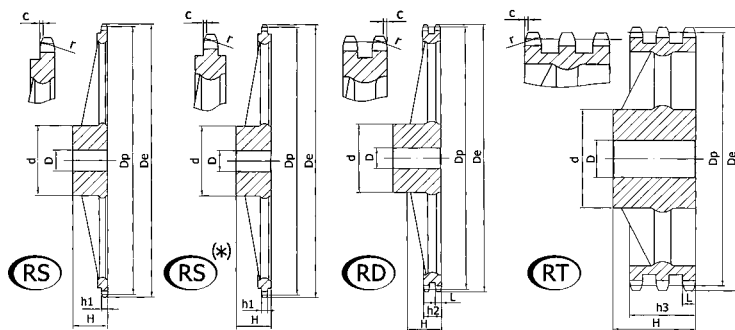
CATENA:	CHAIN:	KETTE:	CHAÎNE:	CADENA:	ASA 160
Passo	Pitch	Teilung	Pas	Paso	50,8
Larghezza interna	Internal width	Innere Breite	Largeur interieure	Ancho interno	31,75
Rullo $\phi$	Roller $\phi$	Rollen $\phi$	$\phi$ du rouleau	Rodillo $\phi$	28,58

CORONE	PLATE WHEELS	KETTENRÄDSCHLEIBEN	DISQUES	DISCOS	ASA 160
Raggio dente r	Tooth radius r	Radius r	Rayon de denture r	Radio diente r	r 54
Larghezza raggio C	Radius width C	Breite C	Largeur de rayon C	Ancho radio C	C 7
Largh. dente $h_1$	Tooth width $h_1$	Zahnbreite $h_1$	Larg. de denture $h_1$	Ancho diente $h_1$	$h_1$ 30,1
Largh. dente L	Tooth width L	Zahnbreite L	Larg. de denture L	Ancho diente L	L 29,5
Largh. dente $h_2$	Tooth width $h_2$	Zahnbreite $h_2$	Larg. de denture $h_2$	Ancho diente $h_2$	$h_2$ 88
Largh. dente $h_3$	Tooth width $h_3$	Zahnbreite $h_3$	Larg. de denture $h_3$	Ancho diente $h_3$	$h_3$ 146,6
Altezza totale H	Full height H	Gesamt Höhe H	Hauteur totale H	Altura total H	H -

Corone tornite sui lati, dentate con creatore  
Plate Wheels turned on both sides and  
toothed by milling cutter  
Seitlich plan gedrehte, wälzgefräste  
Zahnkränze  
Disques tournés sur les flancs, dentés à la  
fraise  
Discos torneadas en los lados, dientes  
obtenidos con fresa madre



# Ruote in ghisa - Cast iron sprockets Kettenräder aus Gusseisen - Roues en fonte - Rueda en fundicion



## Ghisa - Cast iron - Grauguss - Hierro fundido EN-GJL-200 UNI EN 1561

**3/8" x 7/32"**  
**9,525 x 5,72 mm**  
**06B - 1 - 2 - 3**  
**DIN 8187**  
**ISO/R 606**

CATENA:	CHAIN:	KETTE:	CHAÎNE:	CADENA:	mm
Passo	Pitch	Teilung	Pas	Paso	<b>9,525</b>
Larghezza interna	Internal width	Innere Breite	Largeur interieure	Ancho interno	<b>5,72</b>
Rullo $\phi$	Roller $\phi$	Rollen $\phi$	$\phi$ du rouleau	Rodillo $\phi$	<b>6,35</b>

PIGNONE	SPROCKETS	KETTENRÄDER	PIGNONS	PIÑONES	mm
Raggio dente r	Tooth radius r	Radius r	Rayon de denture r	Radio diente r	<b>r 10</b>
Larghezza raggio C	Radius width C	Breite C	Largeur de rayon C	Ancho radio C	<b>C 1</b>
Largh. dente $h_1$	Tooth width $h_1$	Zahnbreite $h_1$	Larg. de denture $h_1$	Ancho diente $h_1$	<b><math>h_1</math> 5,3</b>
Largh. dente L	Tooth width L	Zahnbreite L	Larg. de denture L	Ancho diente L	<b>L 5,2</b>
Largh. dente $h_2$	Tooth width $h_2$	Zahnbreite $h_2$	Larg. de denture $h_2$	Ancho diente $h_2$	<b><math>h_2</math> 15,4</b>
Largh. dente $h_3$	Tooth width $h_3$	Zahnbreite $h_3$	Larg. de denture $h_3$	Ancho diente $h_3$	<b><math>h_3</math> 25,6</b>
Altezza totale H	Full height H	Gesamt Höhe H	Hauteur totale H	Altura total H	<b>H -</b>

Z	D <sub>e</sub>	D <sub>p</sub>	RS			RD			RT					
			cod.	d	D	H	cod.	d	D	H	cod.	d	D	H
38	119,5	115,34	RS 05038	70	19	32	RD 05038	80	19	40	RT 05038	90	23	56
45	140,7	136,54	RS 05045	70	19	32	RD 05045	80	19	40	RT 05045	90	23	56
57	176,9	172,91	RS 05057	70	19	32	RD 05057	80	19	40	RT 05057	90	23	56
76	234,9	230,49	RS 05076	70	19	32	RD 05076	80	19	40	RT 05076	100	23	56
* 95	292,5	288,08	RS 05095	80	19	40	RD 05095	90	19	45	RT 05095	100	23	56
* 114	349,6	345,68	RS 05114	80	19	40	RD 05114	95	19	45	RT 05114	100	23	56
* 150	459,2	454,82	RS 05150	90	23	45	RD 05150	100	23	50	RT 05150	125	23	60

**1/2" x 5/16"**  
**12,7 x 7,75 mm**  
**08B - 1 - 2 - 3**  
**DIN 8187**  
**ISO/R 606**

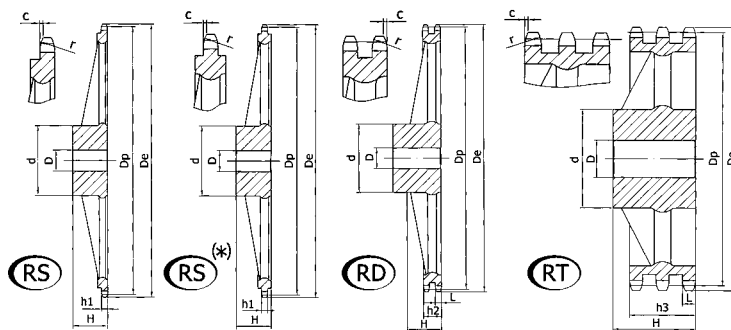
CATENA:	CHAIN:	KETTE:	CHAÎNE:	CADENA:	mm
Passo	Pitch	Teilung	Pas	Paso	<b>12,7</b>
Larghezza interna	Internal width	Innere Breite	Largeur interieure	Ancho interno	<b>7,75</b>
Rullo $\phi$	Roller $\phi$	Rollen $\phi$	$\phi$ du rouleau	Rodillo $\phi$	<b>8,51</b>

PIGNONE	SPROCKETS	KETTENRÄDER	PIGNONS	PIÑONES	mm
Raggio dente r	Tooth radius r	Radius r	Rayon de denture r	Radio diente r	<b>r 13</b>
Larghezza raggio C	Radius width C	Breite C	Largeur de rayon C	Ancho radio C	<b>C 1,3</b>
Largh. dente $h_1$	Tooth width $h_1$	Zahnbreite $h_1$	Larg. de denture $h_1$	Ancho diente $h_1$	<b><math>h_1</math> 7,2</b>
Largh. dente L	Tooth width L	Zahnbreite L	Larg. de denture L	Ancho diente L	<b>L 7</b>
Largh. dente $h_2$	Tooth width $h_2$	Zahnbreite $h_2$	Larg. de denture $h_2$	Ancho diente $h_2$	<b><math>h_2</math> 21</b>
Largh. dente $h_3$	Tooth width $h_3$	Zahnbreite $h_3$	Larg. de denture $h_3$	Ancho diente $h_3$	<b><math>h_3</math> 34,9</b>
Altezza totale H	Full height H	Gesamt Höhe H	Hauteur totale H	Altura total H	<b>H -</b>

Z	D <sub>e</sub>	D <sub>p</sub>	RS			RD			RT					
			cod.	d	D	H	cod.	d	D	H	cod.	d	D	H
38	158,6	153,80	RS 09038	70	19	40	RD 09038	90	23	50	RT 09038	100	23	60
45	188,0	182,07	RS 09045	70	19	40	RD 09045	90	23	50	RT 09045	100	23	60
57	236,4	230,54	RS 09057	70	19	40	RD 09057	90	23	50	RT 09057	100	23	60
76	313,3	307,33	RS 09076	80	23	40	RD 09076	100	23	56	RT 09076	100	23	60
* 95	390,1	384,11	RS 09095	80	23	45	RD 09095	100	23	56	RT 09095	120	23	67
* 114	466,9	460,90	RS 09114	80	23	45	RD 09114	100	23	63	RT 09114	120	23	67

# Ruote in ghisa - Cast iron sprockets Kettenräder aus Gusseisen - Roues en fonte - Rueda en fundicion



## Ghisa - Cast iron - Grauguss - Hierro fundido EN-GJL-200 UNI EN 1561

**5/8" x 3/8"**  
**15,875 x 9,65 mm**  
**10B - 1 - 2 - 3**  
**DIN 8187**  
**ISO/R 606**

CATENA:	CHAIN:	KETTE:	CHAÎNE:	CADENA:	mm
Passo	Pitch	Teilung	Pas	Paso	15,875
Larghezza interna	Internal width	Innere Breite	Largeur interieure	Ancho interno	9,65
Rullo $\phi$	Roller $\phi$	Rollen $\phi$	$\phi$ du rouleau	Rodillo $\phi$	10,16

PIGNONE	SPROCKETS	KETTENRÄDER	PIGNONS	PIÑONES	mm
Raggio dente r	Tooth radius r	Radius r	Rayon de denture r	Radio diente r	r 16
Larghezza raggio C	Radius width C	Breite C	Largeur de rayon C	Ancho radio C	C 1,6
Largh. dente $h_1$	Tooth width $h_1$	Zahnbreite $h_1$	Larg. de denture $h_1$	Ancho diente $h_1$	$h_1$ 9,1
Largh. dente L	Tooth width L	Zahnbreite L	Larg. de denture L	Ancho diente L	L 9
Largh. dente $h_2$	Tooth width $h_2$	Zahnbreite $h_2$	Larg. de denture $h_2$	Ancho diente $h_2$	$h_2$ 25,5
Largh. dente $h_3$	Tooth width $h_3$	Zahnbreite $h_3$	Larg. de denture $h_3$	Ancho diente $h_3$	$h_3$ 42,1
Altezza totale H	Full height H	Gesamt Höhe H	Hauteur totale H	Altura total H	H -

Z	$D_e$	$D_p$	RS			RD			RT					
			cod.	d	D	H	cod.	d	D	H	cod.	d	D	H
38	199,2	192,24	RS 10038	80	19	40	RD 10038	100	29	50	RT 10038	100	31	60
45	235,0	227,58	RS 10045	80	19	40	RD 10045	100	29	50	RT 10045	100	31	60
57	296,0	288,18	RS 10057	90	23	45	RD 10057	100	29	56	RT 10057	100	31	63
* 76	392,1	384,16	RS 10076	90	23	50	RD 10076	100	29	63	RT 10076	110	34	67
* 95	488,5	480,14	RS 10095	100	23	56	RD 10095	110	29	63	RT 10095	125	34	70
* 114	584,1	576,13	RS 10114	100	23	56	RD 10114	125	29	70	RT 10114	125	34	80

**3/4" x 7/16"**  
**19,05 x 11,68 mm**  
**12B - 1 - 2 - 3**  
**DIN 8187**  
**ISO/R 606**

CATENA:	CHAIN:	KETTE:	CHAÎNE:	CADENA:	mm
Passo	Pitch	Teilung	Pas	Paso	19,05
Larghezza interna	Internal width	Innere Breite	Largeur interieure	Ancho interno	11,68
Rullo $\phi$	Roller $\phi$	Rollen $\phi$	$\phi$ du rouleau	Rodillo $\phi$	12,07

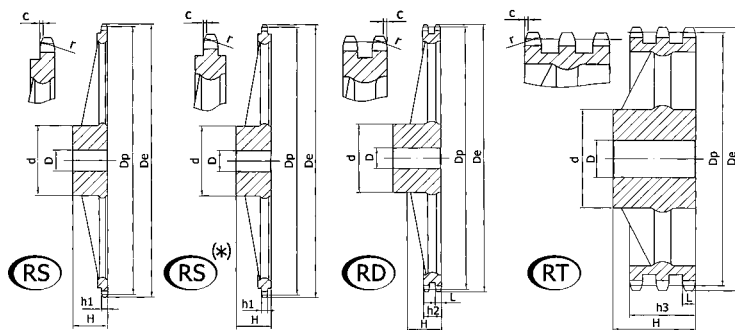
  

PIGNONE	SPROCKETS	KETTENRÄDER	PIGNONS	PIÑONES	mm
Raggio dente r	Tooth radius r	Radius r	Rayon de denture r	Radio diente r	r 19
Larghezza raggio C	Radius width C	Breite C	Largeur de rayon C	Ancho radio C	C 2
Largh. dente $h_1$	Tooth width $h_1$	Zahnbreite $h_1$	Larg. de denture $h_1$	Ancho diente $h_1$	$h_1$ 11,1
Largh. dente L	Tooth width L	Zahnbreite L	Larg. de denture L	Ancho diente L	L 10,8
Largh. dente $h_2$	Tooth width $h_2$	Zahnbreite $h_2$	Larg. de denture $h_2$	Ancho diente $h_2$	$h_2$ 30,3
Largh. dente $h_3$	Tooth width $h_3$	Zahnbreite $h_3$	Larg. de denture $h_3$	Ancho diente $h_3$	$h_3$ 49,8
Altezza totale H	Full height H	Gesamt Höhe H	Hauteur totale H	Altura total H	H -

Z	$D_e$	$D_p$	RS			RD			RT					
			cod.	d	D	H	cod.	d	D	H	cod.	d	D	H
38	239,0	230,69	RS 11038	100	23	56	RD 11038	110	29	63	RT 11038	140	30	70
45	282,5	273,10	RS 11045	100	23	56	RD 11045	110	29	63	RT 11045	140	30	70
57	355,4	345,81	RS 11057	100	29	56	RD 11057	120	29	63	RT 11057	140	39	70
* 76	469,9	460,99	RS 11076	100	29	56	RD 11076	135	29	63	RT 11076	160	39	75
* 95	585,1	576,17	RS 11095	100	29	65	RD 11095	135	29	70	RT 11095	170	39	82
* 114	700,6	691,36	RS 11114	100	29	65	RD 11114	135	29	70	RT 11114	170	49	82



# Ruote in ghisa - Cast iron sprockets Kettenräder aus Gusseisen - Roues en fonte - Rueda en fundicion



## Ghisa - Cast iron - Grauguss - Hierro fundido EN-GJL-200 UNI EN 1561

**1" x 17,02 mm**  
**25,4 x 17,02 mm**  
**16B - 1 - 2 - 3**  
**DIN 8187**  
**ISO/R 606**

CATENA:	CHAIN:	KETTE:	CHAÎNE:	CADENA:	mm
Passo	Pitch	Teilung	Pas	Paso	<b>25,4</b>
Larghezza interna	Internal width	Innere Breite	Largeur interieure	Ancho interno	<b>17,02</b>
Rullo $\phi$	Roller $\phi$	Rollen $\phi$	$\phi$ du rouleau	Rodillo $\phi$	<b>15,88</b>

PIGNONE	SPROCKETS	KETTENRÄDER	PIGNONS	PIÑONES	mm
Raggio dente r	Tooth radius r	Radius r	Rayon de denture r	Radio diente r	<b>r 26</b>
Larghezza raggio C	Radius width C	Breite C	Largeur de rayon C	Ancho radio C	<b>C 2,5</b>
Largh. dente $h_1$	Tooth width $h_1$	Zahnbreite $h_1$	Larg. de denture $h_1$	Ancho diente $h_1$	<b><math>h_1</math> 16,2</b>
Largh. dente L	Tooth width L	Zahnbreite L	Larg. de denture L	Ancho diente L	<b>L 15,8</b>
Largh. dente $h_2$	Tooth width $h_2$	Zahnbreite $h_2$	Larg. de denture $h_2$	Ancho diente $h_2$	<b><math>h_2</math> 47,7</b>
Largh. dente $h_3$	Tooth width $h_3$	Zahnbreite $h_3$	Larg. de denture $h_3$	Ancho diente $h_3$	<b><math>h_3</math> 79,6</b>
Altezza totale H	Full height H	Gesamt Höhe H	Hauteur totale H	Altura total H	<b>H -</b>

Z	$D_e$	$D_p$	RS			RD			RT					
			cod.	d	D	H	cod.	d	D	H	cod.	d	D	H
38	320,0	307,59	RS 12038	110	29	65	RD 12038	140	39	75	RT 12038	160	44	100
45	377,1	364,12	RS 12045	125	29	70	RD 12045	150	39	75	RT 12045	160	44	100
57	474,0	461,07	RS 12057	125	34	70	RD 12057	170	39	90	RT 12057	165	44	100
76	627,0	614,65	RS 12076	140	34	80	RD 12076	175	39	95	RT 12076	200	44	110
95	781,1	768,22	RS 12095	140	39	80	RD 12095	175	44	95	RT 12095	200	49	110
* 114	934,3	921,81	RS 12114	140	39	80	RD 12114	175	44	95	RT 12114	200	49	115

**1"1/4 x 3/4"**  
**31,75 x 19,56 mm**  
**20B - 1 - 2 - 3**  
**DIN 8187**  
**ISO/R 606**

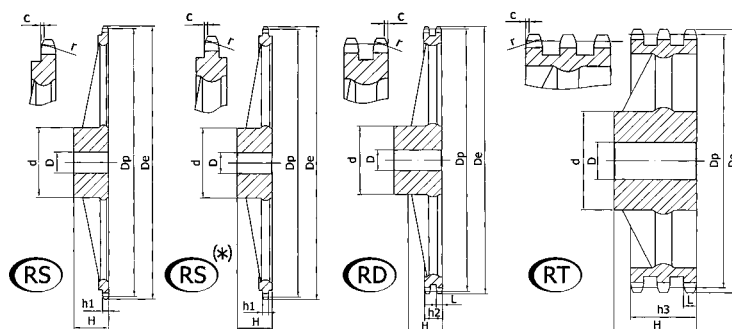
CATENA:	CHAIN:	KETTE:	CHAÎNE:	CADENA:	mm
Passo	Pitch	Teilung	Pas	Paso	<b>31,75</b>
Larghezza interna	Internal width	Innere Breite	Largeur interieure	Ancho interno	<b>19,56</b>
Rullo $\phi$	Roller $\phi$	Rollen $\phi$	$\phi$ du rouleau	Rodillo $\phi$	<b>19,05</b>

PIGNONE	SPROCKETS	KETTENRÄDER	PIGNONS	PIÑONES	mm
Raggio dente r	Tooth radius r	Radius r	Rayon de denture r	Radio diente r	<b>r 32</b>
Larghezza raggio C	Radius width C	Breite C	Largeur de rayon C	Ancho radio C	<b>C 3,5</b>
Largh. dente $h_1$	Tooth width $h_1$	Zahnbreite $h_1$	Larg. de denture $h_1$	Ancho diente $h_1$	<b><math>h_1</math> 18,5</b>
Largh. dente L	Tooth width L	Zahnbreite L	Larg. de denture L	Ancho diente L	<b>L 18,2</b>
Largh. dente $h_2$	Tooth width $h_2$	Zahnbreite $h_2$	Larg. de denture $h_2$	Ancho diente $h_2$	<b><math>h_2</math> 54,6</b>
Largh. dente $h_3$	Tooth width $h_3$	Zahnbreite $h_3$	Larg. de denture $h_3$	Ancho diente $h_3$	<b><math>h_3</math> 91</b>
Altezza totale H	Full height H	Gesamt Höhe H	Hauteur totale H	Altura total H	<b>H -</b>

Z	$D_e$	$D_p$	RS			RD			RT					
			cod.	d	D	H	cod.	d	D	H	cod.	d	D	H
38	399,6	384,49	RS 13038	125	35	70	RD 13038	140	44	90	RT 13038	180	56	110
45	470,3	455,17	RS 13045	125	35	70	RD 13045	140	44	90	RT 13045	180	56	110
57	591,5	576,36	RS 13057	135	40	80	RD 13057	160	50	100	RT 13057	180	60	125
76	783,5	768,32	RS 13076	140	40	90	RD 13076	180	50	100	RT 13076	200	60	140

# Ruote in ghisa - Cast iron sprockets Kettenräder aus Gusseisen - Roues en fonte - Rueda en fundicion



## Ghisa - Cast iron - Grauguss - Hierro fundido EN-GJL-200 UNI EN 1561

1"1/2 x 1"  
38,1 x 25,4 mm  
24B - 1 - 2 - 3  
DIN 8187  
ISO/R 606

CATENA:	CHAIN:	KETTE:	CHAÎNE:	CADENA:	mm
Passo	Pitch	Teilung	Pas	Paso	38,1
Larghezza interna	Internal width	Innere Breite	Largeur interieure	Ancho interno	25,4
Rullo $\phi$	Roller $\phi$	Rollen $\phi$	$\phi$ du rouleau	Rodillo $\phi$	25,4

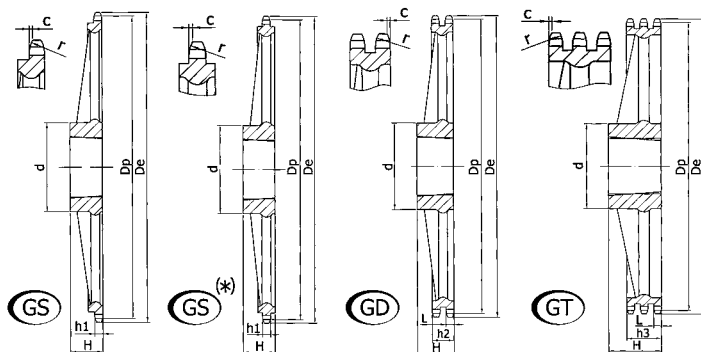
PIGNONE	SPROCKETS	KETTENRÄDER	PIGNONS	PIÑONES	mm
Raggio dente r	Tooth radius r	Radius r	Rayon de denture r	Radio diente r	r 38
Larghezza raggio C	Radius width C	Breite C	Largeur de rayon C	Ancho radio C	C 4
Largh. dente $h_1$	Tooth width $h_1$	Zahnbreite $h_1$	Larg. de denture $h_1$	Ancho diente $h_1$	$h_1$ 24,1
Largh. dente L	Tooth width L	Zahnbreite L	Larg. de denture L	Ancho diente L	L 23,6
Largh. dente $h_2$	Tooth width $h_2$	Zahnbreite $h_2$	Larg. de denture $h_2$	Ancho diente $h_2$	$h_2$ 72
Largh. dente $h_3$	Tooth width $h_3$	Zahnbreite $h_3$	Larg. de denture $h_3$	Ancho diente $h_3$	$h_3$ 120,3
Altezza totale H	Full height H	Gesamt Höhe H	Hauteur totale H	Altura total H	H -

Z	$D_e$	$D_p$	RS			RD			RT					
			cod.	d	D	H	cod.	d	D	H	cod.	d	D	H
38	476,2	461,39	RS 14038	140	45	90	RD 14038	180	45	100	RT 14038	200	60	150
45	561,2	546,20	RS 14045	140	45	90	RD 14045	180	45	100	RT 14045	200	60	150
57	706,5	691,63	RS 14057	160	45	100	RD 14057	200	55	110	RT 14057	200	70	150
76	936,9	921,98	RS 14076	170	45	100	RD 14076	220	55	120	RT 14076	250	70	150
* 95	1167,3	1152,33	RS 14095	200	50	125	RD 14095	220	55	140				





# Ruote in ghisa per bussola - Taper bored cast iron sprockets Kettenräder aus Gusseisen für Spannbuchsen - Roues en fonte à moyeu amovible Rueda en fundicion para casquillos conicos



## Ghisa - Cast iron - Grauguss - Hierro fundido EN-GJL-200 UNI EN 1561

**3/8" x 7/32"**  
**9,525 x 5,72 mm**  
**06B - 1 - 2 - 3**  
**DIN 8187**  
**ISO/R 606**

CATENA:	CHAIN:	KETTE:	CHAÎNE:	CADENA:	mm
Passo	Pitch	Teilung	Pas	Paso	<b>9,525</b>
Larghezza interna	Internal width	Innere Breite	Largeur interieure	Ancho interno	<b>5,72</b>
Rullo $\phi$	Roller $\phi$	Rollen $\phi$	$\phi$ du rouleau	Rodillo $\phi$	<b>6,35</b>

PIGNONE	SPROCKETS	KETTENRÄDER	PIGNONS	PIÑONES	mm
Raggio dente r	Tooth radius r	Radius r	Rayon de denture r	Radio diente r	<b>r 10</b>
Larghezza raggio C	Radius width C	Breite C	Largeur de rayon C	Ancho radio C	<b>C 1</b>
Largh. dente $h_1$	Tooth width $h_1$	Zahnbreite $h_1$	Larg. de denture $h_1$	Ancho diente $h_1$	<b><math>h_1</math> 5,3</b>
Largh. dente L	Tooth width L	Zahnbreite L	Larg. de denture L	Ancho diente L	<b>L 5,2</b>
Largh. dente $h_2$	Tooth width $h_2$	Zahnbreite $h_2$	Larg. de denture $h_2$	Ancho diente $h_2$	<b><math>h_2</math> 15,4</b>
Largh. dente $h_3$	Tooth width $h_3$	Zahnbreite $h_3$	Larg. de denture $h_3$	Ancho diente $h_3$	<b><math>h_3</math> 25,6</b>
Altezza totale H	Full height H	Gesamt Höhe H	Hauteur totale H	Altura total H	<b>H -</b>

Z	$D_e$	$D_p$	GS			GD			GT					
			cod.	d	H	cod.	d	H	cod.	d	H			
45	140,7	136,54	GS 05045	70	25	1210	GD 05045	80	25	1610	GT 05045	80	38	1615
57	176,9	172,91	GS 05057	83	25	1210	GD 05057	90	25	1610	GT 05057	90	38	1615
76	234,9	230,49	GS 05076	83	25	1210	GD 05076	90	25	1610	GT 05076	111	32	2012
95	292,5	288,08	GS 05095	83	25	1210	GD 05095	90	25	1610	GT 05095	111	32	2012
* 114	349,6	345,68	GS 05114	83	38	1215	GD 05114	90	38	1615	GT 05114	111	32	2012

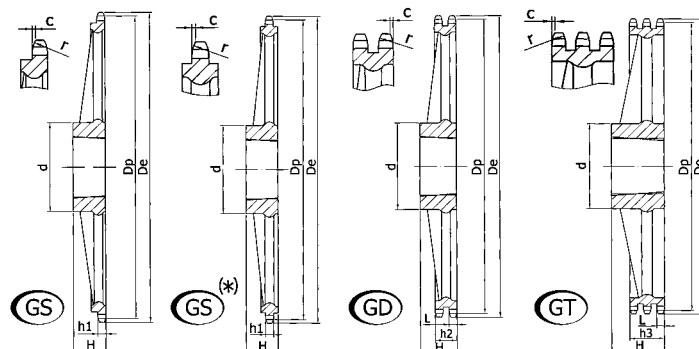
**1/2" x 5/16"**  
**12,7 x 7,75 mm**  
**08B - 1 - 2 - 3**  
**DIN 8187**  
**ISO/R 606**

CATENA:	CHAIN:	KETTE:	CHAÎNE:	CADENA:	mm
Passo	Pitch	Teilung	Pas	Paso	<b>12,7</b>
Larghezza interna	Internal width	Innere Breite	Largeur interieure	Ancho interno	<b>7,75</b>
Rullo $\phi$	Roller $\phi$	Rollen $\phi$	$\phi$ du rouleau	Rodillo $\phi$	<b>8,51</b>

PIGNONE	SPROCKETS	KETTENRÄDER	PIGNONS	PIÑONES	mm
Raggio dente r	Tooth radius r	Radius r	Rayon de denture r	Radio diente r	<b>r 13</b>
Larghezza raggio C	Radius width C	Breite C	Largeur de rayon C	Ancho radio C	<b>C 1,3</b>
Largh. dente $h_1$	Tooth width $h_1$	Zahnbreite $h_1$	Larg. de denture $h_1$	Ancho diente $h_1$	<b><math>h_1</math> 7,2</b>
Largh. dente L	Tooth width L	Zahnbreite L	Larg. de denture L	Ancho diente L	<b>L 7</b>
Largh. dente $h_2$	Tooth width $h_2$	Zahnbreite $h_2$	Larg. de denture $h_2$	Ancho diente $h_2$	<b><math>h_2</math> 21</b>
Largh. dente $h_3$	Tooth width $h_3$	Zahnbreite $h_3$	Larg. de denture $h_3$	Ancho diente $h_3$	<b><math>h_3</math> 34,9</b>
Altezza totale H	Full height H	Gesamt Höhe H	Hauteur totale H	Altura total H	<b>H -</b>

Z	$D_e$	$D_p$	GS			GD			GT					
			cod.	d	H	cod.	d	H	cod.	d	H			
45	188,0	182,07	GS 09045	100	32	2012	GD 09045	100	32	2012	GT 09045	118	45	2517
57	236,4	230,54	GS 09057	111	32	2012	GD 09057	111	32	2012	GT 09057	124	45	2517
76	313,3	307,33	GS 09076	111	32	2012	GD 09076	111	32	2012	GT 09076	124	45	2517
95	390,1	384,11	GS 09095	111	32	2012	GD 09095	111	32	2012	GT 09095	160	51	3020
* 114	466,9	460,90	GS 09114	124	45	2517	GD 09114	124	45	2517	GT 09114	160	51	3020

**Ruote in ghisa per bussola - Taper bored cast iron sprockets**  
**Kettenräder aus Gusseisen für Spannbuchsen - Roues en fonte à moyeu amovible**  
**Rueda en fundicion para casquillos conicos**



**Ghisa - Cast iron - Grauguss - Hierro fundido EN-GJL-200 UNI EN 1561**

**5/8" x 3/8"**  
**15,875 x 9,65 mm**  
**10B - 1 - 2 - 3**  
**DIN 8187**  
**ISO/R 606**

<b>CATENA:</b>	<b>CHAIN:</b>	<b>KETTE:</b>	<b>CHAÎNE:</b>	<b>CADENA:</b>	<b>mm</b>
Passo	Pitch	Teilung	Pas	Paso	<b>15,875</b>
Larghezza interna	Internal width	Innere Breite	Largeur interieure	Ancho interno	<b>9,65</b>
Rullo $\phi$	Roller $\phi$	Rollen $\phi$	$\phi$ du rouleau	Rodillo $\phi$	<b>10,16</b>

<b>PIGNONE</b>	<b>SPROCKETS</b>	<b>KETTENRÄDER</b>	<b>PIGNONS</b>	<b>PIÑONES</b>	<b>mm</b>
Raggio dente r	Tooth radius r	Radius r	Rayon de denture r	Radio diente r	<b>r 16</b>
Larghezza raggio C	Radius width C	Breite C	Largeur de rayon C	Ancho radio C	<b>C 1,6</b>
Largh. dente $h_1$	Tooth width $h_1$	Zahnbreite $h_1$	Larg. de denture $h_1$	Ancho diente $h_1$	<b><math>h_1</math> 9,1</b>
Largh. dente L	Tooth width L	Zahnbreite L	Larg. de denture L	Ancho diente L	<b>L 9</b>
Largh. dente $h_2$	Tooth width $h_2$	Zahnbreite $h_2$	Larg. de denture $h_2$	Ancho diente $h_2$	<b><math>h_2</math> 25,5</b>
Largh. dente $h_3$	Tooth width $h_3$	Zahnbreite $h_3$	Larg. de denture $h_3$	Ancho diente $h_3$	<b><math>h_3</math> 42,1</b>
Altezza totale H	Full height H	Gesamt Höhe H	Hauteur totale H	Altura total H	<b>H -</b>

Z	$D_e$	$D_p$	GS			GD			GT					
			cod.	d	H	cod.	d	H	cod.	d	H			
45	235,0	227,58	GS 10045	100	32	2012	GD 10045	110	45	2517	GT 10045	118	64	2525
57	296,0	288,18	GS 10057	111	32	2012	GD 10057	124	45	2517	GT 10057	160	51	3020
76	392,1	384,16	GS 10076	111	32	2012	GD 10076	160	51	3020	GT 10076	160	51	3020
* 95	488,5	480,14	GS 10095	124	45	2517	GD 10095	160	51	3020	GT 10095	160	51	3020
* 114	584,1	576,13	GS 10114	124	45	2517	GD 10114	160	51	3020	GT 10114	160	51	3020

**3/4" x 7/16"**  
**19,05 x 11,68 mm**  
**12B - 1 - 2 - 3**  
**DIN 8187**  
**ISO/R 606**

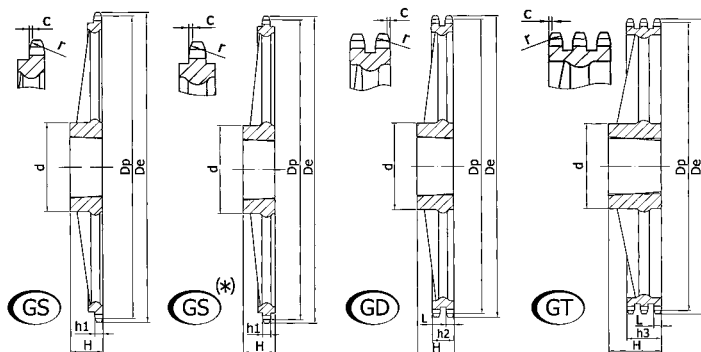
<b>CATENA:</b>	<b>CHAIN:</b>	<b>KETTE:</b>	<b>CHAÎNE:</b>	<b>CADENA:</b>	<b>mm</b>
Passo	Pitch	Teilung	Pas	Paso	<b>19,05</b>
Larghezza interna	Internal width	Innere Breite	Largeur interieure	Ancho interno	<b>11,68</b>
Rullo $\phi$	Roller $\phi$	Rollen $\phi$	$\phi$ du rouleau	Rodillo $\phi$	<b>12,07</b>

<b>PIGNONE</b>	<b>SPROCKETS</b>	<b>KETTENRÄDER</b>	<b>PIGNONS</b>	<b>PIÑONES</b>	<b>mm</b>
Raggio dente r	Tooth radius r	Radius r	Rayon de denture r	Radio diente r	<b>r 19</b>
Larghezza raggio C	Radius width C	Breite C	Largeur de rayon C	Ancho radio C	<b>C 2</b>
Largh. dente $h_1$	Tooth width $h_1$	Zahnbreite $h_1$	Larg. de denture $h_1$	Ancho diente $h_1$	<b><math>h_1</math> 11,1</b>
Largh. dente L	Tooth width L	Zahnbreite L	Larg. de denture L	Ancho diente L	<b>L 10,8</b>
Largh. dente $h_2$	Tooth width $h_2$	Zahnbreite $h_2$	Larg. de denture $h_2$	Ancho diente $h_2$	<b><math>h_2</math> 30,3</b>
Largh. dente $h_3$	Tooth width $h_3$	Zahnbreite $h_3$	Larg. de denture $h_3$	Ancho diente $h_3$	<b><math>h_3</math> 49,8</b>
Altezza totale H	Full height H	Gesamt Höhe H	Hauteur totale H	Altura total H	<b>H -</b>

Z	$D_e$	$D_p$	GS			GD			GT					
			cod.	d	H	cod.	d	H	cod.	d	H			
* 45	282,5	273,10	GS 11045	118	45	2517	GD 11045	154	51	3020	GT 11045	160	51	3020
* 57	355,4	345,81	GS 11057	124	45	2517	GD 11057	160	51	3020	GT 11057	160	51	3020
* 76	469,9	460,99	GS 11076	124	45	2517	GD 11076	160	51	3020	GT 11076	160	51	3020
* 95	585,1	576,17	GS 11095	124	45	2517	GD 11095	160	51	3020	GT 11095	160	76	3030
* 114	700,6	691,36	GS 11114	124	64	2525	GD 11114	160	76	3030	GT 11114	160	76	3030



# Ruote in ghisa per bussola - Taper bored cast iron sprockets Kettenräder aus Gusseisen für Spannbuchsen - Roues en fonte à moyeu amovible Rueda en fundicion para casquillos conicos



## Ghisa - Cast iron - Grauguss - Hierro fundido EN-GJL-200 UNI EN 1561

1" x 17,02 mm  
25,4 x 17,02 mm  
16B - 1 - 2 - 3  
DIN 8187  
ISO/R 606

CATENA:	CHAIN:	KETTE:	CHAÎNE:	CADENA:	mm
Passo	Pitch	Teilung	Pas	Paso	25,4
Larghezza interna	Internal width	Innere Breite	Largeur interieure	Ancho interno	17,02
Rullo $\phi$	Roller $\phi$	Rollen $\phi$	$\phi$ du rouleau	Rodillo $\phi$	15,88

PIGNONE	SPROCKETS	KETTENRÄDER	PIGNONS	PIÑONES	mm
Raggio dente r	Tooth radius r	Radius r	Rayon de denture r	Radio diente r	r 26
Larghezza raggio C	Radius width C	Breite C	Largeur de rayon C	Ancho radio C	C 2,5
Largh. dente $h_1$	Tooth width $h_1$	Zahnbreite $h_1$	Larg. de denture $h_1$	Ancho diente $h_1$	$h_1$ 16,2
Largh. dente L	Tooth width L	Zahnbreite L	Larg. de denture L	Ancho diente L	L 15,8
Largh. dente $h_2$	Tooth width $h_2$	Zahnbreite $h_2$	Larg. de denture $h_2$	Ancho diente $h_2$	$h_2$ 47,7
Largh. dente $h_3$	Tooth width $h_3$	Zahnbreite $h_3$	Larg. de denture $h_3$	Ancho diente $h_3$	$h_3$ 79,6
Altezza totale H	Full height H	Gesamt Höhe H	Hauteur totale H	Altura total H	H -

Z	$D_e$	$D_p$	GS			GD			GT					
			cod.	d	H	cod.	d	H	cod.	d	H			
* 38	320,0	307,59	GS 12038	160	51	3020	GD 12038	160	76	3030	GT 12038	178	89	3535
* 45	377,1	364,12	GS 12045	160	51	3020	GD 12045	160	76	3030	GT 12045	216	102	4040
* 57	474,0	461,07	GS 12057	160	51	3020	GD 12057	175	89	3535	GT 12057	216	102	4040
* 76	627,0	614,65	GS 12076	160	51	3020	GD 12076	175	89	3535	GT 12076	216	102	4040
* 95	781,1	768,22	GS 12095	160	51	3020	GD 12095	215	102	4040	GT 12095	240	102	4040
* 114	934,3	921,81	GS 12114	160	76	3030	GD 12114	215	102	4040	GT 12114	260	114	4545

1"1/4 x 3/4"  
31,75 x 19,56 mm  
20B - 1 - 2 - 3  
DIN 8187  
ISO/R 606

CATENA:	CHAIN:	KETTE:	CHAÎNE:	CADENA:	mm
Passo	Pitch	Teilung	Pas	Paso	31,75
Larghezza interna	Internal width	Innere Breite	Largeur interieure	Ancho interno	19,56
Rullo $\phi$	Roller $\phi$	Rollen $\phi$	$\phi$ du rouleau	Rodillo $\phi$	19,05

PIGNONE	SPROCKETS	KETTENRÄDER	PIGNONS	PIÑONES	mm
Raggio dente r	Tooth radius r	Radius r	Rayon de denture r	Radio diente r	r 32
Larghezza raggio C	Radius width C	Breite C	Largeur de rayon C	Ancho radio C	C 3,5
Largh. dente $h_1$	Tooth width $h_1$	Zahnbreite $h_1$	Larg. de denture $h_1$	Ancho diente $h_1$	$h_1$ 18,5
Largh. dente L	Tooth width L	Zahnbreite L	Larg. de denture L	Ancho diente L	L 18,2
Largh. dente $h_2$	Tooth width $h_2$	Zahnbreite $h_2$	Larg. de denture $h_2$	Ancho diente $h_2$	$h_2$ 54,6
Largh. dente $h_3$	Tooth width $h_3$	Zahnbreite $h_3$	Larg. de denture $h_3$	Ancho diente $h_3$	$h_3$ 91
Altezza totale H	Full height H	Gesamt Höhe H	Hauteur totale H	Altura total H	H -

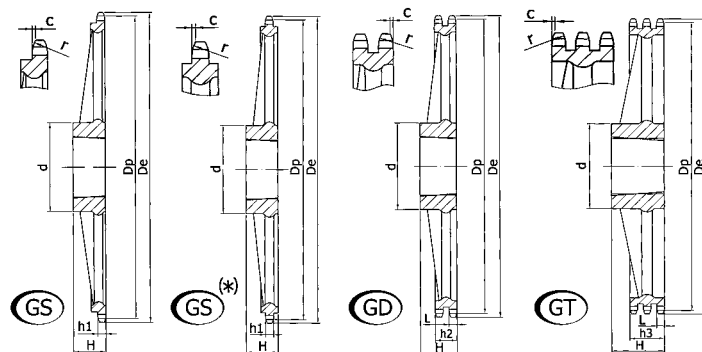
Z	$D_e$	$D_p$	GS			GD			GT					
			cod.	d	H	cod.	d	H	cod.	d	H			
* 38	399,6	384,49	GS 13038	160	51	3020	GD 13038	160	76	3030	GT 13038	178	89	3535
* 45	470,3	455,17	GS 13045	160	51	3020	GD 13045	160	76	3030	GT 13045	216	102	4040
* 57	591,5	576,36	GS 13057	160	51	3020	GD 13057	175	89	3535	GT 13057	216	102	4040
* 76	783,5	768,32	GS 13076	160	51	3020	GD 13076	175	89	3535	GT 13076	240	102	4040
* 95	975,2	960,28	GS 13095	160	76	3030	GD 13095	240	102	4040	GT 13095	260	114	4545
* 114	1167,4	1152,26	GS 13114	240	102	4040	GD 13114	260	114	4545	GT 13114	278	127	5050



# Ruote in ghisa per bussola - Taper bored cast iron sprockets

## Kettenräder aus Gusseisen für Spannbuchsen - Roues en fonte à moyeu amovible

### Rueda en fundicion para casquillos conicos



#### Ghisa - Cast iron - Grauguss - Hierro fundido EN-GJL-200 UNI EN 1561

1"1/2 x 1"  
38,1 x 25,4 mm  
24B - 1 - 2 - 3  
DIN 8187  
ISO/R 606

CATENA:	CHAIN:	KETTE:	CHAÎNE:	CADENA:	mm
Passo	Pitch	Teilung	Pas	Paso	38,1
Larghezza interna	Internal width	Innere Breite	Largueur interieure	Ancho interno	25,4
Rullo $\phi$	Roller $\phi$	Rollen $\phi$	$\phi$ du rouleau	Rodillo $\phi$	25,4

PIGNONE	SPROCKETS	KETTENRÄDER	PIGNONS	PIÑONES	mm
Raggio dente r	Tooth radius r	Radius r	Rayon de denture r	Radio diente r	r 38
Larghezza raggio C	Radius width C	Breite C	Largueur de rayon C	Ancho radio C	C 4
Largh. dente $h_1$	Tooth width $h_1$	Zahnbreite $h_1$	Larg. de denture $h_1$	Ancho diente $h_1$	$h_1$ 24,1
Largh. dente L	Tooth width L	Zahnbreite L	Larg. de denture L	Ancho diente L	L 23,6
Largh. dente $h_2$	Tooth width $h_2$	Zahnbreite $h_2$	Larg. de denture $h_2$	Ancho diente $h_2$	$h_2$ 72
Largh. dente $h_3$	Tooth width $h_3$	Zahnbreite $h_3$	Larg. de denture $h_3$	Ancho diente $h_3$	$h_3$ 120,3
Altezza totale H	Full height H	Gesamt Höhe H	Hauteur totale H	Altura total H	H -

Z	$D_e$	$D_p$	GS			GD			GT					
			cod.	d	H	cod.	d	H	cod.	d	H			
* 30	379,5	364,50	GS 14030	160	76	3030	GD 14030	160	76	3030	GT 14030	178	89	3535
* 38	476,2	461,39	GS 14038	160	76	3030	GD 14038	175	89	3535	GT 14038	216	102	4040
* 45	561,2	546,20	GS 14045	160	76	3030	GD 14045	175	89	3535	GT 14045	216	102	4040
* 57	706,5	691,63	GS 14057	160	76	3030	GD 14057	175	89	3535	GT 14057	240	102	4040
* 76	936,9	921,98	GS 14076	160	76	3030	GD 14076	240	102	4040	GT 14076	260	114	4545
* 95	1167,3	1152,33	GS 14095	260	114	4545	GD 14095	278	127	5050	GT 14095	278	127	5050

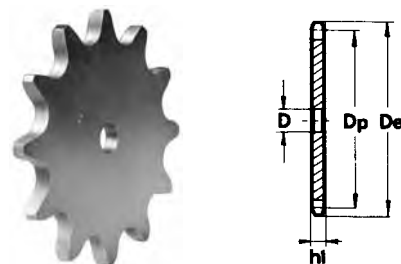


**Corone per trasportatori ed elevatori**  
**Plate wheels for chain conveyors and chain elevators**  
**Kettenradscheiben für Transport-und Förderketten**  
**Disques pour transporteurs et elevatori**  
**Discos para cadena de transportadores y elevadores**

Rullo - Roller - Rollen - Rouleau - Rodillo

25 - 28 - 31

P. 50

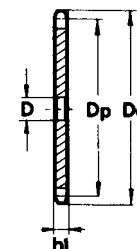


CATENA:	CHAIN:	KETTE:	CHAÎNE:	CADENA:	mm
Larghezza interna	Internal width	Innere Breite	Largeur interieure	Ancho interno	11,5 - 15 - 15
Rullo $\phi$	Roller $\phi$	Rollen $\phi$	$\phi$ du rouleau	Rodillo $\phi$	25 - 28 - 31
Spessore corona $h_1$	Tooth width $h_1$	Zahnbreite $h_1$	Larg. denture $h_1$	Ancho dente $h_1$	10,5 - 13,5 - 13,5

Z	R 25				R 28				R 31			
	cod.	De	Dp	D	cod.	De	Dp	D	cod.	De	Dp	D
6	CE 17006	115,0	100,00	20	CE 18006	115,0	100,00	20	CE 19006	115,0	100,00	20
7	CE 17007	132,0	115,24	20	CE 18007	132,0	115,24	20	CE 19007	132,0	115,24	20
8	CE 17008	149,0	130,65	20	CE 18008	149,0	130,65	20	CE 19008	149,0	130,65	20
9	CE 17009	165,0	146,20	20	CE 18009	165,0	146,20	20	CE 19009	165,0	146,20	20
10	CE 17010	180,0	161,80	20	CE 18010	180,0	161,80	20	CE 19010	180,0	161,80	20
11	CE 17011	197,0	177,50	25	CE 18011	197,0	177,50	25	CE 19011	197,0	177,50	25
12	CE 17012	212,0	193,20	25	CE 18012	212,0	193,20	25	CE 19012	212,0	193,20	25
13	CE 17013	228,0	208,95	25	CE 18013	228,0	208,95	25	CE 19013	228,0	208,95	25
14	CE 17014	244,0	224,70	25	CE 18014	244,0	224,70	25	CE 19014	244,0	224,70	25
15	CE 17015	260,0	240,45	25	CE 18015	260,0	240,45	25	CE 19015	260,0	240,45	25
16	CE 17016	276,0	256,30	30	CE 18016	276,0	256,30	30	CE 19016	276,0	256,30	30
17	CE 17017	292,0	272,11	30	CE 18017	292,0	272,11	30	CE 19017	292,0	272,11	30
18	CE 17018	307,0	287,95	30	CE 18018	307,0	287,95	30	CE 19018	307,0	287,95	30
19	CE 17019	322,0	303,80	30	CE 18019	322,0	303,80	30	CE 19019	322,0	303,80	30
20	CE 17020	339,0	319,60	30	CE 18020	339,0	319,60	30	CE 19020	339,0	319,60	30
21	CE 17021	355,0	335,45	30	CE 18021	355,0	335,45	30	CE 19021	355,0	335,45	30
22	CE 17022	371,0	351,35	30	CE 18022	371,0	351,35	30	CE 19022	371,0	351,35	30
23	CE 17023	387,0	367,20	30	CE 18023	387,0	367,20	30	CE 19023	387,0	367,20	30
24	CE 17024	403,0	383,05	30	CE 18024	403,0	383,05	30	CE 19024	403,0	383,05	30
25	CE 17025	418,0	398,95	30	CE 18025	418,0	398,95	30	CE 19025	418,0	398,95	30
26	CE 17026	434,0	414,80	30	CE 18026	434,0	414,80	30	CE 19026	434,0	414,80	30
27	CE 17027	450,0	430,70	30	CE 18027	450,0	430,70	30	CE 19027	450,0	430,70	30
28	CE 17028	466,0	446,55	30	CE 18028	466,0	446,55	30	CE 19028	466,0	446,55	30
29	CE 17029	482,0	462,45	30	CE 18029	482,0	462,45	30	CE 19029	482,0	462,45	30
30	CE 17030	498,0	478,35	30	CE 18030	498,0	478,35	30	CE 19030	498,0	478,35	30
31	CE 17031	514,0	494,25	30								
32	CE 17032	530,0	510,10	30					CE 19032	530,0	510,10	30
35	CE 17035	577,0	557,80	30	CE 18035	577,0	557,80	30	CE 19035	577,0	557,80	30
36	CE 17036	593,0	573,70	30								
38	CE 17038	625,0	605,45	30	CE 18038	625,0	605,45	30	CE 19038	625,0	605,45	30



**Corone per trasportatori ed elevatori**  
**Plate wheels for chain conveyors and chain elevators**  
**Kettenradscheiben für Transport-und Förderketten**  
**Disques pour transporteurs et elevateurs**  
**Discos para cadena de transportadores y elevadores**

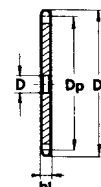
**Rullo - Roller - Rollen - Rouleau - Rodillo****25 - 31****P. 75**

CATENA:	CHAIN:	KETTE:	CHAÎNE:	CADENA:	mm
Larghezza interna	Internal width	Innere Breite	Largeur interieure	Ancho interno	11,5 - 15
Rullo $\varnothing$	Roller $\varnothing$	Rollen $\varnothing$	$\varnothing$ du rouleau	Rodillo $\varnothing$	25 - 31
Spessore corona $h_1$	Tooth width $h_1$	Zahnbreite $h_1$	Larg. denture $h_1$	Ancho dente $h_1$	10,5 - 13,5

Z	R 25				R 31			
	cod.	De	Dp	D	cod.	De	Dp	D
6	CE 20006	165,0	150,0	25	CE 22006	168,0	150,0	25
7	CE 20007	188,0	172,86	25	CE 22007	192,0	172,86	25
8	CE 20008	211,0	195,98	25	CE 22008	215,0	195,98	25
9	CE 20009	234,0	219,30	25	CE 22009	238,0	219,30	25
10	CE 20010	258,0	242,70	30	CE 22010	261,0	242,70	30
11	CE 20011	282,0	266,25	30	CE 22011	286,0	266,25	30
12	CE 20012	305,0	289,80	30	CE 22012	309,0	289,80	30
13	CE 20013	329,0	313,42	30	CE 22013	333,0	313,42	30
14	CE 20014	353,0	337,05	30	CE 22014	357,0	337,05	30
15	CE 20015	376,0	360,72	30	CE 22015	380,0	360,72	30
16	CE 20016	400,0	384,45	30	CE 22016	404,0	384,45	30
17	CE 20017	424,0	408,16	30	CE 22017	428,0	408,16	30
18	CE 20018	447,0	431,92	30	CE 22018	451,0	431,92	30
19	CE 20019	471,0	455,70	30	CE 22019	475,0	455,70	30
20	CE 20020	495,0	479,40	30	CE 22020	499,0	479,40	30
21	CE 20021	519,0	503,17	30	CE 22021	523,0	503,17	30
22	CE 20022	543,0	527,02	30	CE 22022	547,0	527,02	30
23	CE 20023	566,0	550,80	30	CE 22023	570,0	550,80	30
24	CE 20024	590,0	574,57	30	CE 22024	594,0	574,57	30
25	CE 20025	614,0	598,42	30	CE 22025	618,0	598,42	30
26	CE 20026	638,0	622,20	30				
27	CE 20027	622,0	646,05	30				
28	CE 20028	685,0	669,82	30				
29	CE 20029	709,0	693,68	30				
30	CE 20030	733,0	717,52	30				

**Rullo - Roller - Rollen - Rouleau - Rodillo****25 - 31 - 40****P. 100**

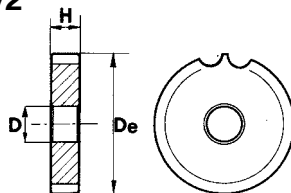
CATENA:	CHAIN:	KETTE:	CHAÎNE:	CADENA:	mm
Larghezza interna	Internal width	Innere Breite	Largeur interieure	Ancho interno	11,5 - 15 - 22
Rullo $\varnothing$	Roller $\varnothing$	Rollen $\varnothing$	$\varnothing$ du rouleau	Rodillo $\varnothing$	25 - 31 - 40
Spessore corona $h_1$	Tooth width $h_1$	Zahnbreite $h_1$	Larg. denture $h_1$	Ancho dente $h_1$	10,5 - 13,5 - 20



Z	R 25				R 31				R 40			
	cod.	De	Dp	D	cod.	De	Dp	D	cod.	De	Dp	D
6	CE 23006	214,0	200,00	25	CE 25006	218,0	200,00	25	CE 27006	220,0	200,00	25
7	CE 23007	245,0	230,48	25	CE 25007	249,0	230,48	25	CE 27007	251,0	230,48	25
8	CE 23008	276,0	261,31	30	CE 25008	280,0	261,31	30	CE 27008	283,0	261,31	30
9	CE 23009	307,0	292,40	30	CE 25009	311,0	292,40	30	CE 27009	314,0	292,40	30
10	CE 23010	338,0	323,61	30	CE 25010	342,0	323,61	30	CE 27010	345,0	323,61	30
11	CE 23011	371,0	354,95	30	CE 25011	375,0	354,95	30	CE 27011	378,0	354,95	30
12	CE 23012	402,0	386,40	30	CE 25012	406,0	386,40	30	CE 27012	409,0	386,40	30
13	CE 23013	433,0	417,90	30	CE 25013	437,0	417,90	30	CE 27013	441,0	417,90	30
14	CE 23014	465,0	449,40	30	CE 25014	469,0	449,90	30	CE 27014	473,0	449,40	30
15	CE 23015	496,0	480,97	30	CE 25015	500,0	480,97	30	CE 27015	504,0	480,97	30
16	CE 23016	528,0	512,60	30	CE 25016	532,0	512,60	30	CE 27016	536,0	512,60	30
17	CE 23017	560,0	544,22	30	CE 25017	564,0	544,22	30	CE 27017	568,0	544,22	30
18	CE 23018	591,0	575,90	30	CE 25018	595,0	575,90	30	CE 27018	599,0	575,90	30
19	CE 23019	623,0	607,55	30	CE 25019	627,0	607,55	30	CE 27019	631,0	607,55	30
20	CE 23020	655,0	639,20	30	CE 25020	659,0	639,20	30	CE 27020	663,0	639,20	30
21	CE 23021	686,0	670,95	30	CE 25021	690,0	670,95	21				
22	CE 23022	718,0	702,70	30	CE 25022	722,0	702,70	30				
23	CE 23023	750,0	734,40	30	CE 25023	754,0	734,40	30				
24	CE 23024	782,0	766,10	30	CE 25024	786,0	766,10	30				
25	CE 23025	813,0	797,90	30	CE 25025	817,0	797,90	30				



P. 1"1/2  
DIN 8153



**Ruote per catena a cerniera**  
**Wheels for table top chain**  
**Kettenräder für Scharnierbandketten**  
**Roues pour chaînes à charnières**  
**Rueda para cadena de charnela (table top)**

**Materiale C 45 E • Material C45 E • Matière C 45 E • Materiel C 45 E - UNI EN 10083-1**

Z	cod.	De	D	H	Z	cod.	De	D	H
13	RC 14013	78,98	15	43,5	23	RC 14023	141,22	20	43,5
15	RC 14015	93,67	15	43,5	25	RC 14025	153,21	20	43,5
17	RC 14017	105,47	20	43,5	27	RC 14027	165,20	20	43,5
19	RC 14019	117,34	20	43,5	29	RC 14029	177,24	20	43,5
21	RC 14021	129,26	20	43,5	31	RC 14031	189,29	20	43,5

## Pignoni tendicatena completi di cuscinetto / Ball bearing idler sprockets Kettenspannräder mit Kugellager / Pignons tendeurs complets avec roulement Piñones tensores completos con cojinete

I ns.pignoni tendicatena sono completi di cuscinetto, pronti al montaggio in particolari punti di tensione oppure di rinvio. L'accurata lavorazione ed il montaggio stabile su di un cuscinetto a sfere, a doppio schermo di protezione, permettono una maggiore resistenza ai carichi e all'usura. L'anello centrale del cuscinetto "allungato", permette un facile montaggio su macchinari speciali di ogni tipo.

Our idler sprockets are supplied complete with bearings, ready to be fitted at the relevant tension or driving gear points. The accurate machining and stable assembly on a ball bearing, with double protection, provides greater resistance to loads and wear. The central "extended" ring on bearing, allows easy assembly on all types of special machinery.

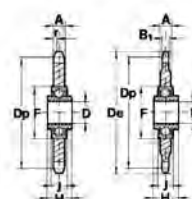
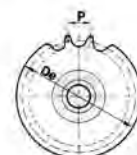
Unsere Kettenspannräder werden komplett mit Lager geliefert und sind für den Einbau an besonderen Spannungs oder Vorgelegepunkten geeignet. Die sorgfältige Verarbeitung und die stabile Montage auf einem Kugellager mit doppelter Schutzblende sorgen für eine höhere Last und Verschleißbeständigkeit geeignet. Der Mittelring des "verlängerten" Lagers erlaubt den einfachen Einbau an Spezialmaschinen aller Art.

Nos pignons tendeurs sont équipés de roulements et conviennent au montage en cas de points de tension particulières ou de renvoi. L'usinage soigné et le montage stable sur roulements à billes, à double écran de protection confèrent à nos produits une résistance accrue aux charges et à l'usure.

Nuestros piñones tensacadena están provistos de cojinete y se pueden montar en puntos de tensión o reenvío especiales. Gracias a las características de fabricación y al montaje estable en cojinetes de bolas con doble escudo de protección, ofrecen mayor resistencia de carga y más durabilidad. El anillo central del cojinete "alargado" facilita el montaje en todo tipo de maquinarias especiales.

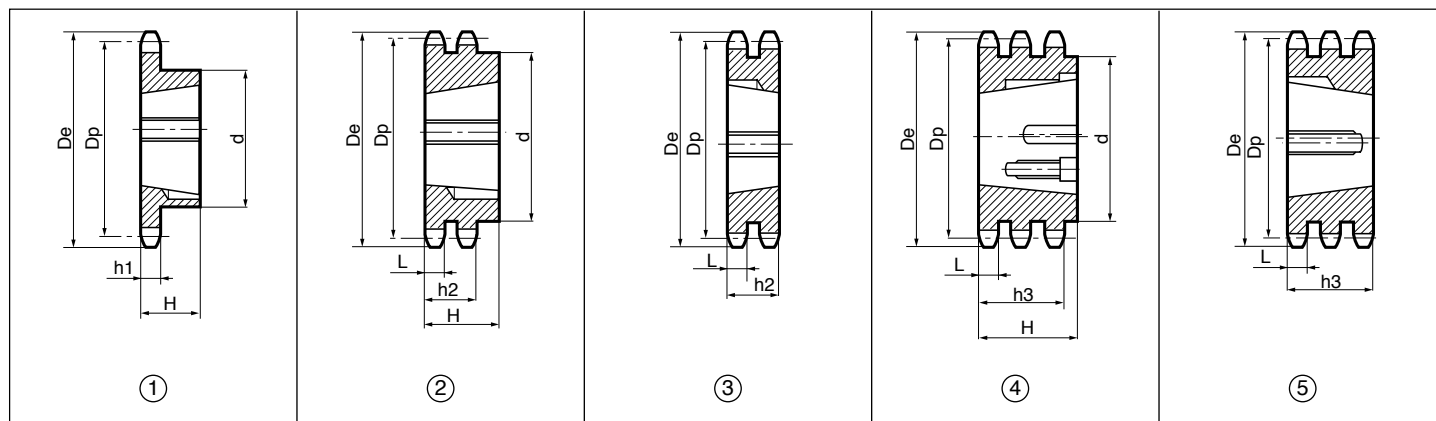
**Materiale C 45 E • Material C45 E • Matière C 45 E • Materiel C 45 E - UNI EN 10083-1**

Z	cod.	P.	De	Dp	B <sub>1</sub>	A	D	F	H	J	cuscinetto/bearing Kugellager/roulement/cojinete
23	PC 04023	8x1/8"	62,0	58,75	2,8	7,0	16 <sup>+0,26 +0,13</sup>	40	18,3	12	203 KRR
20	PC 05020	3/8"x7/32"	64,3	60,89	5,3	7,0	16 <sup>+0,26 +0,13</sup>	40	18,3	12	203 KRR
21	PC 05021	3/8"x7/32"	68,0	63,91	5,3	7,0	16 <sup>+0,26 +0,13</sup>	40	18,3	12	203 KRR
18	PC 06018	1/2"x1/8"	78,9	73,14	3,0	7,0	16 <sup>+0,26 +0,13</sup>	40	18,3	12	203 KRR
16	PC 07016	1/2"x3/16"	70,9	65,10	4,5	7,0	16 <sup>+0,26 +0,13</sup>	40	18,3	12	203 KRR
18	PC 07018	1/2"x3/16"	78,9	73,14	4,5	7,0	16 <sup>+0,26 +0,13</sup>	40	18,3	12	203 KRR
14	PC 09014	1/2"x5/16"	61,8	57,07	7,2	7,2	16 <sup>+0,26 +0,13</sup>	40	18,3	12	203 KRR
15	PC 09015	1/2"x5/16"	65,5	61,09	7,2	7,2	16 <sup>+0,26 +0,13</sup>	40	18,3	12	203 KRR
16	PC 09016	1/2"x5/16"	69,5	65,10	7,2	7,2	16 <sup>+0,26 +0,13</sup>	40	18,3	12	203 KRR
18	PC 09018	1/2"x5/16"	77,8	73,14	7,2	7,2	16 <sup>+0,26 +0,13</sup>	40	18,3	12	203 KRR
20	PC 09020	1/2"x5/16"	85,8	81,19	7,2	7,2	16 <sup>+0,26 +0,13</sup>	40	18,3	12	203 KRR
21	PC 09021	1/2"x5/16"	89,7	85,22	7,2	7,2	16 <sup>+0,26 +0,13</sup>	40	18,3	12	203 KRR
13	PC 10013	5/8"x3/8"	73,0	66,32	9,1	9,1	16 <sup>+0,26 +0,13</sup>	40	18,3	12	203 KRR
14	PC 10014	5/8"x3/8"	78,0	71,34	9,1	9,1	16 <sup>+0,26 +0,13</sup>	40	18,3	12	203 KRR
15	PC 10015	5/8"x3/8"	83,0	76,36	9,1	9,1	16 <sup>+0,26 +0,13</sup>	40	18,3	12	203 KRR
16	PC 10016	5/8"x3/8"	88,0	81,37	9,1	9,1	16 <sup>+0,26 +0,13</sup>	40	18,3	12	203 KRR
17	PC 10017	5/8"x3/8"	93,0	86,30	9,1	9,1	16 <sup>+0,26 +0,13</sup>	40	18,3	12	203 KRR
18	PC 10018	5/8"x3/8"	98,3	91,42	9,1	9,1	16 <sup>+0,26 +0,13</sup>	40	18,3	12	203 KRR
21	PC 10021	5/8"x3/8"	113,4	106,52	9,1	9,1	16 <sup>+0,26 +0,13</sup>	40	18,3	12	203 KRR
12	PC 11012	3/4"x7/16"	81,5	73,60	11,1	11,1	16 <sup>+0,26 +0,13</sup>	40	18,3	12	203 KRR
13	PC 11013	3/4"x7/16"	87,5	79,59	11,1	11,1	16 <sup>+0,26 +0,13</sup>	40	18,3	12	203 KRR
15	PC 11015	3/4"x7/16"	99,8	91,63	11,1	11,1	16 <sup>+0,26 +0,13</sup>	40	18,3	12	203 KRR
16	PC 11016	3/4"x7/16"	105,5	97,65	11,1	11,1	16 <sup>+0,26 +0,13</sup>	40	18,3	12	203 KRR
12	PC 12012	1"x17,02"	109,0	98,14	16,2	16,2	20 <sup>+0,1 +0</sup>	47	17,7	14	204 KRR
15	PC 12015	1"x17,02"	133,0	122,17	16,2	16,2	20 <sup>+0,1 +0</sup>	47	17,7	14	204 KRR
17	PC 12017	1"x17,02"	149,0	138,24	16,2	16,2	20 <sup>+0,1 +0</sup>	47	17,7	14	204 KRR
13	PC 13013	1"x1/4x3/4"	147,8	132,65	18,5	18,5	25 <sup>+0,1 +0</sup>	52	21,0	15	205 KRR





**Pignoni per bussole coniche**  
**Taper bored sprockets**  
**Kettenräder für Spannbuchsen**  
**Pignons à moyeu amovible**  
**Piñones para casquillos cónicos**



**3/8" x 7/32"**

**06B - 1-2-3 9,525 x 5,72 mm - DIN 8187 - ISO/R 606**

CATENA:	CHAIN:	KETTE:	CHAÎNE:	CADENA:	ISO mm
Passo	Pitch	Teilung	Pas	Paso	<b>9,525</b>
Larghezza interna	Internal width	Innere Breite	Largeur interieure	Ancho interno	<b>5,72</b>
Rullo ø	Roller ø	Rollen ø	ø du rouleau	Rodillo ø	<b>6,35</b>

PIGNONE	SPROCKETS	KETTENRÄDER	PIGNONS	PIÑONES	ISO mm
Raggio dente r	Tooth radius r	Radius r	Rayon de denture r	Radio diente r	<b>r 10</b>
Larghezza raggio C	Radius width C	Breite C	Largeur de rayon C	Ancho radio C	<b>C 1</b>
Largh. dente h <sub>1</sub>	Tooth width h <sub>1</sub>	Zahnbreite h <sub>1</sub>	Larg. de denture h <sub>1</sub>	Ancho diente h <sub>1</sub>	<b>h<sub>1</sub> 5,3</b>
Largh. dente L	Tooth width L	Zahnbreite L	Larg. de denture L	Ancho diente L	<b>L 5,2</b>
Largh. dente h <sub>2</sub>	Tooth width h <sub>2</sub>	Zahnbreite h <sub>2</sub>	Larg. de denture h <sub>2</sub>	Ancho diente h <sub>2</sub>	<b>h<sub>2</sub> 15,4</b>
Largh. dente h <sub>3</sub>	Tooth width h <sub>3</sub>	Zahnbreite h <sub>3</sub>	Larg. de denture h <sub>3</sub>	Ancho diente h <sub>3</sub>	<b>h<sub>3</sub> 25,6</b>



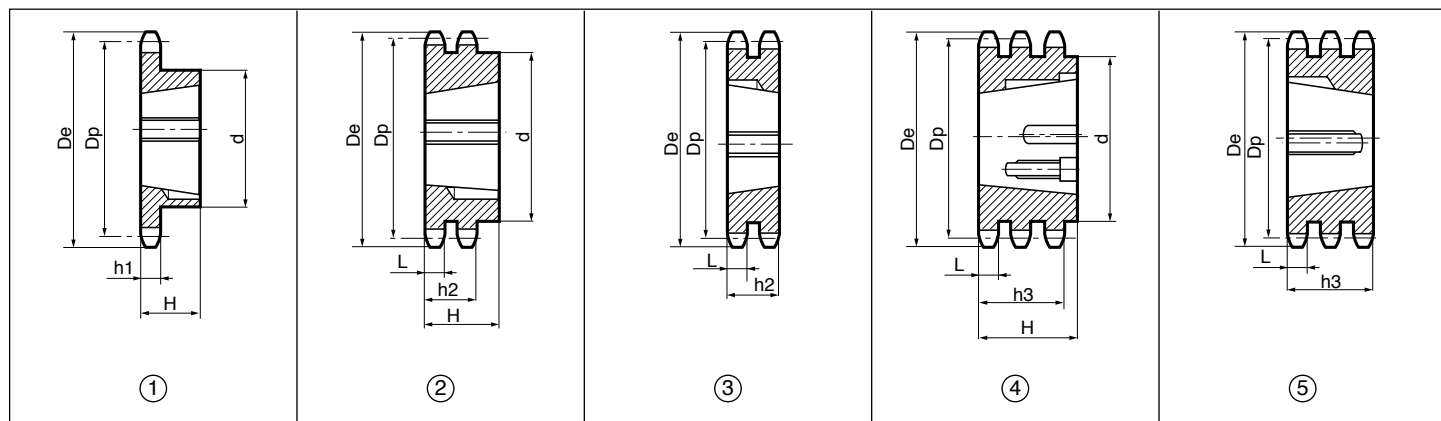
**Acciaio - Steel - Stahl - Acier - Acero = C 45 E - UNI EN 10083-1**

Z	D <sub>e</sub>	D <sub>p</sub>	TS					TD					TT				
			cod.	d	H	per Bussola for Bush für Buchse pour Moyeux amovibles para Casquillos cónicos	Esecuz. tipo Type Typ Type Tipo	cod.	d	H	per Bussola for Bush für Buchse pour Moyeux amovibles para Casquillos cónicos	Esecuz. tipo Type Typ Type Tipo	cod.	d	H	per Bussola for Bush für Buchse pour Moyeux amovibles para Casquillos cónicos	Esecuz. tipo Type Typ Type Tipo
17	55,3	51,83	TS 05017	45	22	1008	1	TD 05017	41	22	1008	2	TT 05017	-	25,6	1008	5
18	58,3	54,85	TS 05018	45	22	1008	1	TD 05018	43	22	1008	2					
19	61,3	57,87	TS 05019	45	22	1008	1	TD 05019	46	22	1008	2	TT 05019	-	25,6	1008	5
20	64,3	60,89	TS 05020	46	22	1008	1	TD 05020	48	22	1008	2					
21	68,0	63,91	TS 05021	46	22	1008	1	TD 05021	49	22	1008	2	TT 05021	-	25,6	1008	5
22	71,0	66,93	TS 05022	50	22	1108	1	TD 05022	52	22	1108	2					
23	73,5	69,95	TS 05023	63	25	1210	1	TD 05023	59	25	1210	2	TT 05023	-	25,6	1210	5
24	77,0	72,97	TS 05024	63	25	1210	1	TD 05024	61	25	1210	2					
25	80,0	76,02	TS 05025	63	25	1210	1	TD 05025	64	25	1210	2	TT 05025	-	25,6	1210	5
26	83,0	79,02	TS 05026	63	25	1210	1	TD 05026	65	25	1210	2					
27	86,0	82,02	TS 05027	63	25	1210	1	TD 05027	70	25	1210	2	TT 05027	-	25,6	1210	5
28	89,0	85,07	TS 05028	63	25	1210	1	TD 05028	70	25	1210	2					
30	94,7	91,12	TS 05030	63	25	1210	1	TD 05030	75	25	1210	2	TT 05030	79	38	1615	4
38	119,5	115,35	TS 05038	70	25	1210	1	TD 05038	80	25	1610	2	TT 05038	90	38	1615	4
45	140,7	136,55	TS 05045	70	25	1210	1	TD 05045	80	25	1610	2					
57	176,9	172,91	TS 05057	70	25	1210	1	TD 05057	80	25	1610	2					
76	234,9	230,49	TS 05076	70	25	1210	1	TD 05076	80	25	1610	2					
95	292,5	288,08	TS 05095	80	25	1210	1	TD 05095	90	25	1610	2					
114	349,5	345,68	TS 05114	80	38	1215	1	TD 05114	95	38	1615	2					





**Pignoni per bussole coniche**  
**Taper bored sprockets**  
**Kettenräder für Spannbuchsen**  
**Pignons à moyeu amovible**  
**Piñones para casquillos cónicos**



**1/2" x 5/16"**

**08B - 1-2-3 12,7 x 7,75 mm - DIN 8187 - ISO/R 606**

CATENA:	CHAIN:	KETTE:	CHAÎNE:	CADENA:	ISO mm
Passo	Pitch	Teilung	Pas	Paso	<b>12,07</b>
Larghezza interna	Internal width	Innere Breite	Largueur interieure	Ancho interno	<b>7,75</b>
Rullo ø	Roller ø	Rollen ø	ø du rouleau	Rodillo ø	<b>8,51</b>

PIGNONE	SPROCKETS	KETTENRÄDER	PIGNONS	PIÑONES	ISO mm
Raggio dente r	Tooth radius r	Radius r	Rayon de denture r	Radio diente r	<b>r 13</b>
Larghezza raggio C	Radius width C	Breite C	Largueur de rayon C	Ancho radio C	<b>C 1,3</b>
Largh. dente h <sub>1</sub>	Tooth width h <sub>1</sub>	Zahnbreite h <sub>1</sub>	Larg. de denture h <sub>1</sub>	Ancho diente h <sub>1</sub>	<b>h<sub>1</sub> 7,2</b>
Largh. dente L	Tooth width L	Zahnbreite L	Larg. de denture L	Ancho diente L	<b>L 7</b>
Largh. dente h <sub>2</sub>	Tooth width h <sub>2</sub>	Zahnbreite h <sub>2</sub>	Larg. de denture h <sub>2</sub>	Ancho diente h <sub>2</sub>	<b>h<sub>2</sub> 21</b>
Largh. dente h <sub>3</sub>	Tooth width h <sub>3</sub>	Zahnbreite h <sub>3</sub>	Larg. de denture h <sub>3</sub>	Ancho diente h <sub>3</sub>	<b>h<sub>3</sub> 34,9</b>



**Acciaio - Steel - Stahl - Acier - Acero = C 45 E - UNI EN 10083-1**

Z	D <sub>e</sub>	D <sub>p</sub>	TS				TD				TT						
			cod.	d	H	per Bussola for Bush für Buchse pour Moyeux amovibles para Casquillos cónicos Esecuz. tipo Type Typ Type Tpo	cod.	d	H	per Bussola for Bush für Buchse pour Moyeux amovibles para Casquillos cónicos Esecuz. tipo Type Typ Type Tpo	cod.	d	H	per Bussola for Bush für Buchse pour Moyeux amovibles para Casquillos cónicos Esecuz. tipo Type Typ Type Tpo			
15	65,5	61,90	TS 09015	45	22	1008	1	TD 09015	46	22	1008	2	TT 09015	-	34,9	1008	5
16	69,5	65,10	TS 09016	50	22	1108	1	TD 09016	50	22	1108	2	TT 09017	-	34,9	1210	5
17	73,6	69,11	TS 09017	60	25	1210	1	TD 09017	56	25	1210	2	TT 09019	-	34,9	1210	5
18	77,8	73,14	TS 09018	60	25	1210	1	TD 09018	60	25	1210	2	TT 09021	-	34,9	1610	5
19	81,7	77,16	TS 09019	63	25	1210	1	TD 09019	62	25	1210	2	TT 09021	-	34,9	1610	5
20	85,8	81,19	TS 09020	71	25	1610	1	TD 09020	66	25	1610	2	TT 09023	-	34,9	1610	5
21	89,7	85,22	TS 09021	71	25	1610	1	TD 05021	70	25	1610	2	TT 09027	-	34,9	2012	5
22	93,8	89,24	TS 09022	71	25	1610	1	TD 09022	76	25	1610	2	TT 09027	-	34,9	2012	5
23	98,2	93,27	TS 09023	76	25	1610	1	TD 09023	79	25	1610	2	TT 09030	-	34,9	2012	5
24	101,8	97,29	TS 09024	76	25	1610	1	TD 09024	84	25	1610	2	TT 09038	-	34,9	2012	5
25	105,8	101,33	TS 09025	76	25	1610	1	TD 09025	87	32	2012	2	TT 09045	-	34,9	2012	2
26	110,0	105,36	TS 09026	76	25	1610	1	TD 09026	87	32	2012	2	TT 09057	-	34,9	2012	2
27	114,4	109,40	TS 09027	76	25	1610	1	TD 09027	87	32	2012	2	TT 09076	-	34,9	2012	2
28	118,0	113,42	TS 09028	90	32	2012	1	TD 09028	87	32	2012	2	TT 09095	-	34,9	2012	2
30	126,1	121,50	TS 09030	90	32	2012	1	TD 09030	87	32	2012	2	TT 09114	-	34,9	2517	1
38	158,6	153,80	TS 09038	90	32	2012	1	TD 09038	100	32	2012	2					
45	188,0	182,07	TS 09045	100	32	2012	1	TD 09045	100	32	2012	2					
57	236,4	230,54	TS 09057	100	32	2012	1	TD 09057	100	32	2012	2					
76	313,3	307,33	TS 09076	100	32	2012	1	TD 09076	100	32	2012	2					
95	390,1	384,11	TS 09095	100	32	2012	1	TD 09095	100	32	2012	2					
114	466,9	460,90	TS 09114	110	45	2517	1	TD 09114	110	45	2517	2					



**Pignoni per bussole coniche**  
**Taper bored sprockets**  
**Kettenräder für Spannbuchsen**  
**Pignons à moyeu amovible**  
**Piñones para casquillos cónicos**

**5/8" x 3/8"**

**10B - 1-2-3**

**15,875 x 9,65 mm - DIN 8187 - ISO/R 606**

CATENA:	CHAIN:	KETTE:	CHAÎNE:	CADENA:	ISO mm
Passo	Pitch	Teilung	Pas	Paso	<b>15,875</b>
Larghezza interna	Internal width	Innere Breite	Largeur interieure	Ancho interno	<b>9,65</b>
Rullo $\phi$	Roller $\phi$	Rollen $\phi$	$\phi$ du rouleau	Rodillo $\phi$	<b>10,16</b>

PIGNONE	SPROCKETS	KETTENRÄDER	PIGNONS	PIÑONES	ISO mm
Raggio dente r	Tooth radius r	Radius r	Rayon de denture r	Radio diente r	<b>r 16</b>
Larghezza raggio C	Radius width C	Breite C	Largeur de rayon C	Ancho radio C	<b>C 1,6</b>
Largh. dente $h_1$	Tooth width $h_1$	Zahnbreite $h_1$	Larg. de denture $h_1$	Ancho diente $h_1$	<b><math>h_1</math> 9,1</b>
Largh. dente L	Tooth width L	Zahnbreite L	Larg. de denture L	Ancho diente L	<b>L 9</b>
Largh. dente $h_2$	Tooth width $h_2$	Zahnbreite $h_2$	Larg. de denture $h_2$	Ancho diente $h_2$	<b><math>h_2</math> 25,5</b>
Largh. dente $h_3$	Tooth width $h_3$	Zahnbreite $h_3$	Larg. de denture $h_3$	Ancho diente $h_3$	<b><math>h_3</math> 42,1</b>



**Acciaio - Steel - Stahl - Acier - Acero = C 45 E - UNI EN 10083-1**

Z	D <sub>e</sub>	D <sub>p</sub>	TS					TD				TT						
			cod.	d	H	per Bussola for Bush für Buchse pour Moyeux amovibles para Casquillos cónicos	Esecuz. tipo Type Typ Type Typo	cod.	d	H	per Bussola for Bush für Buchse pour Moyeux amovibles para Casquillos cónicos	Esecuz. tipo Type Typ Type Typo	cod.	d	H	per Bussola for Bush für Buchse pour Moyeux amovibles para Casquillos cónicos	Esecuz. tipo Type Typ Type Typo	
13	73,0	66,32	TS 10013	47	22	1008	1	TD 10013	-	25,5	1108	3						
14	78,0	71,34	TS 10014	52	22	1108	1											
15	83,0	76,36	TS 10015	60	25	1210	1	TD 10015	-	25,5	1210	3	TT 10015	-	42,1	1210	5	
16	88,0	81,37	TS 10016	70	25	1610	1											
17	93,0	86,36	TS 10017	71	25	1610	1	TD 10017	-	25,5	1610	3	TT 10017	-	42,1	1210	5	
18	98,3	91,42	TS 10018	75	25	1610	1											
19	103,3	96,45	TS 10019	75	25	1610	1	TD 10019	-	25,5	1610	3	TT 10019	-	42,1	1615	5	
20	108,4	101,49	TS 10020	75	25	1610	1	TD 10020	-	25,5	1610	3						
21	113,4	106,52	TS 10021	76	25	1610	1	TD 10021	-	25,5	1610	3	TT 10021	-	42,1	1615	5	
22	118,0	111,55	TS 10022	76	25	1610	1	TD 10022	-	25,5	1610	3						
23	123,4	116,58	TS 10023	76	25	1610	1	TD 10023	-	25,5	1610	3	TT 10023	-	42,1	2012	5	
24	128,3	121,62	TS 10024	90	32	2012	1											
25	134,0	126,66	TS 10025	90	32	2012	1	TD 10025	90	32,0	2012	2	TT 10025	105	45,0	2517	4	
26	139,0	131,70	TS 10026	90	32	2012	1											
27	144,0	136,75	TS 10027	90	32	2012	1	TD 10027	90	32,0	2012	2	TT 10027	110	45,0	2517	4	
28	148,7	141,78	TS 10028	90	32	2012	1											
30	158,8	151,87	TS 10030	90	32	2012	1	TD 10030	90	32,0	2012	2	TT 10030	120	45,0	2517	4	
38	199,2	192,24	TS 10038	100	32	2012	1	TD 10038	108	45,0	2517	2						
45	235,0	227,58	TS 10045	100	32	2012	1											
57	296,0	288,18	TS 10057	100	32	2012	1											
76	392,1	384,16	TS 10076	100	32	2012	1											
95	488,5	480,14	TS 10095	110	45	2517	1											
114	584,1	576,13	TS 10114	110	45	2517	1											



**Pignoni per bussole coniche**  
**Taper bored sprockets**  
**Kettenräder für Spannbuchsen**  
**Pignons à moyeu amovible**  
**Piñones para casquillos cónicos**

**3/4" x 7/16"**

**12B - 1-2-3 19,05 x 11,68 mm - DIN 8187 - ISO/R 606**

CATENA:	CHAIN:	KETTE:	CHAÎNE:	CADENA:	ISO mm
Passo	Pitch	Teilung	Pas	Paso	<b>19,05</b>
Larghezza interna	Internal width	Innere Breite	Largeur interieure	Ancho interno	<b>11,68</b>
Rullo $\phi$	Roller $\phi$	Rollen $\phi$	$\phi$ du rouleau	Rodillo $\phi$	<b>12,07</b>

PIGNONE	SPROCKETS	KETTENRÄDER	PIGNONS	PIÑONES	ISO mm
Raggio dente r	Tooth radius r	Radius r	Rayon de denture r	Radio diente r	<b>r 19</b>
Larghezza raggio C	Radius width C	Breite C	Largeur de rayon C	Ancho radio C	<b>C 2</b>
Largh. dente $h_1$	Tooth width $h_1$	Zahnbreite $h_1$	Larg. de denture $h_1$	Ancho diente $h_1$	<b><math>h_1</math> 11,1</b>
Largh. dente L	Tooth width L	Zahnbreite L	Larg. de denture L	Ancho diente L	<b>L 10,8</b>
Largh. dente $h_2$	Tooth width $h_2$	Zahnbreite $h_2$	Larg. de denture $h_2$	Ancho diente $h_2$	<b><math>h_2</math> 30,3</b>
Largh. dente $h_3$	Tooth width $h_3$	Zahnbreite $h_3$	Larg. de denture $h_3$	Ancho diente $h_3$	<b><math>h_3</math> 49,8</b>

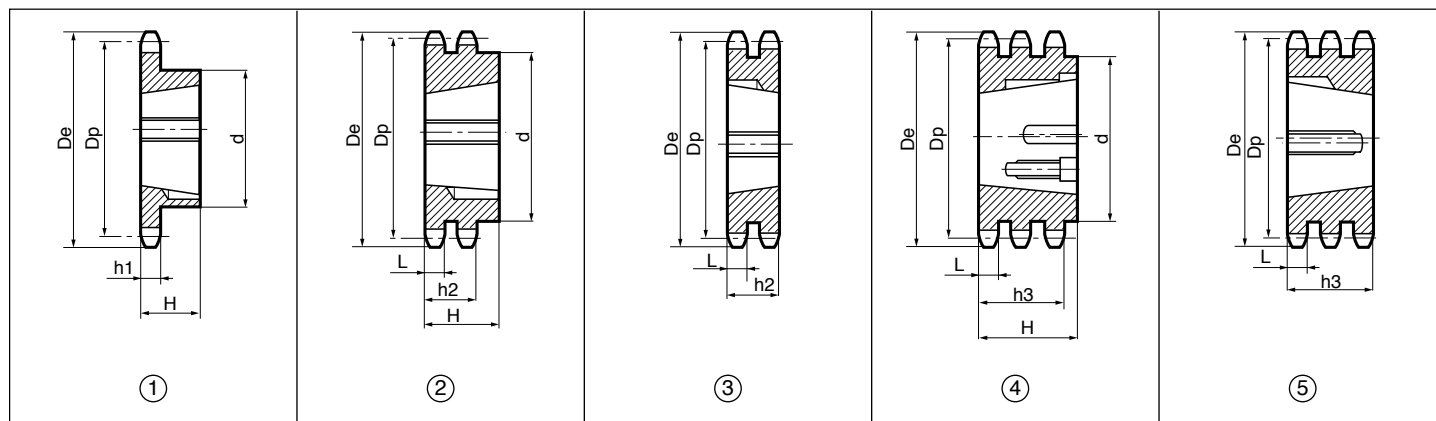


**Acciaio - Steel - Stahl - Acier - Acero = C 45 E - UNI EN 10083-1**

Z	$D_e$	$D_p$	TS					TD				TT							
			cod.	d	H	per Bussola for Bush für Buchse pour Moyeux amovibles para Casquillos cónicos	Esecuz. tipo Type Typ Type Tpo	cod.	d	H	per Bussola for Bush für Buchse pour Moyeux amovibles para Casquillos cónicos	Esecuz. tipo Type Typ Type Tpo	cod.	d	H	per Bussola for Bush für Buchse pour Moyeux amovibles para Casquillos cónicos	Esecuz. tipo Type Typ Type Tpo		
13	87,5	79,59	TS 11013	60	25	1210	1												
14	93,6	85,61	TS 11014	70	25	1610	1												
15	99,8	91,63	TS 11015	70	25	1610	1	TD 11015	-	30,3	1610	3	TT 11015	-	49,8	1615	5		
16	105,5	97,65	TS 11016	75	25	1610	1	TD 11016	-	30,3	1610	3							
17	111,5	103,67	TS 11017	76	25	1610	1	TD 11017	-	30,3	1610	3	TT 11017	-	49,8	2012	5		
18	118,0	109,71	TS 11018	90	32	2012	1	TD 11018	90	32	2012	2							
19	124,2	115,75	TS 11019	90	32	2012	1	TD 11019	90	32	2012	2	TT 11019	-	49,8	2012	5		
20	129,7	121,78	TS 11020	90	32	2012	1	TD 11020	108	45	2517	2							
21	136,0	127,82	TS 11021	102	45	2517	1	TD 11021	108	45	2517	2	TT 11021	-	49,8	2517	5		
22	141,8	133,86	TS 11022	102	45	2517	1	TD 11022	108	45	2517	2							
23	149,0	139,90	TS 11023	108	45	2517	1	TD 11023	108	45	2517	2	TT 11023	-	49,8	2517	5		
24	153,9	145,94	TS 11024	108	45	2517	1	TD 11024	108	45	2517	2							
25	160,0	152,00	TS 11025	108	45	2517	1	TD 11025	108	45	2517	2	TT 11025	-	49,8	2517	5		
26	165,9	158,04	TS 11026	108	45	2517	1	TD 11026	108	45	2517	2							
27	172,3	164,00	TS 11027	108	45	2517	1	TD 11027	108	45	2517	2	TT 11027	140	51	3020	4		
28	178,0	170,13	TS 11028	108	45	2517	1	TD 11028	108	45	2517	2							
30	190,5	182,25	TS 11030	108	45	2517	1	TD 11030	108	45	2517	2	TT 11030	140	51	3020	4		
38	239,0	230,69	TS 11038	108	45	2517	1	TD 11038	140	51	3020	2	TT 11038	140	51	3020	4		
45	282,5	273,10	TS 11045	108	45	2517	1	TD 11045	140	51	3020	2	TT 11045	140	51	3020	4		
57	355,4	345,81	TS 11057	108	45	2517	1	TD 11057	140	51	3020	2	TT 11057	140	51	3020	4		
76	469,9	460,99	TS 11076	108	45	2517	1	TD 11076	140	51	3020	2	TT 11076	140	51	3020	4		
95	585,1	576,17	TS 11095	108	45	2517	1	TD 11095	140	51	3020	2							
114	700,6	691,36	TS 11114	108	64	2525	1												



**Pignoni per bussole coniche**  
**Taper bored sprockets**  
**Kettenräder für Spannbuchsen**  
**Pignons à moyeu amovible**  
**Piñones para casquillos cónicos**



**1" x 17,02 mm**      **16B - 1-2-3**      **25,4 x 17,2 mm - DIN 8187 - ISO/R 606**

CATENA:	CHAIN:	KETTE:	CHAÎNE:	CADENA:	ISO mm
Passo	Pitch	Teilung	Pas	Paso	<b>25,4</b>
Larghezza interna	Internal width	Innere Breite	Largeur interieure	Ancho interno	<b>17,02</b>
Rullo ø	Roller ø	Rollen ø	ø du rouleau	Rodillo ø	<b>15,88</b>

PIGNONE	SPROCKETS	KETTENRÄDER	PIGNONS	PIÑONES	ISO mm
Raggio dente r	Tooth radius r	Radius r	Rayon de denture r	Radio diente r	<b>r 26</b>
Larghezza raggio C	Radius width C	Breite C	Largeur de rayon C	Ancho radio C	<b>C 2,5</b>
Largh. dente h <sub>1</sub>	Tooth width h <sub>1</sub>	Zahnbreite h <sub>1</sub>	Larg. de denture h <sub>1</sub>	Ancho diente h <sub>1</sub>	<b>h<sub>1</sub> 16,2</b>
Largh. dente L	Tooth width L	Zahnbreite L	Larg. de denture L	Ancho diente L	<b>L 15,8</b>
Largh. dente h <sub>2</sub>	Tooth width h <sub>2</sub>	Zahnbreite h <sub>2</sub>	Larg. de denture h <sub>2</sub>	Ancho diente h <sub>2</sub>	<b>h<sub>2</sub> 47,7</b>
Largh. dente h <sub>3</sub>	Tooth width h <sub>3</sub>	Zahnbreite h <sub>3</sub>	Larg. de denture h <sub>3</sub>	Ancho diente h <sub>3</sub>	<b>h<sub>3</sub> 79,6</b>

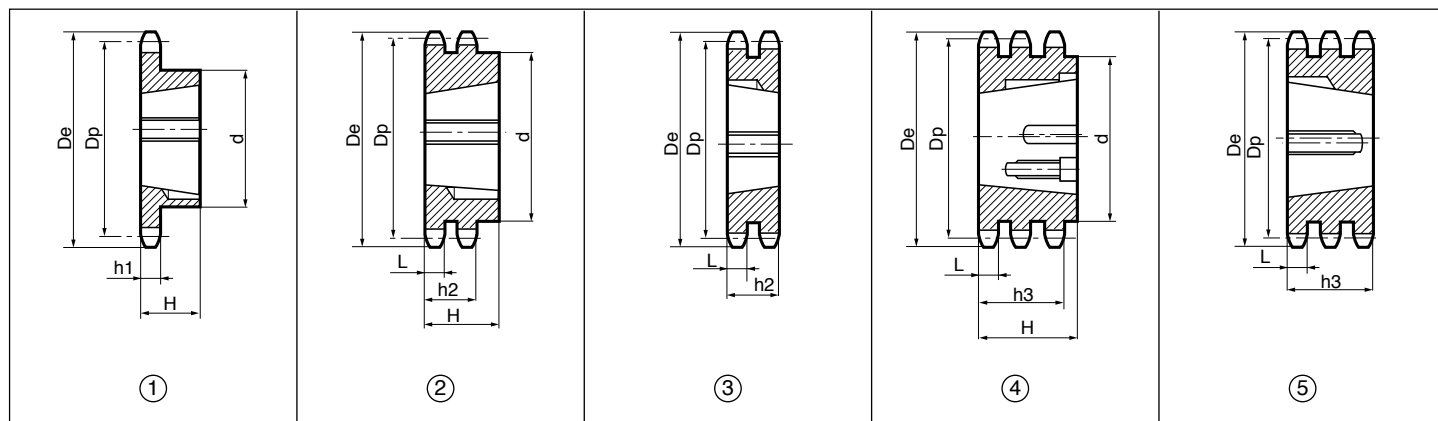


**Acciaio - Steel - Stahl - Acier - Acero = C 45 E - UNI EN 10083-1**

Z	D <sub>e</sub>	D <sub>p</sub>	TS				TD				TT							
			cod.	d	H	per Bussola for Bush für Buchse pour Moyeux amovibles para Casquillos cónicos	Esecuz. tipo Type Typ Type Tipo	cod.	d	H	per Bussola for Bush für Buchse pour Moyeux amovibles para Casquillos cónicos	Esecuz. tipo Type Typ Type Tipo	cod.	d	H	per Bussola for Bush für Buchse pour Moyeux amovibles para Casquillos cónicos	Esecuz. tipo Type Typ Type Tipo	
13	117,0	106,12	TS 12013	73	25	1610	1	TD 12013	-	47,7	2012	3						
14	125,0	114,15	TS 12014	76	25	1610	1											
15	133,0	122,17	TS 12015	76	25	1610	1	TD 12015	-	47,7	2012	3						
16	141,0	130,20	TS 12016	90	32	2012	1											
17	149,0	138,22	TS 12017	90	32	2012	1	TD 12017	-	47,7	2517	3	TT 12017	-	79,6	2517	5	
18	157,0	146,28	TS 12018	108	45	2517	1											
19	165,2	154,33	TS 12019	108	45	2517	1	TD 12019	-	47,7	2517	3	TT 12019	-	79,6	3020	5	
20	173,2	162,38	TS 12020	108	45	2517	1											
21	181,2	170,43	TS 12021	110	45	2517	1	TD 12021	140	51	3020	2	TT 12021	-	79,6	3030	5	
22	189,3	178,48	TS 12022	110	45	2517	1											
23	197,5	186,53	TS 12023	110	45	2517	1	TD 12023	140	51	3020	2	TT 12023	-	79,6	3525	5	
24	205,5	194,59	TS 12024	110	45	2517	1											
25	213,5	202,66	TS 12025	110	45	2517	1	TD 12025	140	51	3020	2	TT 12025	-	79,6	3525	5	
26	221,6	210,72	TS 12026	110	45	2517	1											
27	229,6	218,79	TS 12027	110	45	2517	1	TD 12027	140	51	3020	2	TT 12027	-	79,6	3525	5	
28	237,7	226,85	TS 12028	110	45	2517	1											
30	254,0	243,00	TS 12030	140	51	3020	1	TD 12030	140	51	3020	2	TT 12030	-	79,6	3525	5	
38	320,7	307,59	TS 12038	140	51	3020	1	TD 12038	140	51	3020	2	TT 12038	-	79,6	3525	5	
45	377,1	364,13	TS 12045	140	51	3020	1	TD 12045	140	51	3020	2	TT 12045	216	79,6	4030	5	
57	474,0	461,07	TS 12057	140	51	3020	1	TD 12057	175	65	3525	2	TT 12057	216	79,6	4030	5	
76	627,0	614,65	TS 12076	140	51	3020	1	TD 12076	175	65	3525	2	TT 12076	216	79,6	4030	5	
95	781,1	768,22	TS 12095	140	51	3020	1	TD 12095	215	65	3525	2	TT 12095	240	79,6	4030	5	
114	934,3	921,81	TS 12114	140	76	3030	1	TD 12114	215	102	4040	2						



**Pignoni per bussole coniche**  
**Taper bored sprockets**  
**Kettenräder für Spannbuchsen**  
**Pignons à moyeu amovible**  
**Piñones para casquillos cónicos**



**1" 1/4 x 3/4"**

**20B - 1-2-3 31,75 x 19,56 mm - DIN 8187 - ISO/R 606**

CATENA:	CHAIN:	KETTE:	CHAÎNE:	CADENA:	ISO mm
Passo	Pitch	Teilung	Pas	Paso	<b>31,75</b>
Larghezza interna	Internal width	Innere Breite	Largeur interieure	Ancho interno	<b>19,56</b>
Rullo $\varnothing$	Roller $\varnothing$	Rollen $\varnothing$	$\varnothing$ du rouleau	Rodillo $\varnothing$	<b>19,05</b>

PIGNONE	SPROCKETS	KETTENRÄDER	PIGNONS	PIÑONES	ISO mm
Raggio dente r	Tooth radius r	Radius r	Rayon de denture r	Radio diente r	<b>r 32</b>
Larghezza raggio C	Radius width C	Breite C	Largeur de rayon C	Ancho radio C	<b>C 3,5</b>
Largh. dente $h_1$	Tooth width $h_1$	Zahnbreite $h_1$	Larg. de denture $h_1$	Ancho diente $h_1$	<b><math>h_1</math> 18,5</b>
Largh. dente L	Tooth width L	Zahnbreite L	Larg. de denture L	Ancho diente L	<b>L 18,2</b>
Largh. dente $h_2$	Tooth width $h_2$	Zahnbreite $h_2$	Larg. de denture $h_2$	Ancho diente $h_2$	<b><math>h_2</math> 54,6</b>
Largh. dente $h_3$	Tooth width $h_3$	Zahnbreite $h_3$	Larg. de denture $h_3$	Ancho diente $h_3$	<b><math>h_3</math> 91</b>



**Acciaio - Steel - Stahl - Acier - Acero = C 45 E - UNI EN 10083-1**

Z	D <sub>e</sub>	D <sub>p</sub>	TS				
			cod.	d	H	per Bussola for Bush für Buchse pour Moyeux amovibles para Casquillos cónicos	Esecuz. tipo Type Typ Type Tro
13	147,8	132,65	TS 13013	90	32	2012	1
14	157,8	142,68	TS 13014	90	32	2012	1
15	167,9	152,72	TS 13015	108	45	2517	1
16	177,9	162,75	TS 13016	108	45	2517	1
17	187,9	172,78	TS 13017	108	45	2517	1
18	198,0	182,85	TS 13018	108	45	2517	1
19	208,1	192,91	TS 13019	108	45	2517	1
20	218,1	202,98	TS 13020	108	45	2517	1
21	228,2	213,04	TS 13021	108	45	2517	1
22	238,3	223,11	TS 13022	108	45	2517	1
23	248,3	233,17	TS 13023	108	45	2517	1
24	258,4	243,23	TS 13024	108	45	2517	1
25	268,5	253,33	TS 13025	108	45	2517	1
27	288,6	273,40	TS 13027	150	51	3020	1
30	318,9	303,75	TS 13030	150	51	3020	1
38	399,6	384,49	TS 13038	160	51	3020	1
45	470,3	455,17	TS 13045	160	51	3020	1
57	591,5	576,36	TS 13057	160	51	3020	1
76	783,5	768,32	TS 13076	160	51	3020	1



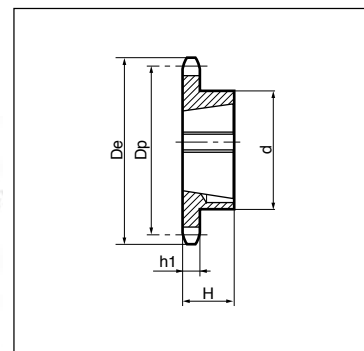
## Pignoni per bussole coniche temprati ad induzione sui denti (45 ÷ 55 HRC)

## Taper bored sprockets with induction hardened teeth (45 ÷ 55 HRC)

## Kettenräder für Spannbuchse mit gehärteten zähnen (45 ÷ 55 HRC)

## Pignons à moyeu amovible avec denture traitée (45 ÷ 55 HRC)

## Piñones para casquillos cónicos con dientes tratados (45 ÷ 55 HRC)



Materiale C 45 E - Material C 45 E - Matière C 45 E - Materiel C 45 E UNI EN 10083-1

### 3/8" x 7/32" - 06B R. 6,35

Z	De	Dp	TS				
			cod.	d	H	Esecuz. tipo Type Typ Type Typo	
17	55,3	51,83	TS 05T17	45	22	1008	1
18	58,3	54,85	TS 05T18	45	22	1008	1
19	61,3	57,87	TS 05T19	45	22	1008	1
20	64,3	60,89	TS 05T20	46	22	1008	1
21	68,0	63,91	TS 05T21	46	22	1008	1
22	71,0	66,93	TS 05T22	50	22	1008	1
23	73,5	69,95	TS 05T23	63	25	1210	1
24	77,0	72,97	TS 05T24	63	25	1210	1
25	80,0	76,02	TS 05T25	63	25	1210	1
26	83,0	79,02	TS 05T26	63	25	1210	1
27	86,0	82,02	TS 05T27	63	25	1210	1
28	89,0	85,07	TS 05T28	63	25	1210	1
30	94,7	91,12	TS 05T30	63	25	1210	1

### 1/2" x 5/16" - 08B R. 8,51

Z	De	Dp	TS				
			cod.	d	H	Esecuz. tipo Type Typ Type Typo	
15	65,5	61,90	TS 09T15	45	22	1008	1
16	69,5	65,10	TS 09T16	50	22	1108	1
17	73,6	69,11	TS 09T17	60	25	1210	1
18	77,8	73,14	TS 09T18	60	25	1210	1
19	81,7	77,16	TS 09T19	63	25	1210	1
20	85,8	81,19	TS 09T20	71	25	1610	1
21	89,7	85,22	TS 09T21	71	25	1610	1
22	93,8	89,24	TS 09T22	71	25	1610	1
23	98,2	93,27	TS 09T23	76	25	1610	1
24	101,8	97,29	TS 09T24	76	25	1610	1
25	105,8	101,33	TS 09T25	76	25	1610	1
26	110,0	105,36	TS 09T26	76	25	1610	1
27	114,4	109,40	TS 09T27	76	25	1610	1
28	118,0	113,42	TS 09T28	90	32	2012	1
30	126,1	121,50	TS 09T30	90	32	2012	1

### 5/8" x 3/8" - 10B R. 10,16

Z	De	Dp	TS				
			cod.	d	H	Esecuz. tipo Type Typ Type Typo	
13	73,0	66,32	TS 10T13	47	22	1008	1
14	78,0	71,34	TS 10T14	52	22	1108	1
15	83,0	76,36	TS 10T15	60	25	1210	1
16	88,0	81,37	TS 10T16	70	25	1610	1
17	93,0	86,36	TS 10T17	71	25	1610	1
18	98,3	91,42	TS 10T18	75	25	1610	1
19	103,3	96,45	TS 10T19	75	25	1610	1
20	108,4	101,49	TS 10T20	75	25	1610	1
21	113,4	106,52	TS 10T21	76	25	1610	1
22	118,0	111,55	TS 10T22	76	25	1610	1
23	123,4	116,58	TS 10T23	76	25	1610	1
24	128,3	121,62	TS 10T24	90	32	1610	1
25	134,0	126,66	TS 10T25	90	32	2012	1
26	139,0	131,70	TS 10T26	90	32	2012	1
27	144,0	136,75	TS 10T27	90	32	2012	1
28	148,7	141,78	TS 10T28	90	32	2012	1
30	158,8	151,87	TS 10T30	90	32	2012	1

### 3/4" x 7/16" - 12B R. 12,07

Z	De	Dp	TS				
			cod.	d	H	Esecuz. tipo Type Typ Type Typo	
13	87,5	79,59	TS 11T13	60	25	1210	1
14	93,6	85,61	TS 11T14	70	25	1610	1
15	99,8	91,63	TS 11T15	70	25	1610	1
16	105,5	97,65	TS 11T16	75	25	1610	1
17	111,5	103,67	TS 11T17	76	25	1610	1
18	118,0	109,71	TS 11T18	90	32	2012	1
19	124,2	115,75	TS 11T19	90	32	2012	1
20	129,7	121,78	TS 11T20	90	32	2012	1
21	136,0	127,82	TS 11T21	102	45	2517	1
22	141,8	133,86	TS 11T22	102	45	2517	1
23	149,0	139,90	TS 11T23	108	45	2517	1
24	153,9	145,94	TS 11T24	108	45	2517	1
25	160,0	152,00	TS 11T25	108	45	2517	1
26	165,9	158,04	TS 11T26	108	45	2517	1
27	172,3	164,00	TS 11T27	108	45	2517	1
28	178,0	170,13	TS 11T28	108	45	2517	1
30	190,5	182,25	TS 11T30	108	45	2517	1

### 1" x 17,2 - 16B R. 15,88

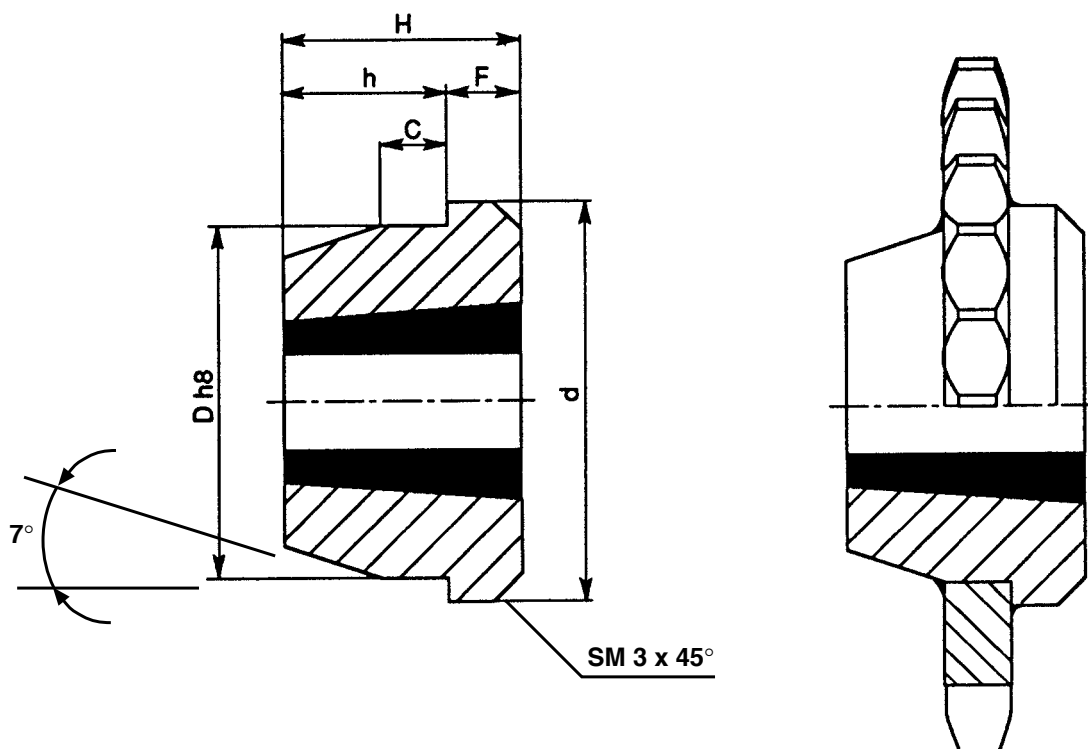
Z	De	Dp	TS				
			cod.	d	H	Esecuz. tipo Type Typ Type Typo	
13	117,0	106,12	TS 12T13	73	25	1610	1
14	125,0	114,15	TS 12T14	76	25	1610	1
15	133,0	122,17	TS 12T15	76	25	1610	1
16	141,0	130,20	TS 12T16	90	32	2012	1
17	149,0	138,22	TS 12T17	90	32	2012	1
18	157,0	146,28	TS 12T18	108	45	2517	1
19	165,2	154,33	TS 12T19	108	45	2517	1
20	173,2	162,38	TS 12T20	108	45	2517	1
21	181,2	170,43	TS 12T21	110	45	2517	1
22	189,3	178,48	TS 12T22	110	45	2517	1
23	197,5	186,53	TS 12T23	110	45	2517	1
24	205,5	194,59	TS 12T24	110	45	2517	1
25	213,5	202,66	TS 12T25	110	45	2517	1
26	221,6	210,72	TS 12T26	110	45	2517	1
27	229,6	218,79	TS 12T27	110	45	2517	1
28	237,7	226,85	TS 12T28	110	45	2517	1
30	254,0	243,00	TS 12T30	140	51	3020	1

### 1" 1/4 x 3/4" - 20B R. 19,05

Z	De	Dp	TS				
			cod.	d	H	Esecuz. tipo Type Typ Type Typo	
13	147,8	132,65	TS 13T13	90	32	2012	1
15	167,9	152,72	TS 13T15	108	45	2517	1
17	187,9	172,78	TS 13T17	108	45	2517	1
19	208,1	192,91	TS 13T19	108	45	2517	1
21	228,2	213,04	TS 13T21	108	45	2517	1
23	248,3	233,17	TS 13T23	108	45	2517	1
25	268,5	253,33	TS 13T25	108	45	2517	1
27	288,6	273,40	TS 13T27	150	51	3020	1
30	318,9	303,75	TS 13T30	150	51	3020	1



**Mozzi saldabili per bussola conica**  
**Welding hubs for taper bushes**  
**Einschweissnaben für Spannbuchsen**  
**Moyeux coniques a souder**  
**Cubos soldados para casquillos cónicos**



**Materiale Fe 50 - Material St 50 - St 60 - Matière Fe 50 ± St 60 - Materiel Fe 50 ± St 60**

TIPO BUSSOLA BUSH TYPE BUCHSE TYP MOYEUR TYPE CASQUILLOS TIPO	COD.	d	H	C	F	h	Dh8
<b>1210</b>	MSB1210	73	25	10	9	16	60
<b>1215</b>	MSB1215	76	38	11	16	22	60
<b>1610</b>	MSB1610	83	25	10	9	16	70
<b>1615</b>	MSB1615	83	38	11	16	22	70
<b>2012</b>	MSB2012	96	32	12	10	22	90
<b>2517</b>	MSB2517	127	45	13	19	26	110
<b>3020</b>	MSB3020	152	51	18	24	27	130
<b>3030</b>	MSB3030	152	76	19	25	51	130
<b>3525</b>	MSB3525	184	65	25	25	40	155
<b>3535</b>	MSB3535	184	89	25	32	57	155
<b>4040</b>	MSB4040	225	102	35	32	70	195
<b>4545</b>	MSB4545	254	114	40	38	76	220
<b>5050</b>	MSB5050	276	127	40	38	89	242

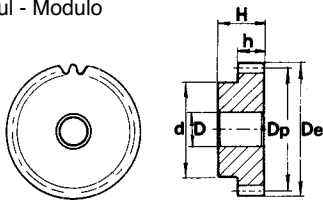


# Ruote dentate cilindriche con mozzo laterale / Spur gears with side hub Zahnräder mit Nabe / Roues cylindriques avec moyeu lateral Ruedas dentadas cilindricas con cubo lateral

Spessore dente "h" per: - Tooth width "h" for:  
Zahnbreite "h" für: - Largeur denture "h" pour:  
Ancho dente "h" para:

Modulo - Module - Modul - Modulo

- 1 = 15 mm
- 1,5 = 17 mm
- 2 = 20 mm
- 2,5 = 25 mm
- 3 = 30 mm
- 4 = 40 mm
- 5 = 50 mm
- 6 = 60 mm



Altezza totale "H" per: - Through bore "H" for:  
Gesamtbreite "H" für: - Hauteur totale "H" pour:  
Altura totale "H" para:

Modulo - Module - Modul - Modulo

- 1 = 25 mm
- 1,5 = 30 mm
- 2 = 35 mm
- 2,5 = 40 mm
- 3 = 50 mm
- 4 = 60 mm
- 5 = 75 mm
- 6 = 80 mm



Angolo di pressione 20° - Pressure angle 20° - Eingriffswinkel 20° - Angle de pression 20° - Angulo de presion 20°

Materiale C 45 E - Material C 45 E - Matière C 45 E - Materiel C 45 E - UNI EN 10083-1

Z	Mod. 1					Mod. 1,5					Mod. 2				
	cod.	De	Dp	d	D	cod.	De	Dp	d	D	cod.	De	Dp	d	D
12	PM 26012	14	12	9	5	PM 27012	21,0	18,0	14	8	PM 28012	28	24	18	10
13	PM 26013	15	13	10	5	PM 27013	22,5	19,5	14	8	PM 28013	30	26	19	10
14	PM 26014	16	14	10	5	PM 27014	24,0	21,0	18	8	PM 28014	32	28	20	10
15	PM 26015	17	15	12	6	PM 27015	25,5	22,5	18	8	PM 28015	34	30	22	10
16	PM 26016	18	16	13	6	PM 27016	27,0	24,0	20	8	PM 28016	36	32	24	10
17	PM 26017	19	17	14	8	PM 27017	28,5	25,5	20	8	PM 28017	38	34	25	10
18	PM 26018	20	18	15	8	PM 27018	30,0	27,0	20	8	PM 28018	40	36	25	10
19	PM 26019	21	19	15	8	PM 27019	31,5	28,5	20	8	PM 28019	42	38	25	10
20	PM 26020	22	20	16	8	PM 27020	33,0	30,0	25	8	PM 28020	44	40	30	10
21	PM 26021	23	21	16	8	PM 27021	34,5	31,5	25	10	PM 28021	46	42	30	12
22	PM 26022	24	22	18	8	PM 27022	36,0	33,0	25	10	PM 28022	48	44	30	12
23	PM 26023	25	23	18	8	PM 27023	37,5	34,5	25	10	PM 28023	50	46	30	12
24	PM 26024	26	24	20	8	PM 27024	39,0	36,0	25	10	PM 28024	52	48	35	12
25	PM 26025	27	25	20	8	PM 27025	40,5	37,5	25	10	PM 28025	54	50	35	12
26	PM 26026	28	26	20	8	PM 27026	42,0	39,0	30	12	PM 28026	56	52	40	12
27	PM 26027	29	27	20	8	PM 27027	43,5	40,5	30	12	PM 28027	58	54	40	12
28	PM 26028	30	28	20	8	PM 27028	45,0	42,0	30	12	PM 28028	60	56	40	12
29	PM 26029	31	29	20	8	PM 27029	46,5	43,5	30	12	PM 28029	62	58	40	14
30	PM 26030	32	30	20	8	PM 27030	48,0	45,0	30	12	PM 28030	64	60	40	14
31	PM 26031	33	31	25	10	PM 27031	49,5	46,5	35	12	PM 28031	66	62	45	14
32	PM 26032	34	32	25	10	PM 27032	51,0	48,0	35	12	PM 28032	68	64	45	14
33	PM 26033	35	33	25	10	PM 27033	52,5	49,5	35	12	PM 28033	70	66	45	14
34	PM 26034	36	34	25	10	PM 27034	54,0	51,0	35	12	PM 28034	72	68	45	14
35	PM 26035	37	35	25	10	PM 27035	55,5	52,5	35	12	PM 28035	74	70	45	14
36	PM 26036	38	36	25	10	PM 27036	57,0	54,0	35	12	PM 28036	76	72	45	14
37	PM 26037	39	37	25	10	PM 27037	58,5	55,5	40	12	PM 28037	78	74	50	14
38	PM 26038	40	38	25	10	PM 27038	60,0	57,0	40	12	PM 28038	80	76	50	14
39	PM 26039	41	39	25	10	PM 27039	61,5	58,5	40	12	PM 28039	82	78	50	14
40	PM 26040	42	40	25	10	PM 27040	63,0	60,0	40	12	PM 28040	84	80	50	14
41	PM 26041	43	41	30	10	PM 27041	64,5	61,5	50	14	PM 28041	86	82	60	16
42	PM 26042	44	42	30	10	PM 27042	66,0	63,0	50	14	PM 28042	88	84	60	16
43	PM 26043	45	43	30	10	PM 27043	67,5	64,5	50	14	PM 28043	90	86	60	16
44	PM 26044	46	44	30	10	PM 27044	69,0	66,0	50	14	PM 28044	92	88	60	16
45	PM 26045	47	45	30	10	PM 27045	70,5	67,5	50	14	PM 28045	94	90	60	16
46	PM 26046	48	46	30	10	PM 27046	72,0	69,0	50	14	PM 28046	96	92	60	16
47	PM 26047	49	47	30	10	PM 27047	73,5	70,5	50	14	PM 28047	98	94	60	16
48	PM 26048	50	48	30	10	PM 27048	75,0	72,0	50	14	PM 28048	100	96	70	16
49	PM 26049	51	49	30	10	PM 27049	76,5	73,5	50	14	PM 28049	102	98	70	16
50	PM 26050	52	50	30	12	PM 27050	78,0	75,0	50	14	PM 28050	104	100	70	16
51	PM 26051	53	51	40	12	PM 27051	79,5	76,5	60	15	PM 28051	106	102	70	20
52	PM 26052	54	52	40	12	PM 27052	81,0	78,0	60	15	PM 28052	108	104	70	20
53	PM 26053	55	53	40	12	PM 27053	82,5	79,5	60	15	PM 28053	110	106	70	20
54	PM 26054	56	54	40	12	PM 27054	84,0	81,0	60	15	PM 28054	112	108	70	20
55	PM 26055	57	55	40	12	PM 27055	85,5	82,5	60	15	PM 28055	114	110	70	20
56	PM 26056	58	56	40	12	PM 27056	87,0	84,0	60	15	PM 28056	116	112	70	20
57	PM 26057	59	57	40	12	PM 27057	88,5	85,5	60	15	PM 28057	118	114	70	20
58	PM 26058	60	58	40	12	PM 27058	90,0	87,0	60	15	PM 28058	120	116	70	20
59	PM 26059	61	59	40	12	PM 27059	91,5	88,5	60	15	PM 28059	122	118	70	20
60	PM 26060	62	60	40	12	PM 27060	93,0	90,0	60	15	PM 28060	124	120	70	20
61	PM 26061	63	61	50	12	PM 27061	94,5	91,5	70	20	PM 28061	126	122	80	20
62	PM 26062	64	62	50	12	PM 27062	96,0	93,0	70	20	PM 28062	128	124	80	20
63	PM 26063	65	63	50	12	PM 27063	97,5	94,5	70	20	PM 28063	130	126	80	20
64	PM 26064	66	64	50	12	PM 27064	99,0	96,0	70	20	PM 28064	132	128	80	20
65	PM 26065	67	65	50	12	PM 27065	100,5	97,5	70	20	PM 28065	134	130	80	20
66	PM 26066	68	66	50	12	PM 27066	102,0	99,0	70	20	PM 28066	136	132	80	20
67	PM 26067	69	67	50	12	PM 27067	103,5	100,5	70	20	PM 28067	138	134	80	20
68	PM 26068	70	68	50	12	PM 27068	105,0	102,0	70	20	PM 28068	140	136	80	20
69	PM 26069	71	69	50	12	PM 27069	106,5	103,5	70	20	PM 28069	142	138	80	20
70	PM 26070	72	70	50	12	PM 27070	108,0	105,0	70	20	PM 28070	144	140	80	20
72	PM 26072	74	72	50	12	PM 27072	111,0	144,0	80	20	PM 28072	148	144	80	20
75	PM 26075	77	75	50	12										
76	PM 26076	78	76	50	12										
80	PM 26080	82	80	50	12										
90	PM 26090	92	90	50	12										
100	PM 26100	102	100	60	12										





**Ruote dentate cilindriche con mozzo laterale / Spur gears with side hub**  
**Zahnräder mit Nabe / Roues cylindriques avec moyeu lateral**  
**Ruedas dentadas cilindricas con cubo lateral**

Z	Mod. 2,5					Mod. 3					Mod. 4				
	cod.	D <sub>e</sub>	D <sub>p</sub>	d	D	cod.	D <sub>e</sub>	D <sub>p</sub>	d	D	cod.	D <sub>e</sub>	D <sub>p</sub>	d	D
12	PM 29012	35,0	30,0	22	10	PM 30012	42	36	25	12	PM 31012	56	48	35	14
13	PM 29013	37,5	32,5	25	10	PM 30013	45	39	25	12	PM 31013	60	52	40	14
14	PM 29014	40,0	35,0	28	10	PM 30014	48	42	30	12	PM 31014	64	56	45	14
15	PM 29015	42,5	37,5	30	10	PM 30015	51	45	35	12	PM 31015	68	60	45	14
16	PM 29016	45,0	40,0	32	12	PM 30016	54	48	38	15	PM 31016	72	64	50	15
17	PM 29017	47,5	42,5	35	12	PM 30017	57	51	42	15	PM 31017	76	68	50	15
18	PM 29018	50,0	45,0	35	12	PM 30018	60	54	45	15	PM 31018	80	72	50	15
19	PM 29019	52,5	47,5	35	12	PM 30019	63	57	45	15	PM 31019	84	76	60	15
20	PM 29020	55,0	50,0	40	14	PM 30020	66	60	45	15	PM 31020	88	80	60	15
21	PM 29021	57,5	52,5	40	14	PM 30021	69	63	45	15	PM 31021	92	84	70	20
22	PM 29022	60,0	55,0	45	14	PM 30022	72	66	50	15	PM 31022	96	88	70	20
23	PM 29023	62,5	57,5	45	14	PM 30023	75	69	50	15	PM 31023	100	92	75	20
24	PM 29024	65,0	60,0	45	14	PM 30024	78	72	50	16	PM 31024	104	96	75	20
25	PM 29025	67,5	62,5	50	14	PM 30025	81	75	60	16	PM 31025	108	100	75	20
26	PM 29026	70,0	65,0	50	14	PM 30026	84	78	60	16	PM 31026	112	104	75	20
27	PM 29027	72,5	67,5	50	14	PM 30027	87	81	60	16	PM 31027	116	108	75	20
28	PM 29028	75,0	70,0	50	14	PM 30028	90	84	60	16	PM 31028	120	112	75	20
29	PM 29029	77,5	72,5	50	14	PM 30029	93	87	60	16	PM 31029	124	116	75	20
30	PM 29030	80,0	75,0	55	16	PM 30030	96	90	60	16	PM 31030	128	120	75	20
31	PM 29031	82,5	77,5	55	16	PM 30031	99	93	70	20	PM 31031	132	124	80	20
32	PM 29032	85,0	80,0	55	16	PM 30032	102	96	70	20	PM 31032	136	128	80	20
33	PM 29033	87,5	82,5	55	16	PM 30033	105	99	70	20	PM 31033	140	132	80	20
34	PM 29034	90,0	85,0	55	16	PM 30034	108	102	70	20	PM 31034	144	136	80	20
35	PM 29035	92,5	87,5	60	16	PM 30035	111	105	70	20	PM 31035	148	140	80	20
36	PM 29036	95,0	90,0	60	16	PM 30036	114	108	70	20	PM 31036	152	144	80	20
37	PM 29037	97,5	92,5	60	16	PM 30037	117	111	80	20	PM 31037	156	148	80	20
38	PM 29038	100,0	95,0	60	16	PM 30038	120	114	80	20	PM 31038	160	152	80	25
39	PM 29039	102,5	97,5	60	16	PM 30039	123	117	80	20	PM 31039	164	156	80	25
40	PM 29040	105,0	100,0	70	20	PM 30040	126	120	80	20	PM 31040	168	160	80	25
41	PM 29041	107,5	102,5	70	20	PM 30041	129	123	90	20					
42	PM 29042	110,0	105,0	70	20	PM 30042	132	126	90	20					
43	PM 29043	112,5	107,5	70	20	PM 30043	135	129	90	20					
44	PM 29044	115,0	110,0	70	20	PM 30044	138	132	90	20					
45	PM 29045	117,5	112,5	70	20	PM 30045	141	135	90	20	PM 31045	188	180	80	25
46	PM 29046	120,0	115,0	70	20	PM 30046	144	138	90	20					
47	PM 29047	122,5	117,5	80	20	PM 30047	147	141	90	20					
48	PM 29048	125,0	120,0	80	20	PM 30048	150	144	100	20	PM 31048	200	192	80	25
49	PM 29049	127,5	122,5	80	20	PM 30049	153	147	100	20					
50	PM 29050	130,0	125,0	80	20	PM 30050	156	150	100	20	PM 31050	208	200	80	25
51	PM 29051	132,5	127,5	90	20										
52	PM 29052	135,0	130,0	90	20										
53	PM 29053	137,5	132,5	90	20										
54	PM 29054	140,0	135,0	90	20	PM 30054	168	162	100	20					
55	PM 29055	142,5	137,5	90	20	PM 30055	171	165	100	20					
56	PM 29056	145,0	140,0	100	20	PM 30056	174	168	100	20					
57	PM 29057	147,5	142,5	100	20	PM 30057	177	171	100	20					
58	PM 29058	150,0	145,0	100	20										
59	PM 29059	152,5	147,5	100	20										
60	PM 29060	155,0	150,0	100	20	PM 30060	186	180	100	20	PM 31060	248	240	100	25
62	PM 29062	160,0	155,0	100	20	PM 30062	192	186	100	20					
63	PM 29063	162,5	157,5	100	20										
65	PM 29065	167,5	162,5	100	20	PM 30065	201	195	100	20	PM 31065	268	260	100	25
67	PM 29067	172,5	167,5	100	20										
70	PM 29070	180,0	175,0	100	20										

Z	Mod. 5					Mod. 6				
	cod.	D <sub>e</sub>	D <sub>p</sub>	d	D	cod.	D <sub>e</sub>	D <sub>p</sub>	d	D
12	PM 32012	70	60	45	16	PM 34012	84	72	54	20
13	PM 32013	75	65	50	16					
14	PM 32014	80	70	55	20	PM 34014	96	84	65	20
15	PM 32015	85	75	60	20	PM 34015	102	90	70	20
16	PM 32016	90	80	65	20	PM 34016	108	96	75	20
17	PM 32017	95	85	70	20					
18	PM 32018	100	90	70	20	PM 34018	120	108	80	20
19	PM 32019	105	95	70	20					
20	PM 32020	110	100	80	20	PM 34020	132	120	90	20
21	PM 32021	115	105	80	20					
22	PM 32022	120	110	80	25					
23	PM 32023	125	115	90	25	PM 34023	150	138	110	25
24	PM 32024	130	120	90	25	PM 34024	156	144	110	25
25	PM 32025	135	125	90	25	PM 34025	162	150	110	25
26	PM 32026	140	130	100	25					
27	PM 32027	145	135	100	25					
28	PM 32028	150	140	100	25					
29	PM 32029	155	145	100	25					
30	PM 32030	160	150	100	25	PM 34030	192	180	110	25
32	PM 32032	170	160	110	25					
36	PM 32036	190	180	110	25					
38	PM 32038	200	190	110	30					
40	PM 32040	210	200	110	30	PM 34040	252	240	120	25
42	PM 32042	220	210	120	25					
55	PM 32055	285	275	120	30					
60	PM 32060	310	300	120	30					



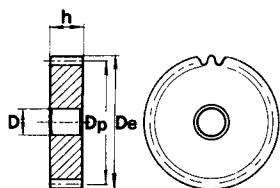
## Ruote dentate cilindriche con mozzo laterale

## Spur gears with side hub

## Zahnräder mit Nabe

## Roues cylindriques avec moyeu lateral

## Ruedas dentadas cilindricas con cubo lateral



Spessore dente " h " per:

Tooth width " h " for:

Zahnbreite " h " für:

Largeur denture " h " pour:

Ancho dente " h " para:

Modulo - Module - Modul - Modulo

1 = 15 mm

1,5 = 17 mm

2 = 20 mm

2,5 = 25 mm

3 = 30 mm

4 = 40 mm

5 = 50 mm

6 = 60 mm



Angolo di pressione 20° - Pressure angle 20° - Eingriffswinkel 20° - Angle de pression 20° - Angulo de presión 20°

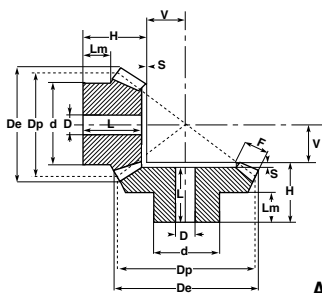
Materiale C 45 E - Material C 45 E - Matière C 45 E - Materiel C 45 E - UNI EN 10083-1

Z	Mod. 1				Mod. 1,5				Mod. 2				Mod. 2,5			
	cod.	De	Dp	d D	cod.	De	Dp	d D	cod.	De	Dp	d D	cod.	De	Dp	d D
60	CM 26060	62	60	- 12												
65													CM 29065	167,5	162,5	- 20
70	CM 26070	72	70	- 12									CM 29070	180,0	175,0	- 20
72	CM 26072	74	72	- 12	CM 27072	111,0	108,0	- 20	CM 28072	148	144	- 20	CM 29072	185,0	180,0	- 20
75	CM 26075	77	75	- 12	CM 27075	115,5	112,5	- 20	CM 28075	154	150	- 20	CM 29075	192,5	187,5	- 20
76	CM 26076	78	76	- 12	CM 27076	117,0	114,0	- 20	CM 28076	156	152	- 20	CM 29076	195,0	190,0	- 20
80	CM 26080	82	80	- 12	CM 27080	123,0	120,0	- 20	CM 28080	164	160	- 20	CM 29080	205,0	200,0	- 25
85	CM 26085	87	85	- 12	CM 27085	130,5	127,5	- 20	CM 28085	174	170	- 20	CM 29085	217,5	212,5	- 25
90	CM 26090	92	90	- 12	CM 27090	138,0	135,0	- 20	CM 28090	184	180	- 20	CM 29090	230,0	225,0	- 25
95	CM 26095	97	95	- 12	CM 27095	145,5	142,5	- 20	CM 28095	194	190	- 20	CM 29095	242,5	237,5	- 25
100	CM 26100	102	100	- 12	CM 27100	153,0	150,0	- 20	CM 28100	204	200	- 20	CM 29100	255,0	250,0	- 25
110	CM 26110	112	110	- 12	CM 27110	168,0	165,0	- 20	CM 28110	224	220	- 20	CM 29110	280,0	275,0	- 25
114	CM 26114	116	114	- 12	CM 27114	174,0	171,0	- 20	CM 28114	232	228	- 20	CM 29114	290,0	285,0	- 25
120	CM 26120	122	120	- 12	CM 27120	183,0	180,0	- 20	CM 28120	244	240	- 20	CM 29120	305,0	300,0	- 25
127	CM 26127	129	127	- 12	CM 27127	193,5	190,5	- 20	CM 28127	258	254	- 20	CM 29127	322,5	317,5	- 25

Z	Mod. 3				Mod. 4				Mod. 5				Mod. 6			
	cod.	De	Dp	d D	cod.	De	Dp	d D	cod.	De	Dp	d D	cod.	De	Dp	d D
30													CM 34030	192	180	- 25
32									CM 32032	170	160	- 25	CM 34032	204	192	- 25
35									CM 32035	185	175	- 25				
38					CM 31038	160	152	- 25	CM 32038	200	190	- 30	CM 34038	240	220	- 25
40					CM 31040	168	160	- 25	CM 32040	210	200	- 30	CM 34040	252	240	- 25
45					CM 31045	188	180	- 25	CM 32045	235	225	- 30				
48	CM 30048	150	144	- 25	CM 31048	200	192	- 25	CM 32048	250	240	- 30				
50	CM 30050	156	150	- 25	CM 31050	208	200	- 25	CM 32050	260	250	- 30				
52	CM 30052	162	156	- 25	CM 31052	216	208	- 25	CM 32052	270	260	- 30				
55	CM 30055	171	165	- 25	CM 31055	228	220	- 25	CM 32055	285	275	- 30				
57	CM 30057	177	171	- 25	CM 31057	236	228	- 25	CM 32057	295	285	- 30				
60	CM 30060	186	180	- 25	CM 31060	248	240	- 25	CM 32060	310	300	- 30				
65	CM 30065	201	195	- 25	CM 31065	268	260	- 25	CM 32065	335	325	- 30				
70	CM 30070	216	210	- 25	CM 31070	288	280	- 25	CM 32070	360	350	- 30				
72	CM 30072	222	216	- 25												
75	CM 30075	231	225	- 25	CM 31075	308	300	- 25	CM 32075	385	375	- 30				
76	CM 30076	234	228	- 25	CM 31076	312	304	- 25	CM 32076	390	380	- 30				
80	CM 30080	246	240	- 25	CM 31080	328	320	- 25	CM 32080	410	400	- 30				
85	CM 30085	261	255	- 25	CM 31085	348	340	- 25	CM 32085	435	425	- 30				
90	CM 30090	276	270	- 25	CM 31090	368	360	- 25	CM 32090	460	450	- 30				
95	CM 30095	291	285	- 25	CM 31095	388	380	- 25	CM 32095	485	475	- 30				
100	CM 30100	306	300	- 25	CM 31100	408	400	- 25	CM 32100	510	500	- 30				
110	CM 30110	336	330	- 25	CM 31110	448	440	- 25	CM 32110	560	550	- 30				
114	CM 30114	348	342	- 30	CM 31114	464	456	- 25	CM 32114	580	570	- 30				
120	CM 30120	366	360	- 30												
127	CM 30127	387	381	- 30												



**Coppie coniche ad assi normali - tipo A**  
**Bevel gear pairs with usual axes - type A**  
**Kegelräder mit Normalachsen - typ A**  
**Couples coniques avec essieux normaux - type A**  
**Engranajes conicos a ejes normales - tipo A**

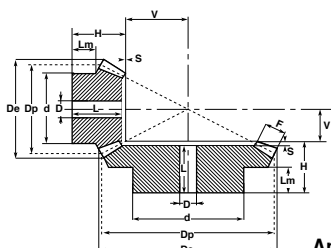


Angolo di pressione 20° - Pressure angle 20° - Eingriffswinkel 20° - Angle de pression 20° - Angulo de presion 20° - UNI 6588

Materiale C 45 E - Material C 45 E - Matière C 45 E - Materiel C 45 E - UNI EN 10083-1

Rapporto - Ratio - Untersetzung - Rapport - Relaciones 1:1

M	Z	cod.	De	Dp	H	F	d	D	V	L	Lm	S
1,5	16	C27A161	26,1	24,0	18,9	6	20,3	8	7,10	16,9	12	2
	20	C27A201	32,1	30,0	20	10	22	10	7,40	18	8,5	2
	22	C27A221	35,1	33,0	20	10	25	10	8,75	18	8,25	2
	25	C27A251	39,6	37,5	23	10	28	10	11,09	21	12	2
	30	C27A301	47,1	45,0	25	12	30	12	13,35	22,5	12	2,5
2	16	C28A161	34,8	32,0	23,5	8	25,3	10	9,50	20,5	14	3
	20	C28A201	42,8	40,0	25	12	32	10	10,78	22	12	3
	22	C28A221	46,8	44,0	25	12	36	10	12,70	22	11,7	3
	25	C28A251	52,8	50,0	28	14	40	12	14,28	25	12,3	3
	30	C28A301	62,8	60,0	30	16	50	12	17,78	27	12,8	3
2,5	16	C29A161	43,5	40,0	28,1	10	30,3	12	11,90	24,6	15	3,5
	20	C29A201	53,5	50,0	30,5	12	40	12	15,43	27	16	3,5
	22	C29A221	58,5	55,0	30,5	12	45	12	17,80	27	15,9	3,5
	25	C29A251	66,0	62,5	33,5	15	50	15	19,48	30	16	3,5
	30	C29A301	78,5	75,0	35,5	18	55	15	23,63	32	16	3,5
3	16	C30A161	52,2	48,0	31,7	12	40,3	15	14,30	27,7	18	4
	20	C30A201	64,2	60,0	35	18	45	15	16,00	31	13,6	4
	22	C30A221	70,2	66,0	35	18	50	15	19,00	31	13	4
	25	C30A251	79,2	75,0	38	20	55	15	22,00	34	16	4
	30	C30A301	94,2	90,0	40	22	60	20	28,00	36	17	4
3,5	16	C35A161	60,9	56,0	36,4	14	45,3	15	16,60	31,9	20	4,5
	20	C35A201	74,9	70,0	40,5	22	55	15	18,13	36	17	4,5
	22	C35A221	81,9	77,0	40,5	22	60	15	21,50	36	18	4,5
	25	C35A251	92,4	87,5	43,5	26	65	20	23,97	39	18	4,5
	30	C35A301	109,9	105,0	48	30	70	20	30,02	43,5	19	4,5
4	16	C31A161	69,6	64,0	44,3	15	50,3	15	19,70	39,3	25	5
	20	C31A201	85,6	80,0	43	25	60	18	20,74	38	18	5
	22	C31A221	93,6	88,0	43	25	65	18	24,70	38	18	5
	25	C31A251	105,6	100,0	45	28	70	20	28,50	40	18	5
	30	C31A301	125,6	120,0	48	32	80	25	35,67	43	16	5
4,5	16	C45A161	78,3	72,0	46,3	18	55,3	18	21,70	40,3	25	6
	20	C45A201	96,3	90,0	48	28	65	20	23,41	42	18	6
	22	C45A221	105,3	99,0	48	28	70	20	27,80	42	18	6
	25	C45A251	118,8	112,5	50	32	75	20	31,76	44	18	6
	30	C45A301	141,3	135,0	53	35	90	25	40,82	47	17	6
5	16	C32A161	87,0	80,0	48,9	18	60,3	20	25,10	42,4	24,19	6,5
	20	C32A201	107,1	100,0	50,5	30	70	20	26,86	44	18,5	6,5
	22	C32A221	117,1	110,0	50,5	30	80	20	31,70	44	18,5	6,5
	25	C32A251	132,1	125,0	53,5	34	90	20	36,36	47	18	6,5
	30	C32A301	157,1	150,0	56,5	38	110	30	45,97	50	18	6,5



Angolo di pressione 20° - Pressure angle 20° - Eingriffswinkel 20° - Angle de pression 20° - Angulo de presion 20° - UNI 6588

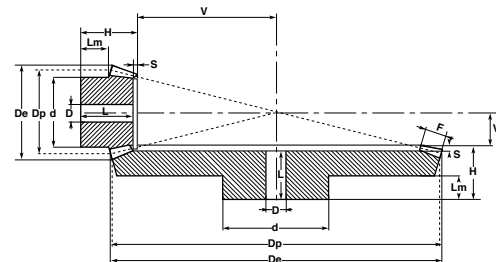
Materiale C 45 E - Material C 45 E - Matière C 45 E - Materiel C 45 E - UNI EN 10083-1

Rapporto - Ratio - Untersetzung - Rapport - Relaciones 1:2

M	Z	cod.	De	Dp	H	F	d	D	V	L	Lm	S
1,5	16	C27A322	26,7	24	19,5	8	21	10	16,33	18	11,3	1,5
	32		49,3	48	20	8	32	12	7,45	17	10	3
2	16	C28 A322	35,6	32	23	10	26	10	22,41	21	12,2	2
	32		65,8	64	25	10	40	12	10,21	21	10	4
2,5	16	C29 A322	44,4	40	27,5	12	34	12	28,38	25	14,4	2,5
	32		82,2	80	26	12	50	15	13,10	20	10	6
3	16	C30A322	53,4	48	28	15	40	15	33,64	25	11,6	3
	32		98,7	96	30	15	60	15	15,31	24	10	6
3,5	16	C35A322	62,3	56	33,5	18	48	15	38,83	30	14,4	3,5
	32		115,1	112	31	18	70	20	17,77	24	10	7
4	16	C31A322	71,1	64	36	20	50	20	44,81	32	13,4	4
	32		131,6	128	32	20	80	20	20,42	24	10	8
4,5	16	C45A322	80,1	72	39,5	22	60	20	51	35	15,4	4,5
	32		148,0	144	36	22	90	25	23,21	27	10	9
5	16	C32A322	88,9	80	50	25	60	20	56,06	45	21,1	5
	32		164,5	160	38	25	100	25	25,52	28	10	10



**Coppie coniche ad assi normali - tipo A**  
**Bevel gear pairs with usual axes - type A**  
**Kegelräder mit Normalachsen - typ A**  
**Couples coniques avec essieux normaux - type A**  
**Engranajes conicos a ejes normales - tipo A**

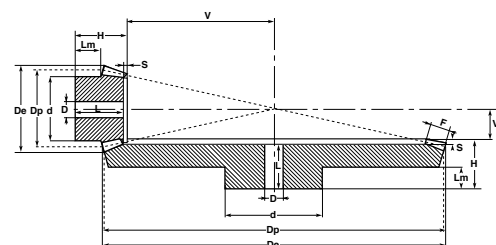


Angolo di pressione 20° - Pressure angle 20° - Eingriffswinkel 20° - Angle de pression 20° - Angulo de presion 20° - UNI 6588

Materiale C 45 E - Material C 45 E - Matière C 45 E - Materiel C 45 E - UNI EN 10083-1

Rapporto - Ratio - Untersetzung - Rapport - Relaciones 1:3

M	Z	cod.	De	Dp	H	F	d	D	V	L	Lm	S
1,5	16	C27A483	26,9	24	24	12	20	10	24,30	23	11,95	1
	48		72,9	72	20	12	50	15	7,27	17	10	3
2	16	C28A483	35,8	32	28,5	15	26	12	33,26	27	12,4	1,5
	48		97,3	96	23	15	60	15	9,90	19	10	4
2,5	16	C29A483	44,7	40	32	18	32	12	42,41	30	13	2
	48		121,6	120	26	18	70	20	13,23	21	10	5
3	16	C30A483	53,7	48	32	18	40	15	54,25	30	12,1	2
	48		145,9	144	29	18	80	20	16,20	23	10	6
3,5	16	C35A483	62,6	56	38	22	48	15	62,29	35,5	15	2,5
	48		170,2	168	31	22	90	20	18,48	24	10	7
4	16	C31A483	71,6	64	41,5	25	55	20	71,23	38,5	15,2	3
	48		194,5	192	33	25	100	22	21,20	25	10	8
4,5	16	C45A483	80,6	72	53	28	60	20	80,27	50	23,4	3
	48		218,6	216	49	28	100	25	23,93	40	18	9
5	16	C32A483	89,5	80	60	35	60	20	85,61	57	22,5	3
	48		243,1	240	50	35	150	28	25,45	40	20	10



Angolo di pressione 20° - Pressure angle 20° - Eingriffswinkel 20° - Angle de pression 20° - Angulo de presion 20° - UNI 6588

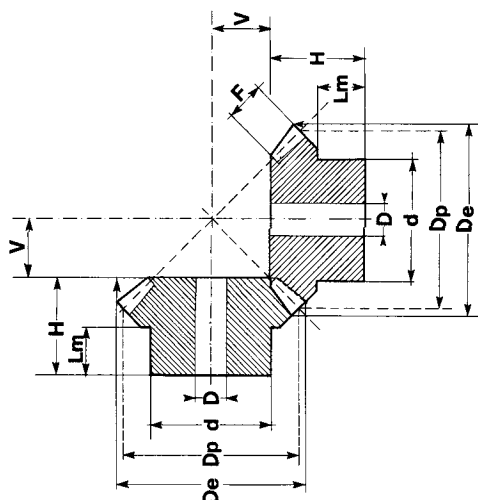
Materiale C 45 E - Material C 45 E - Matière C 45 E - Materiel C 45 E - UNI EN 10083-1

Rapporto - Ratio - Untersetzung - Rapport - Relaciones 1:4

M	Z	cod.	De	Dp	H	F	d	D	V	L	Lm	S
1,5	16	C27A644	26,9	24	25	12	18	10	36,02	24	12,2	1
	64		96,7	96	22	12	70	15	8,53	19	10	3
2	16	C28A644	35,9	32	24	15	25	12	49,07	23	8,17	1
	64		129,0	128	24	15	80	20	10,83	20	10	4
2,5	16	C29A644	44,9	40	30,5	18	30	15	61,99	26	8,2	1,5
	64		161,2	160	29	18	90	20	13,77	24	10	5
3	16	C30A644	53,8	48	34	22	40	15	74,05	32	11	2
	64		193,5	192	30	22	100	20	16,41	24	10	6
3,5	16	C35A644	62,8	56	45	25	48	15	87,13	43	19,1	2
	64		225,7	224	50	25	100	25	19,32	43	22	7
4	16	C31A644	71,7	64	50	30	50	20	98,21	48	18,5	2
	64		257,9	256	50	30	120	28	21,72	42	20	8
4,5	16	C45A644	80,7	72	53	32	55	20	112,08	50,5	19	2,5
	64		290,1	288	53	32	130	30	24,83	44	23	9
5	16	C32A644	89,7	80	58	35	60	20	125,06	55,5	20,6	2,5
	64		322,4	320	58	35	150	30	27,65	48	25	2,5



**Coppie coniche ad assi normali - tipo B - esecuzione speciale**  
**Bevel gear pairs with usual axes - type B - special execution**  
**Kegelräder mit Normalachsen - typ B - Spezialausführung**  
**Couples coniques avec essieux normaux - type B - exécution spéciale**  
**Engranajes conicos a ejes normales - tipo B - ejecución especial**



Angolo di pressione 20° - Pressure angle 20° - Eingriffswinkel 20° - Angle de pression 20° - Angulo de presión 20° - UNI 6588

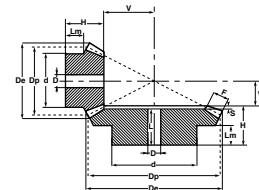
Materiale C 45 E - Material C 45 E - Matière C 45 E - Materiel C 45 E - UNI EN 10083-1

Rapporto - Ratio - Untersetzung - Rapport - Relaciones 1:1

M	Z	cod.	De	Dp	H	F	d	D	V	Lm
1	16	C26B161	17,4	16,0	11,2	4	13,3	4	4,80	6,5
	19	C26B191	20,4	19,0	11,8	4	15,3	4	6,20	6,5
	22	C26B221	23,4	22,0	12,8	4,7	16,3	5	7,20	6,5
	26	C26B261	27,4	26,0	13,3	5,5	20,3	5	8,70	7
	30	C26B301	31,4	30,0	16	6,4	20,3	5	10,00	8
1,5	16	C27B161	26,1	24,0	18,9	6	20,3	8	7,10	12
	19	C27B191	30,6	28,5	21,3	7	20,3	8	8,70	12
	22	C27B221	35,1	33,0	22,5	7,5	25,3	8	10,50	12
	26	C27B261	41,1	39,0	23,2	8,5	28,3	8	12,80	12
	30	C27B301	47,1	45,0	27,2	10	30,3	12	14,80	12
2	16	C28B161	34,8	32,0	23,5	8	25,3	8	9,50	14
	19	C28B191	40,8	38,0	24,2	9	25,3	8	11,80	12
	22	C28B221	46,8	44,0	27,9	10	30,3	12	14,10	14
	26	C28B261	54,8	52,0	31,4	12	35,3	12	16,60	14
	30	C28B301	62,8	60,0	34,1	13	40,3	14	19,90	17
2,5	16	C29B161	43,5	40,0	28,1	10	30,3	12	11,90	15
	19	C29B191	51,0	47,5	27,1	11	35,3	12	14,90	13
	22	C29B221	58,5	55,0	30,1	12	45,3	16	17,90	16
	26	C29B261	68,5	65,0	33,2	15	45,3	16	20,80	16
	30	C29B301	78,5	75,0	39	16	50,3	16	25,00	20
3	16	C30B161	52,5	48,0	31,7	12	40,3	12	14,30	18
	19	C30B191	61,2	57,0	36	13	40,3	14	18,00	17
	22	C30B221	70,2	66,0	36,9	15	50,3	16	21,10	17
	26	C30B261	82,2	78,0	38,4	17	50,3	16	25,60	18
	30	C30B301	94,2	90,0	43,8	19	60,3	20	30,20	22
3,5	16	C35B161	60,9	56,0	36,4	14	45,3	16	16,60	20
	19	C35B191	71,5	66,5	37,8	15	50,3	18	21,00	19
	22	C35B221	81,9	77,0	39,1	17	55,3	20	24,90	18
	26	C35B261	96,0	91,0	43,35	20	62,3	20	29,70	20
	30	C35B301	110,0	105,0	47,1	23	70,3	20	34,90	22
4	16	C31B161	69,7	64,0	44,3	15	50,3	16	19,70	25
	19	C31B191	81,7	76,0	44,4	18	55,3	20	23,60	22
	22	C31B221	93,7	88,0	45,9	20	60,3	20	28,10	22
	26	C31B261	109,7	104,0	48	25	70,3	20	34,00	22
	30	C31B301	125,7	120,0	54,2	26	80,3	25	39,80	25
4,5	16	C45B161	78,4	72,0	46,3	17,5	55,3	20	21,70	25
	19	C45B191	91,8	85,5	49	20	62,3	20	26,57	25
	22	C45B221	105,3	99,0	50,1	22	70,3	20	31,90	25
	26	C45B261	123,0	117,0	54,7	25	75,3	20	38,60	26
	30	C45B301	141,4	135,0	60	29	80,3	25	45,00	28
5	16	C32B161	87,1	80,0	48,9	18	60,3	20	25,10	25
	19	C32B191	102,1	95,0	52,2	22	60,3	20	29,80	25
	22	C32B221	117,1	110,0	58,2	24	80,3	25	35,80	30
	26	C32B261	137,1	130,0	62,7	29	80,3	25	42,30	30
	30	C32B301	157,1	150,0	68,9	32	80,3	30	50,10	35



**Coppie coniche ad assi normali - tipo B - esecuzione speciale**  
**Bevel gear pairs with usual axes - type B - special execution**  
**Kegelräder mit Normalachsen - typ B - Spezialausführung**  
**Couples coniques avec essieux normaux - type B - exécution spéciale**  
**Engranajes conicos a ejes normales - tipo B - ejecución especial**

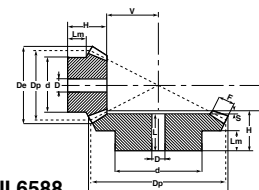


**Angolo di pressione 20° - Pressure angle 20° - Eingriffswinkel 20° - Angle de pression 20° - Angulo de presion 20° - UNI 6588**

**Materiale C 45 E - Material C 45 E - Matière C 45 E - Materiel C 45 E - UNI EN 10083-1**

**Rapporto - Ratio - Untersetzung - Rapport - Relaciones 1:1,5**

M	Z	cod.	De	Dp	H	F	d	D	V	L	Lm	S
1	16	C26B240	18,1	16	12	4,3	13,3	4	8,0	13,3	7	1,5
	24		24,8	24	14,8	4,3	20,3	5	5,2		9,3	
1,5	16	C27B240	27,1	24	20,3	8	20,3	8	10,7	22,7	11,8	2,2
	24		37,2	36	24,9	8	28,3	8	7,1		16	
2	16	C28B240	36,2	32	25,2	10	25,3	8	14,8	24,7	13,8	2,5
	24		49,7	48	27,2	10	32,3	8	9,8		16	
2,5	16	C29B240	45,2	40	30,8	13	32,3	12	18,2	30,8	16,4	3,2
	24		62,1	60	34	13	45,3	16	12,0		20	
3	16	C30B240	54,3	48	32,4	14,5	40,3	12	22,6	32	16,4	4,2
	24		74,5	72	36,2	14,5	55,3	16	14,8		20	
3,5	16	C35B240	63,3	56	40,4	18	45,3	16	25,6	40	20,4	4,2
	24		86,9	84	44,2	18	55,3	20	16,8		25	
4	16	C31B240	72,4	64	46,8	18	50,3	16	31,2	40	25,4	5,5
	24		99,3	96	45,5	18	60,3	20	20,5		25	
4,5	16	C45B240	81,4	72	47,6	20	60,3	20	35,4	51,3	25,1	6,5
	24		111,7	108	57,8	20	80,3	25	23,2		35	
5	16	C32B240	90,5	80	54,1	24	60,3	25	37,9	54,5	25,4	6,6
	24		124,1	120	61,1	24	80,3	30	24,9		35	



**Angolo di pressione 20° - Pressure angle 20° - Eingriffswinkel 20° - Angle de pression 20° - Angulo de presion 20° - UNI 6588**

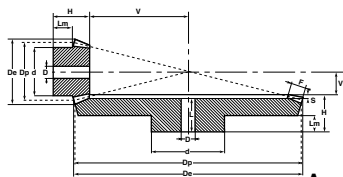
**Materiale C 45 E - Material C 45 E - Matière C 45 E - Materiel C 45 E - UNI EN 10083-1**

**Rapporto - Ratio - Untersetzung - Rapport - Relaciones 1:2**

M	Z	cod.	De	Dp	H	F	d	D	V	L	Lm	S
1	15	C26B300	17,4	15,0	11,9	5	13,3	4	10,1	13,7	6,5	1,4
	30		30,6	30,0	15,1	5	20,3	5	4,9		9	
1,5	15	C27B300	26,1	22,5	21,1	9	19,3	8	13,9	23	11,9	2,2
	30		45,9	45,0	25,2	9	32,3	8	6,8		16	
2	15	C28B300	34,8	30,0	26	11,5	25,3	8	19,0	26,8	14,1	3
	30		61,2	60,0	29,8	11,5	40,3	14	9,2		18	
2,5	15	C29B300	43,5	37,5	31,8	15	32,3	12	23,2	30	16,2	3,7
	30		76,5	75,0	33,7	15	45,3	16	11,3		20	
3	15	C30B300	52,2	45,0	37,3	17	40,3	12	28,7	38	19,9	4,1
	30		91,8	90,0	42,1	17	55,3	16	13,9		25	
3,5	15	C35B300	60,9	52,5	46,1	20,5	45,3	16	32,9	40	24,7	5
	30		107,1	105,0	45	20,5	60,3	20	16,0		25	
4	15	C31B300	69,6	60,0	48,6	22,5	50,3	20	38,4	51,9	24,6	5,4
	30		122,3	120,0	57,3	22,5	80,3	25	18,7		35	
4,5	15	C45B300	78,3	67,5	51,4	26	60,3	20	42,6	54,3	24,7	6
	30		137,6	135,0	60,3	26	80,3	30	20,7		35	
5	15	C32B300	87,0	75,0	57,6	30	60,3	25	46,4	56	25,3	6,5
	30		152,9	150,0	62,5	30	80,3	30	22,5		35	



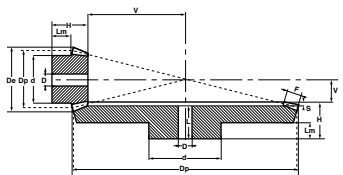
**Coppie coniche ad assi normali - tipo B - esecuzione speciale**  
**Bevel gear pairs with usual axes - type B - special execution**  
**Kegelräder mit Normalachsen - typ B - Spezialausführung**  
**Couples coniques avec essieux normaux - type B - exécution spéciale**  
**Engranajes conicos a ejes normales - tipo B - ejecución especial**



Angolo di pressione 20° - Pressure angle 20° - Eingriffswinkel 20° - Angle de pression 20° - Angulo de presión 20° - UNI 6588

Materiale C 45 E - Material C 45 E - Matière C 45 E - Materiel C 45 E - UNI EN 10083-1 Rapporto - Ratio - Untersetzung - Rapport - Relaciones 1:2,5

M	Z	cod.	De	Dp	H	F	d	D	V	L	Lm	S
1	16	C26B400	18,6	16	14,4	6,5	13,3	4	13,6	13	7,4	1,8
	40		40,4	40	14,8	6,5	25,3	8	5,2		9	
1,5	16	C27B400	27,9	24	24,2	11,5	20,3	8	18,8	25,5	12,3	2,3
	40		60,7	60	27,8	11,5	40,3	14	7,2		18	
2	16	C28B400	37,2	32	29,6	15	25,3	8	25,4	29	13,7	3,4
	40		80,9	80	32,4	15	45,3	16	9,6		20	
2,5	16	C29B400	46,4	40	38,4	19	32,3	12	31,6	35,9	18,5	3,9
	40		101,1	100	39,8	19	55,3	16	12,2		25	
3	16	C30B400	55,7	48	41,9	21,5	40,3	16	39,1	44	19,6	3,9
	40		121,4	120	47,9	21,5	60,3	20	15,1		30	
3,5	16	C35B400	65,0	56	49,1	22,6	45,3	20	47,9	50	25	4,6
	40		141,6	140	54,6	22,6	80,3	25	18,4		35	
4	16	C31B400	74,3	64	52,5	26	55,3	20	54,5	50,5	25,3	6,5
	40		161,8	160	57	26	80,3	30	21,0		35	
4,5	16	C45B400	83,6	72	56,3	30	60,3	25	60,7	53	24,6	6,7
	40		182,1	180	59,7	30	80,3	30	23,3		35	
5	16	C32B400	92,9	80	65,4	32	60,3	25	68,6	58,3	30,1	7,4
	40		202,3	200	65,7	32	90,3	30	26,3		40	



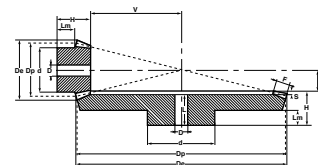
Angolo di pressione 20° - Pressure angle 20° - Eingriffswinkel 20° - Angle de pression 20° - Angulo de presión 20° - UNI 6588

Materiale C 45 E - Material C 45 E - Matière C 45 E - Materiel C 45 E - UNI EN 10083-1 Rapporto - Ratio - Untersetzung - Rapport - Relaciones 1:3

M	Z	cod.	De	Dp	H	F	d	D	V	L	Lm	S
1	15	C26B450	17,7	15	16,6	7,1	13,3	4	15,4	15,2	9,2	1,9
	45		45,3	45	17,1	7,1	25,3	8	4,9		10	
1,5	15	C27B450	26,5	22,5	22,6	10,5	19,3	8	23,4	34,6	11,7	2,4
	45		68,1	67,5	29,6	10,5	45,3	14	7,4		20	
2	15	C28B450	35,4	30	28,9	14	25,3	8	31,1	28,4	14,2	3,7
	45		90,8	90	32,1	14	45,3	16	9,9		20	
2,5	15	C29B450	44,1	37,5	34,6	18	32,3	12	38,4	35,3	15,9	4,4
	45		113,4	112,5	39,7	18	60,3	20	12,3		25	
3	15	C30B450	53,0	45	41,3	21	40,3	16	46,7	42	19,7	5,2
	45		136,1	135	47,2	21	60,3	25	14,8		30	
3,5	15	C35B450	61,9	52,5	49,6	23,5	45,3	20	55,4	48,6	25	5,8
	45		158,8	157,5	54,4	23,5	80,3	25	17,6		35	
4	15	C31B450	70,7	60	54,3	27,5	50,3	20	62,7	50,5	25,4	6,5
	45		181,5	180	57	27,5	80,3	30	20,0		35	
4,5	15	C45B450	79,5	67,5	55,2	28,5	55,3	25	72,8	57	24,8	6,9
	45		204,2	202,5	63,9	28,5	90,3	30	23,1		40	
5	15	C32B450	88,4	75	65,3	33	60,3	25	79,7	59,2	30	7,5
	45		226,9	225	66,7	33	90,3	30	25,3		40	



**Coppie coniche ad assi normali - tipo B - esecuzione speciale**  
**Bevel gear pairs with usual axes - type B - special execution**  
**Kegelräder mit Normalachsen - typ B - Spezialausführung**  
**Couples coniques avec essieux normaux - type B - exécution spéciale**  
**Engranajes conicos a ejes normales - tipo B - ejecución especial**

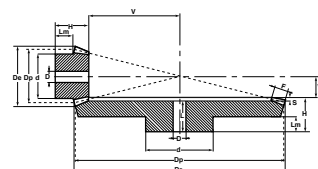


**Angolo di pressione 20° - Pressure angle 20° - Eingriffswinkel 20° - Angle de pression 20° - Angulo de presión 20° - UNI 6588**

**Materiale C 45 E - Material C 45 E - Matière C 45 E - Materiel C 45 E - UNI EN 10083-1**

**Rapporto - Ratio - Untersetzung - Rapport - Relaciones 1:3,5**

M	Z	cod.	D <sub>e</sub>	D <sub>p</sub>	H	F	d	D	V	L	Lm	S
1	16	C26B560	18,7	16	16,6	8,7	13,3	4	19,4	14,2	7,6	2,5
	56		56,3	56	16,7	8,7	30,3	8	5,3		10	
1,5	16	C27B560	28,1	24	24	12	20,3	8	30,0	32	11,5	2,8
	56		84,5	84	34,8	12	45,3	14	8,2		25	
2	16	C28B560	37,5	32	30,9	16	25,3	8	40,1	33,3	14,1	3,8
	56		112,6	12	37,1	16	55,3	16	10,9		25	
2,5	16	C29B560	46,8	40	38,9	20	32,3	14	50,1	40	17,9	4,4
	56		140,8	140	44,4	20	60,3	20	13,6		30	
3	16	C30B560	56,2	48	49,9	24	40,3	16	60,1	47,5	24,9	5,2
	56		169,0	168	52,7	24	80,3	25	16,3		35	
3,5	16	C35B560	65,6	56	52	25	25,5	20	73,0	49,1	25,5	6
	56		197,1	196	55,1	25	80,3	25	19,9		35	



**Angolo di pressione 20° - Pressure angle 20° - Eingriffswinkel 20° - Angle de pression 20° - Angulo de presión 20° - UNI 6588**

**Materiale C 45 E - Material C 45 E - Matière C 45 E - Materiel C 45 E - UNI EN 10083-1**

**Rapporto - Ratio - Untersetzung - Rapport - Relaciones 1:4**

M	Z	cod.	D <sub>e</sub>	D <sub>p</sub>	H	F	d	D	V	L	Lm	S
1	15	C26B600	17,80	15,0	17,2	9,3	13,3	4	20,8	15,2	7,7	1,9
	60		60,30	60,0	17,1	9,3	30,3	8	4,9		10	
1,5	15	C27B600	26,70	22,5	23	11	20,3	8	34,0	31,2	11,7	2,8
	60		90,40	90,0	34	11	50,3	16	8,0		25	
2	15	C28B600	35,60	30,0	31	16	25,3	8	44,0	24,2	14,4	3,4
	60		120,60	120,0	37,6	16	60,3	16	10,4		25	
2,5	15	C29B600	44,50	37,5	38,1	19	32,3	14	55,9	40	18,4	4,8
	60		150,70	150,0	44,8	19	60,3	20	13,2		30	
3	15	C30B600	53,30	45,0	48,1	23	40,3	16	66,9	48,2	24,5	5
	60		180,80	180,0	53,2	23	80,3	25	15,8		35	
3,5	15	C35B600	62,20	52,5	52,1	26	45,3	20	78,9	54,4	25,1	6
	60		211,00	210,0	60,4	26	90,3	30	18,6		40	
4	15	C31B600	71,10	60,0	55,1	30	50,3	20	89,9	53	23	7,8
	60		241,10	240,0	60,8	30	90,3	30	21,2		40	
4,5	15	C45B600	79,97	67,5	57	32	52,3	20	102,9	53,5	23	8,5
	60		271,24	270,0	62	32	90,3	30	24,3		40	
5	15	C32B600	88,80	75,0	62	34	55,3	20	115,7	55	25	10
	60		301,30	300,0	65	34	90,3	30	27,0		40	