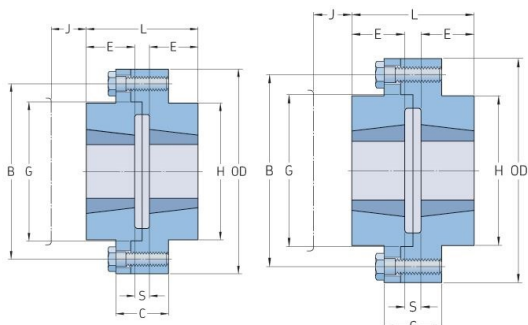


# PHE R50FTB



Size	R50
Bushing no.	5040
Max. bore (mm)	125
D (mm)	362
C (mm)	92
E (mm)	102
H (mm)	266
G Nominal (mm)	267
B Nominal (mm)	314
S+ (mm)	7
J* (mm)	92
L (mm)	211
Weight (kg)	135