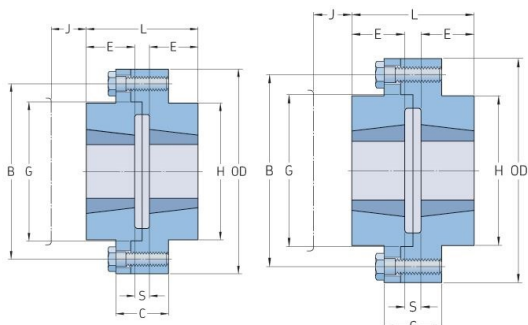


PHE R40FTB



Size	R40
Bushing no.	4030
Max. bore (mm)	110
D (mm)	298
C (mm)	76
E (mm)	76
H (mm)	210
G Nominal (mm)	216
B Nominal (mm)	257
S+ (mm)	7
J* (mm)	79
L (mm)	159
Weight (kg)	59