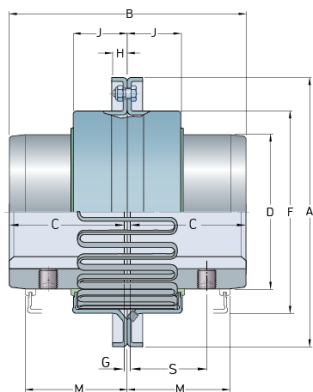


# PHE 1080TGVCOVER



Size	1080
Nominal torque (Nm)	2050
Max speed (r/min)	4750
Min. bore (mm)	27
Max. bore (mm)	79
Weight (kg)	1.5