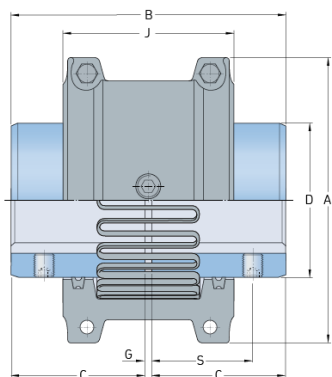


# PHE 1080TGHCOVER



|                     |      |
|---------------------|------|
| Size                | 1080 |
| Nominal torque (Nm) | 2050 |
| Max speed (r/min)   | 3600 |
| Min. bore (mm)      | 27   |
| Max. bore (mm)      | 79   |
| Weight (kg)         | 2.3  |