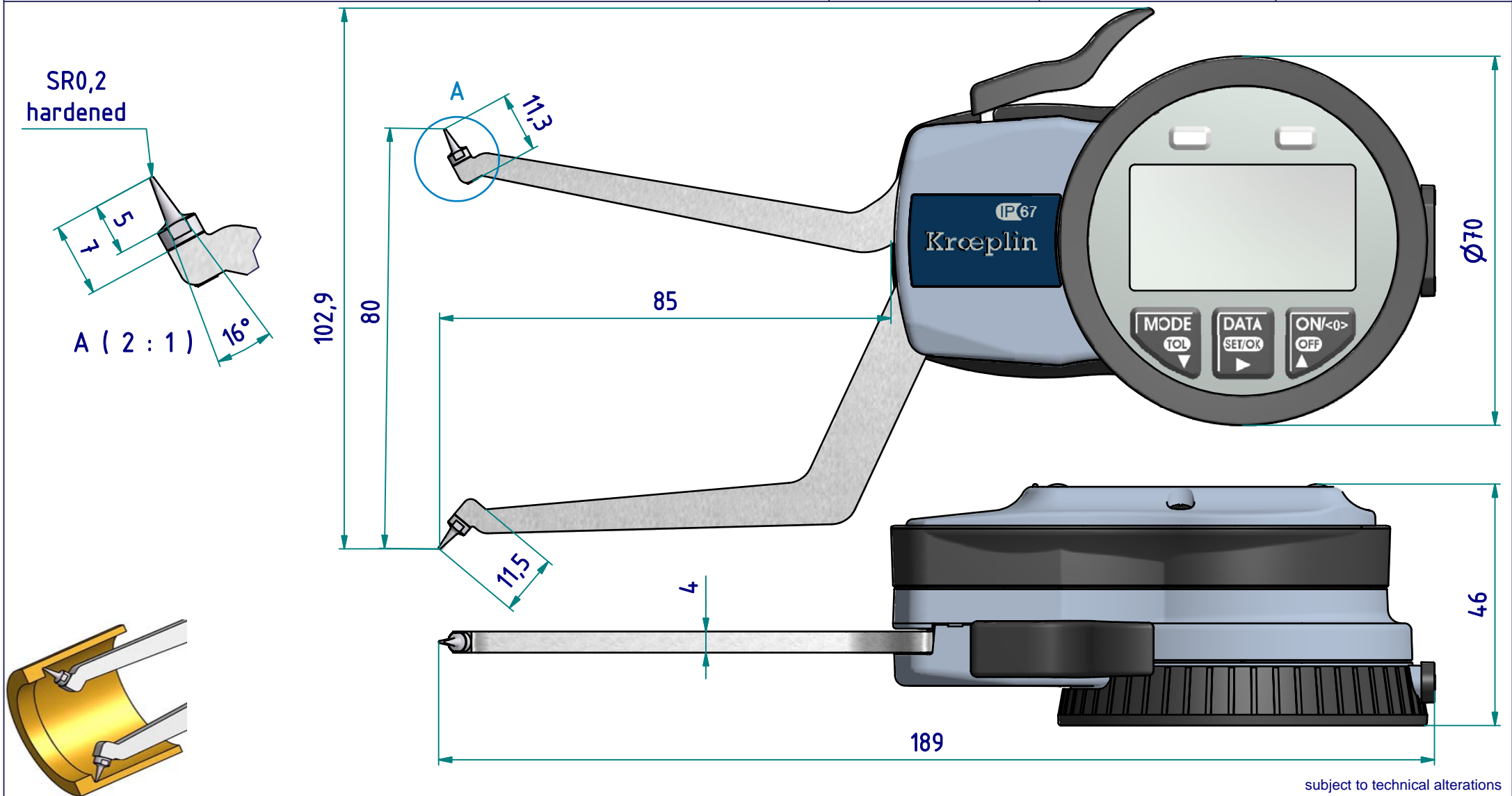


# data sheet: G2G60

Kroepelin GmbH  
Gartenstraße 50  
D-36381 Schlüchtern

Tel.: 06661 86 0  
Fax: 06661 86 39  
Mail: sales@kroepelin.com  
Web: www.kroepelin.com

**Kroepelin**  
Längenmesstechnik



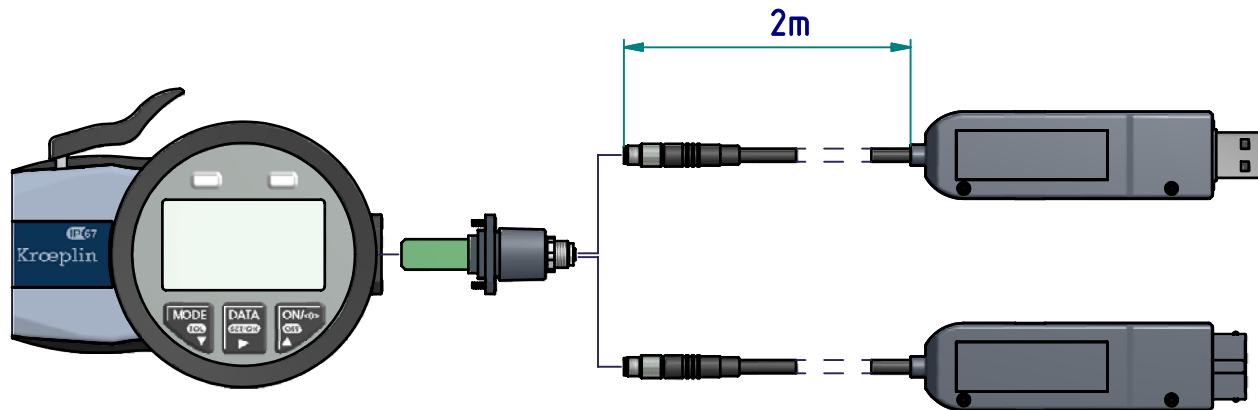
subject to technical alterations

type:	<b>G</b>
range:	60 - 80 mm
range of indication:	59,5 - 80,5 mm
digital step:	0,01 mm
scale interval:	-
measuring force:	1,1 - 1,6 N
weight:	270 g

acceptable deviations VDI/VDE/DGQ 2618 Bl. 12.1/13.1)	
max. permissible errors "G": 0,03 mm	
repeatability "r": 0,01 mm	
reference temperature: 20° C	
operation temperature: 10° C - 30° C	
storage temperature: -10° C - 50° C	

scale:	1:1
drawing-nr.:	DAB-G2G60_KR_e
date of issue:	07.01.09
name:	M. Balzer
revision status:	
revision date:	

interface as accessories available:



order number: **1962-11**  
Interface USB

order number: **1962-10**  
Interface Mitutoyo - Digimatic

subject to technical alterations

drawing-nr.:	DAB-G2G60_KR_e
date of issue:	07.01.09
name:	M. Balzer
revision status:	
revision date:	