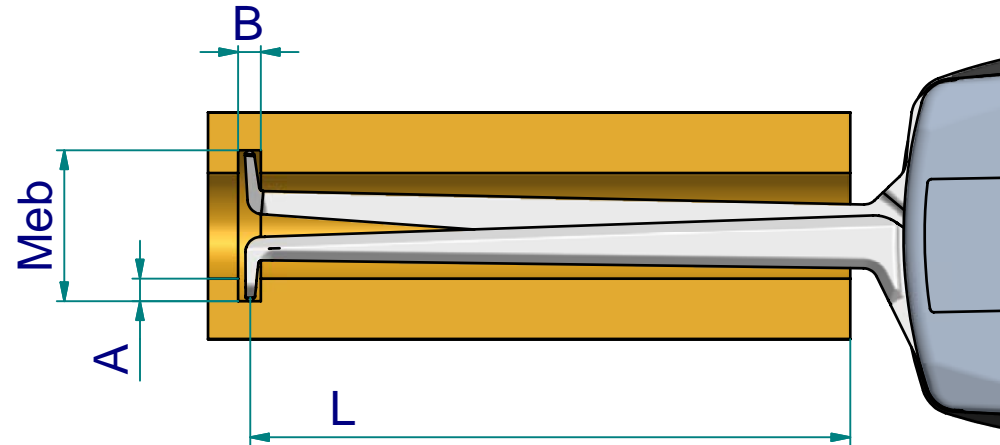


subject to technical alterations

type: **G**
range: 10 - 30 mm
range of indication: 9,5 - 30,5 mm
digital step: 0,01 mm
scale interval: -
measuring force: 1,1 - 1,6 N
weight: 250 g

acceptable deviations
VDI/VDE/DGQ 2618 Bl. 12.1/13.1)
max. permissible
errors "G": 0,03 mm
repeatability "r": 0,01 mm
reference temperature: 20° C
operation temperature: 10° C - 30° C
storage temperature: -10° C - 50° C

scale: 1:1
drawing-nr.: DAB-G210_KR_e
date of issue: 08.01.09
name: M. Balzer
revision status:
revision date:



measuring capacity

| | | measuring range Meb [mm] | | | | | | | | |
|------------------------|-----|--------------------------|------------|------------|------------|------------|------------|------------|------------|------------|
| | | 10 | 12 | 14 | 16 | 18 | 20 | 22 | 25 | 30 |
| groove depth A [mm] | 0 | 0 / 82,7 | 0 / 83,5 | 0 / 83,5 | 0 / 83,7 | 0 / 83,9 | 0 / 84,2 | 0 / 84,5 | 0 / 85,0 | 0 / 85,9 |
| | 1 | | 1,7 / 82,0 | 1,5 / 83,1 | 1,5 / 83,2 | 1,5 / 83,4 | 1,5 / 83,7 | 1,5 / 84,0 | 1,5 / 84,5 | 1,5 / 85,4 |
| | 2 | | | 1,9 / 81,7 | 1,8 / 81,8 | 1,7 / 82,1 | 1,7 / 82,3 | 1,6 / 82,6 | 1,6 / 84,0 | 1,6 / 84,8 |
| | 3 | | | | 2,0 / 76,4 | 1,9 / 82,1 | 1,8 / 82,7 | 1,8 / 83,0 | 1,7 / 83,4 | 1,7 / 84,3 |
| | 4 | | | | | 2,3 / 52,1 | 2,0 / 70,8 | 1,9 / 82,0 | 1,8 / 82,9 | 1,8 / 83,8 |
| | 4,5 | | | | | | 2,6 / 42,6 | 2,2 / 71,0 | 2,0 / 82,7 | 1,9 / 83,5 |
| | 5 | | | | | | 4,0 / 14,3 | 3,3 / 23,9 | 2,9 / 82,1 | 2,3 / 83,2 |
| | | | | | | | | | | |
| | | B / L | | | | | | | | |

subject to technical alterations

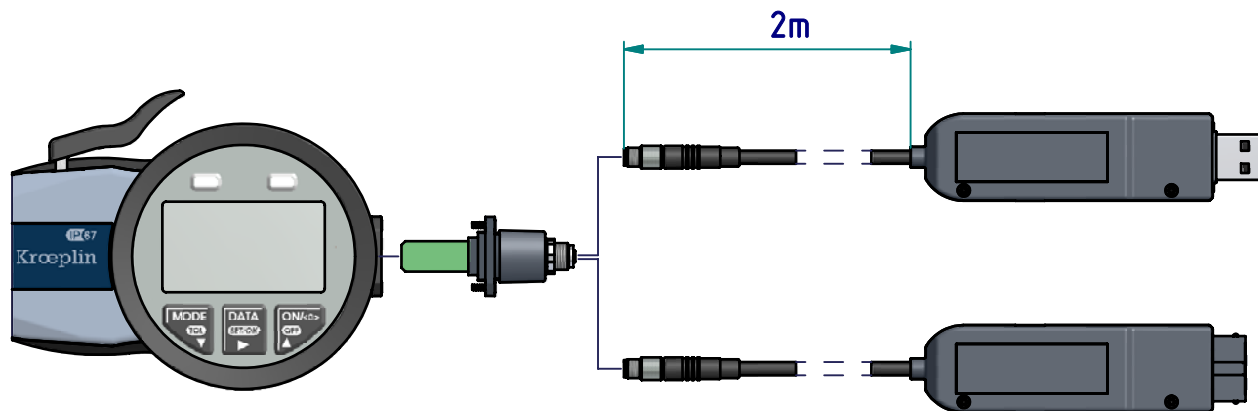
B = minimum groove width [mm]
L = maximum usable arm length [mm]

Example: Meb = 16 B = 1,8
 A = 2 L = 81,8

drawing-nr.: DAB-G210_KR_e
date of issue: 08.01.09
name: M. Balzer

revision status:
revision date:

interface as accessories available:



order number: **1962-11**
Interface USB

order number: **1962-10**
Interface Mitutoyo - Digimatic

subject to technical alterations

drawing-nr.: DAB-G210_KR_e
date of issue: 08.01.09
name: M. Balzer

revision status:
revision date: