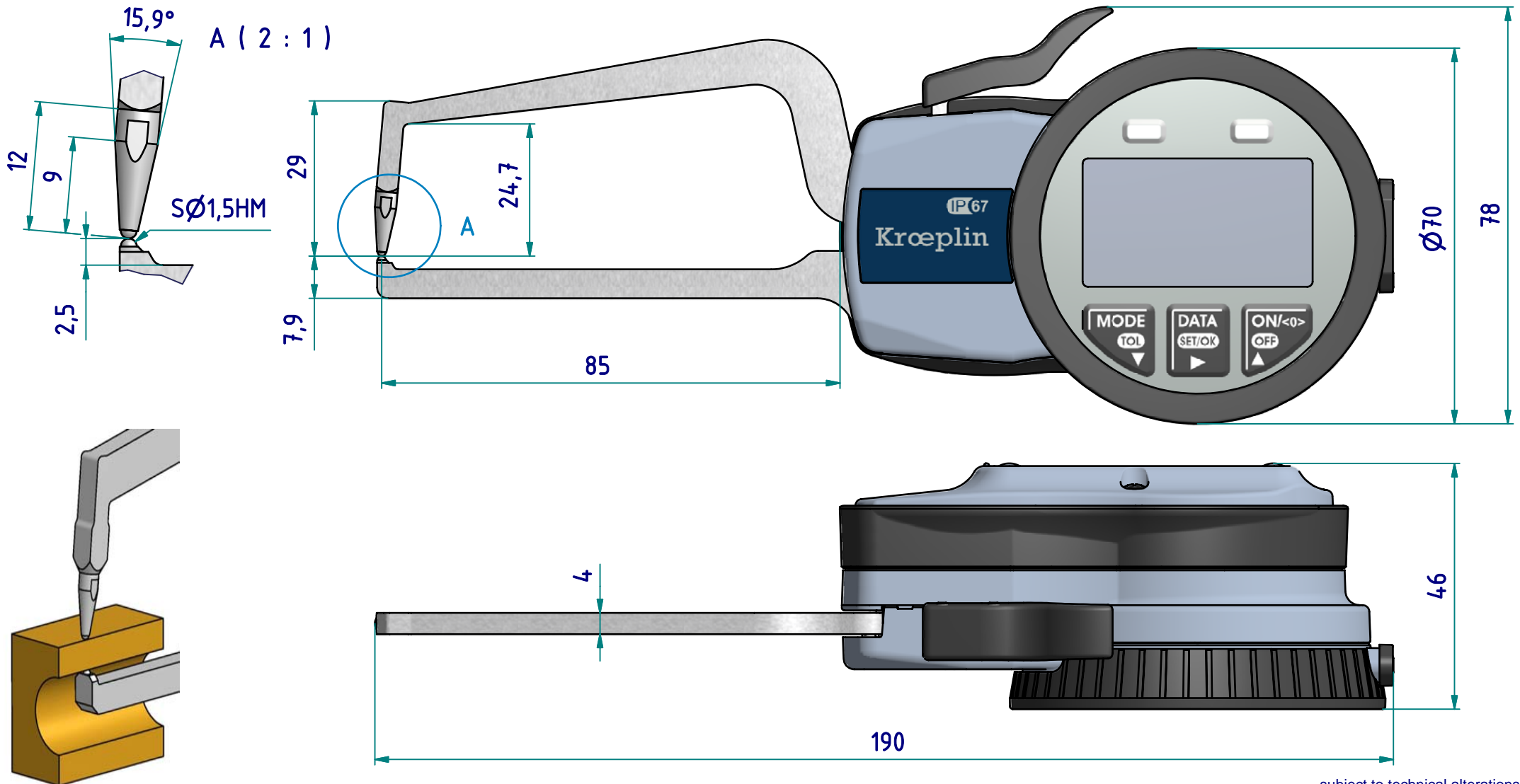


data sheet: C2R20

Kroepelin GmbH
Gartenstraße 50
D-36381 Schlüchtern

Tel.: 06661 86 0
Fax: 06661 86 39
Mail: sales@kroepelin.com
Web: www.kroepelin.com

Kroepelin
Längenmesstechnik

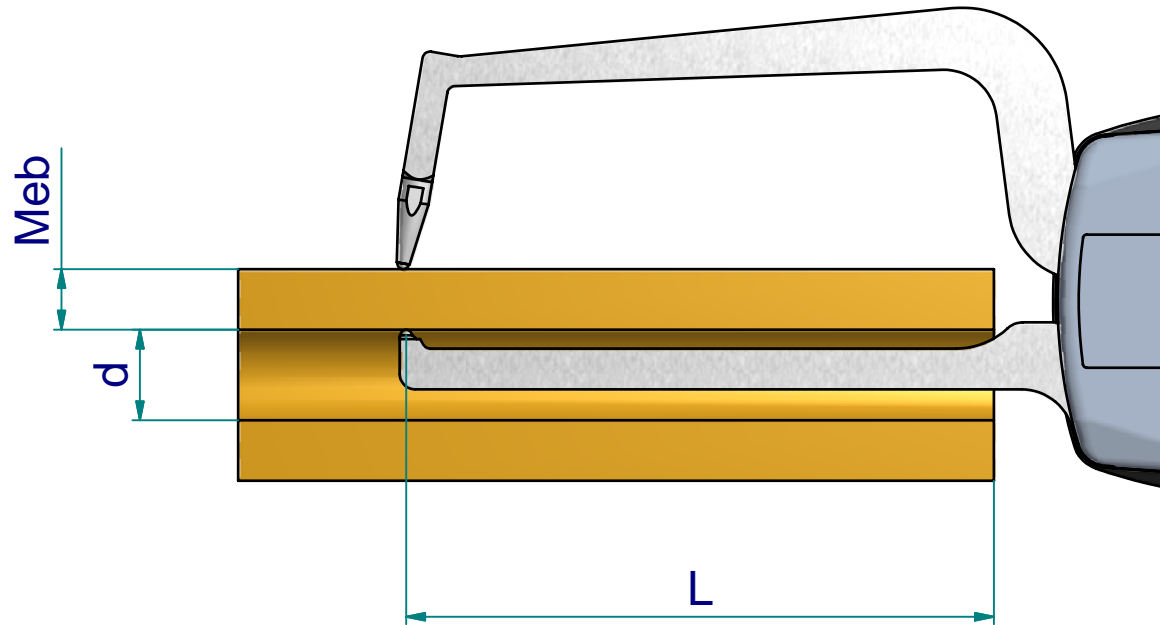


subject to technical alterations

type: C
range: 0 - 20 mm
range of indication: 0 - 20,5 mm
digital step: 0,01 mm
scale interval: -
measuring force: 1,1 - 1,6 N
weight: 270 g

acceptable deviations
 VDI/VDE/DGQ 2618 Bl. 12.1/13.1)
max. permissible errors "G": 0,03 mm
repeatability "r": 0,01 mm
reference temperature: 20° C
operation temperature: 10° C - 30° C
storage temperature: -10° C - 50° C

scale: 1:1
drawing-nr.: DAB-C2R20_KR_e
date of issue: 07.01.09
name: M. Balzer
revision status:
revision date:



measuring capacity

measuring range **Meb** [mm]

internal diameter

d [mm]

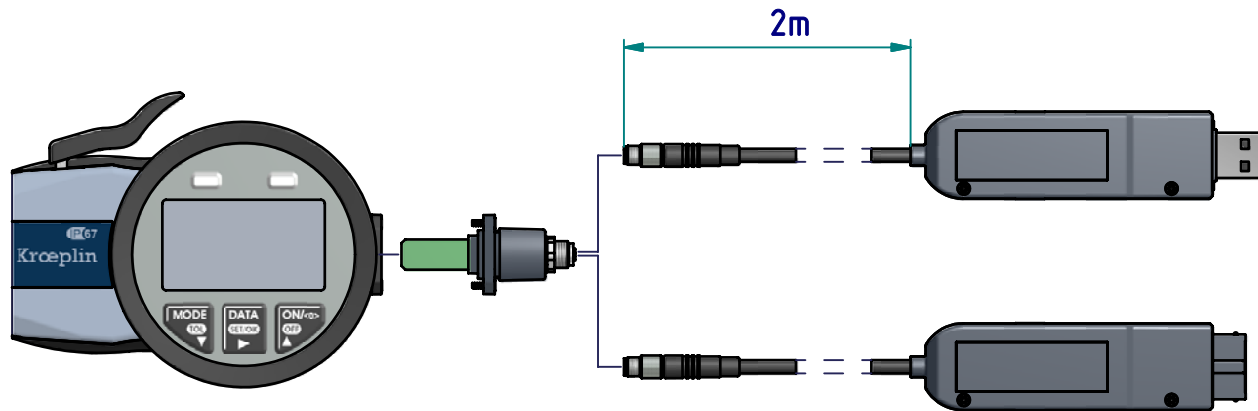
	0,5	2	4	6	8	10	12	15	18	20
9	40,9	19,4	17,4	18,5	21,1	25,6	33,5	65,7	79,2	78,2
10	82,9	41,2	37,0	39,3	44,8	54,3	70,9	80,3	79,2	78,2
11	84,9	63,1	56,6	60,0	68,5	80,8	80,5	80,3	79,2	78,2
12	85,4	82,7	76,2	80,8	81,3	80,8	80,5	80,3	79,2	78,2
13	85,4	84,6	83,4	82,1	81,3	80,8	80,5	80,3	79,2	78,2
>14	85,4	85,5	83,4	82,1	81,3	80,8	80,5	80,3	79,2	78,2
	L									

L = maximum usable arm length [mm]
 Example:
 d = 11 Meb = 4 L = 56,6

subject to technical alterations

drawing-nr.: DAB-C2R20_KR_e
date of issue: 07.01.09
name: M. Balzer
revision status:
revision date:

interface as accessories available:



order number: **1962-11**
Interface USB

order number: **1962-10**
Interface Mitutoyo - Digimatic

subject to technical alterations

drawing-nr.: DAB-C2R20_KR_e
date of issue: 07.01.09
name: M. Balzer

revision status:
revision date: