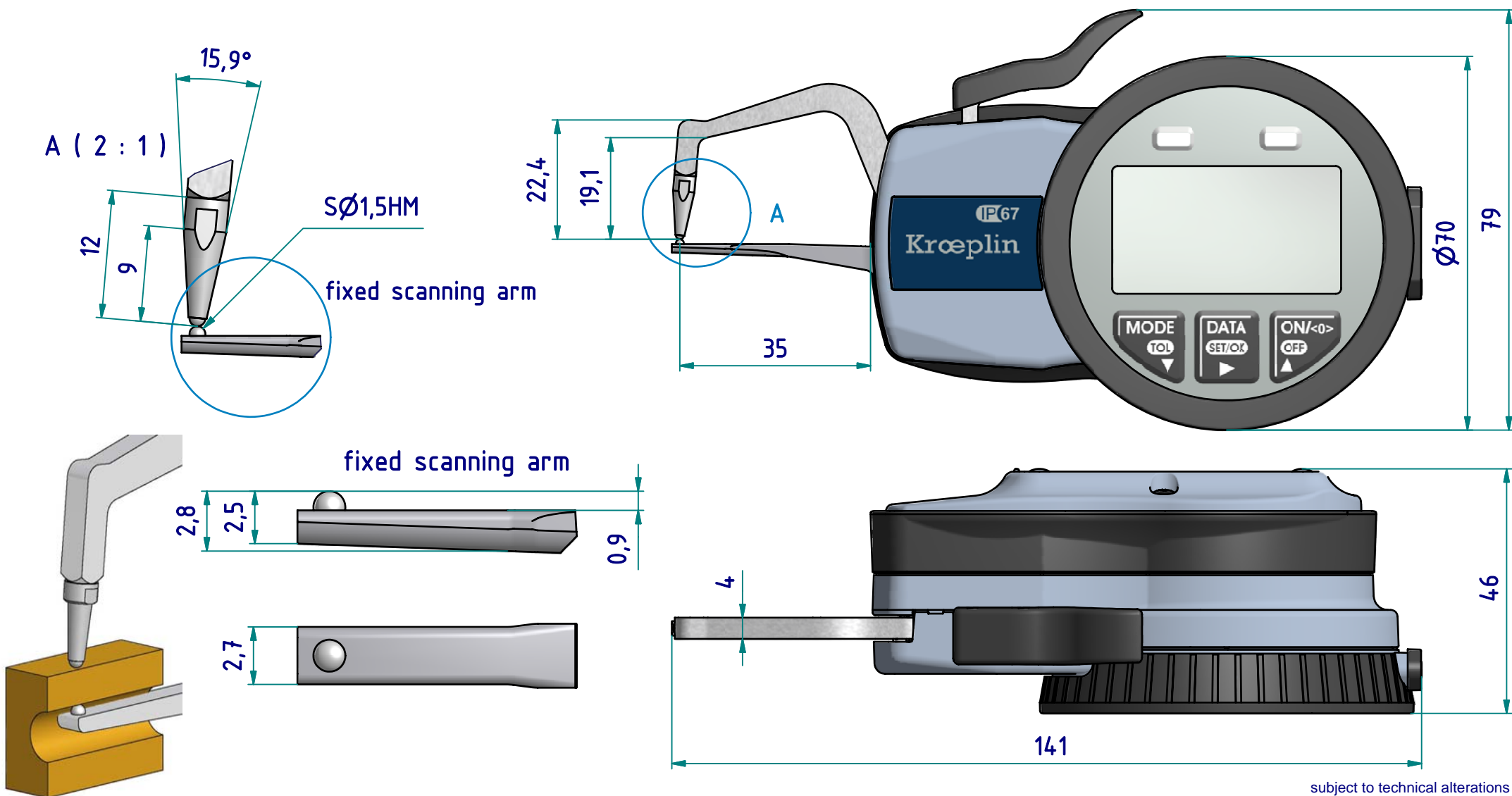


data sheet: C1R10

Kroepin GmbH
Gartenstraße 50
D-36381 Schlüchtern

Tel.: 06661 86 0
Fax: 06661 86 39
Mail: sales@kroepin.com
Web: www.kroepin.com

Kroepin
Längenmesstechnik

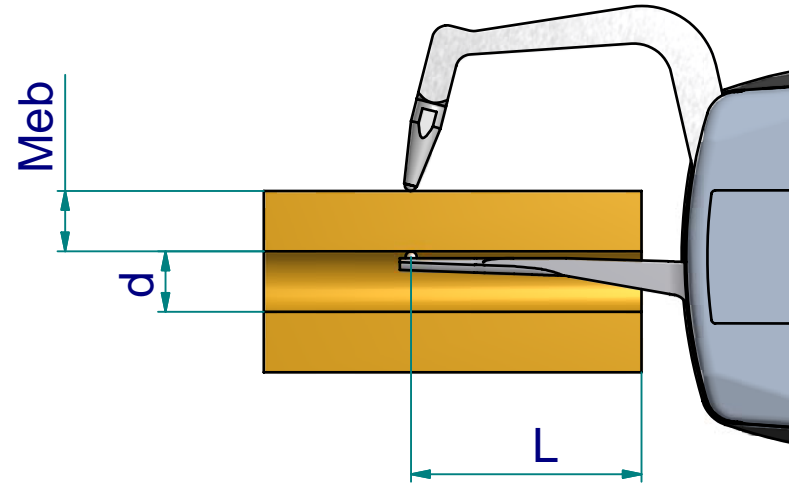


subject to technical alterations

type: C
range: 0 - 10 mm
range of indication: 0 - 10,5 mm
digital step: 0,005 mm
scale interval: -
measuring force: 0,8 - 1,2 N
weight: 235 g

acceptable deviations
VDI/VDE/DGQ 2618 Bl. 12.1/13.1)
max. permissible
errors "G": 0,015 mm
repeatability "r": 0,005 mm
reference temperature: 20° C
operation temperature: 10° C - 30° C
storage temperature: -10° C - 50° C

scale: 1:1
drawing-nr.: DAB-C1R10_KR_e
date of issue: 08.01.09
name: M. Balzer
revision status:
revision date:



measuring capacity

internal diameter d [mm]	measuring range Meb [mm]									
	1	2	3	4	5	6	7	8	9	10
3	4,1	3,6	3,6	3,8	4,2	4,7	5,4	6,4	8,0	10,7
4	19,0	17,0	17,0	17,8	19,4	20,8	21,6	22,6	23,7	24,9
5	24,7	23,8	23,8	24,2	24,9	25,7	26,8	28,0	29,3	30,9
6	29,5	28,4	28,4	28,9	29,7	30,7	31,9	33,4	35,0	35,6
7	34,2	32,9	32,9	33,5	34,5	35,6	35,6	35,6	35,6	35,6
8	35,6	35,5	35,5	35,6	35,6	35,6	35,6	35,6	35,6	35,6
9	35,6	35,6	35,6	35,6	35,6	35,6	35,6	35,6	35,6	35,6
> 10	35,6	35,6	35,6	35,6	35,6	35,6	35,6	35,6	35,6	35,6
	L									

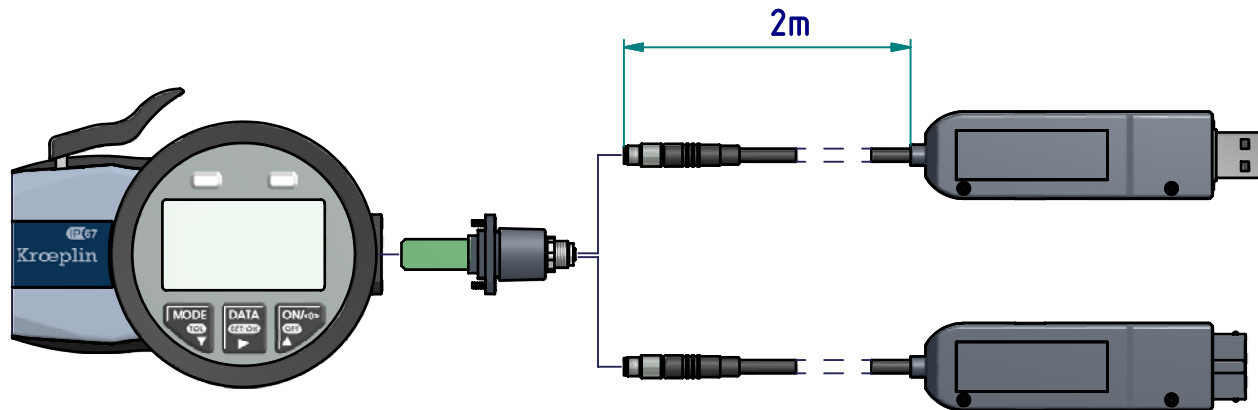
L = maximum usable arm length
[mm]

Example:
d = 5 Meb = 4 L = 24,2

subject to technical alterations

drawing-nr.:	DAB-C1R10_KR_e
date of issue:	08.01.09
name:	M. Balzer
revision status:	
revision date:	

interface as accessories available:



order number: **1962-11**
Interface USB

order number: **1962-10**
Interface Mitutoyo - Digimatic

subject to technical alterations

drawing-nr.:	DAB-C1R10_KR_e
date of issue:	08.01.09
name:	M. Balzer
revision status:	
revision date:	