

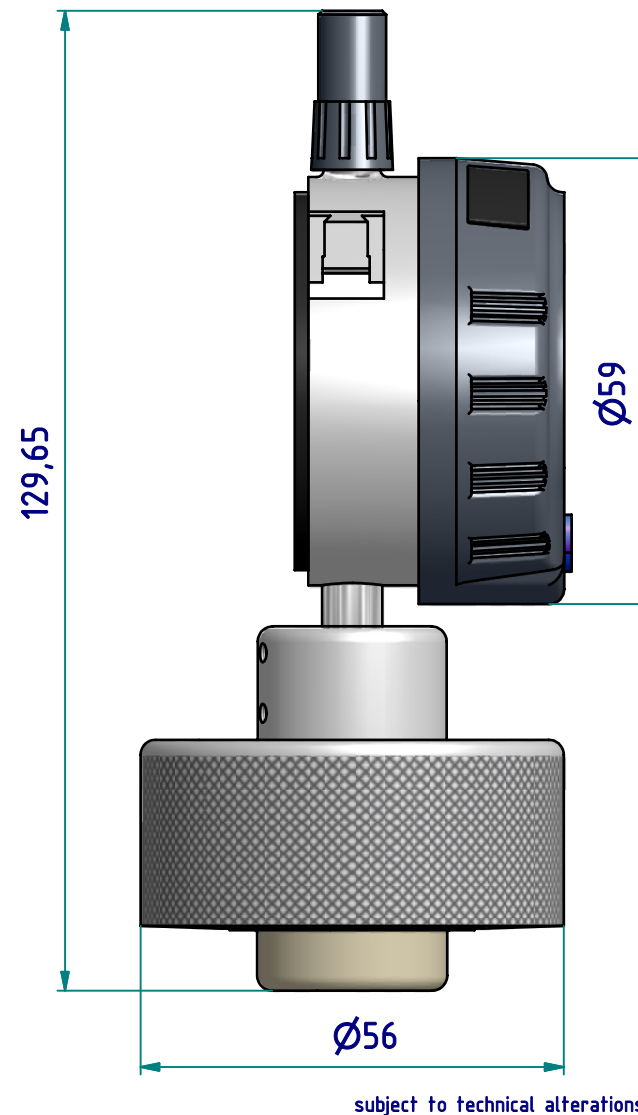
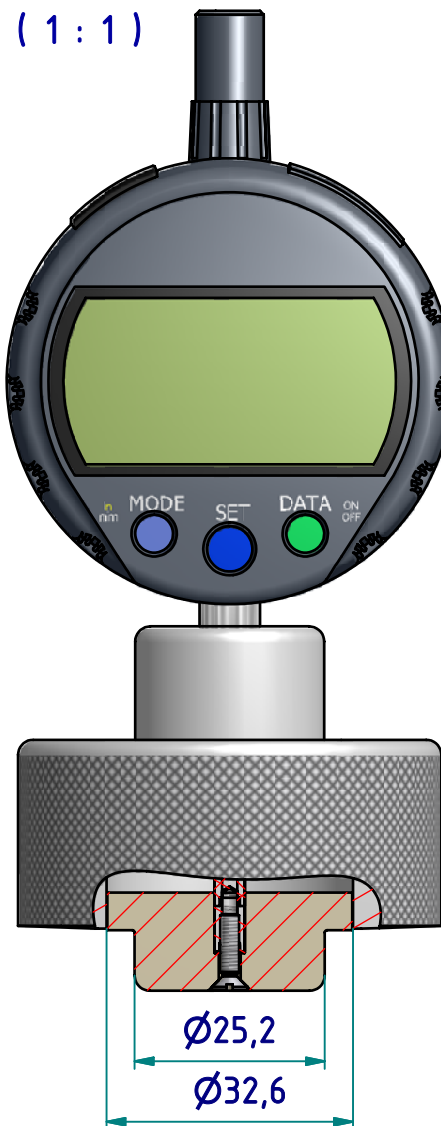
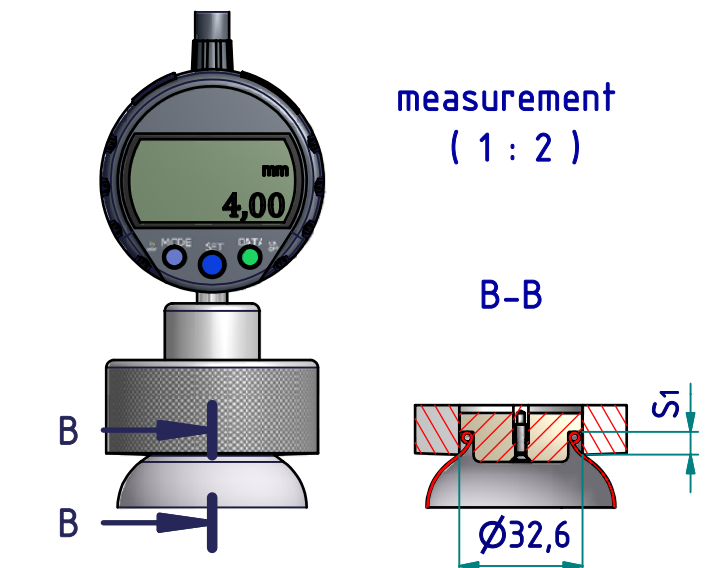
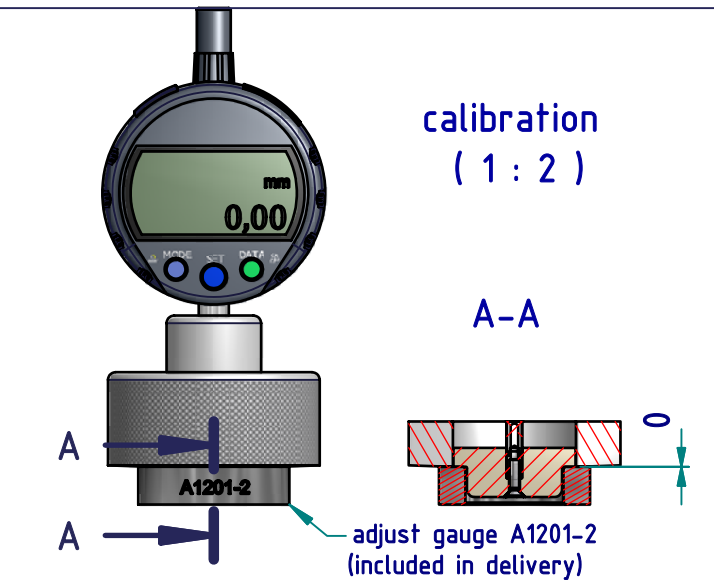
# data sheet: AE1201

measurement at the shoulder height S1  
 DIN EN 14847  
 DIN EN 15006

Kroeplin GmbH  
 Gartenstraße 50  
 D-36381 Schlüchtern

Tel.: 06661 86 0  
 Fax: 06661 86 39  
 Mail: sales@kroeplin.com  
 Web: www.kroeplin.com

**Kroeplin**  
 Längenmesstechnik



subject to technical alterations

type: aerosol  
 range: 0-10 mm  
 range of indication:  
 digital step: 0,01 mm  
 scale interval:  
 measuring force: 1+/- 0,3 N  
 weight: ca. 420 g

acceptable deviations  
 VDI/VDE/DGQ 2618 Bl. 12.1/13.1)  
 max. permissible  
 errors "G": 0,02 mm  
 repeatability "r": 0,01 mm  
 reference temperature: 20° C  
 operation temperature: 10° C - 30° C  
 storage temperature: -10° C - 50° C

scale: 1:1 (1:2)  
 drawing-nr.: IDW-AE1201\_DB\_e  
 date of issue: 25.11.2010  
 name: J.Heuser  
 revision status:  
 revision date: