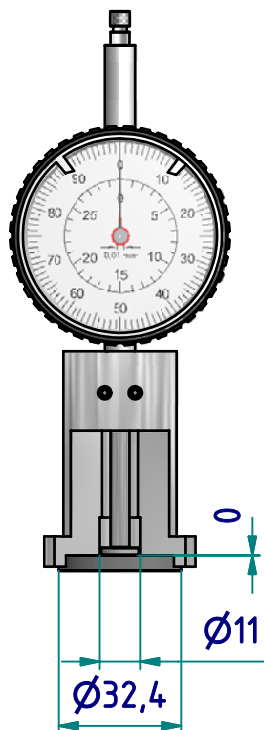
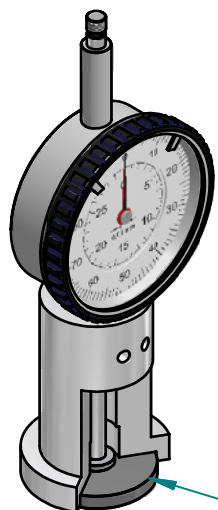
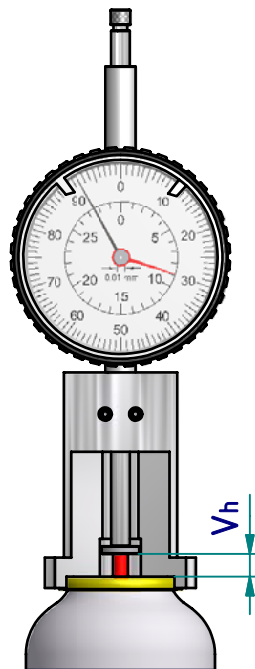


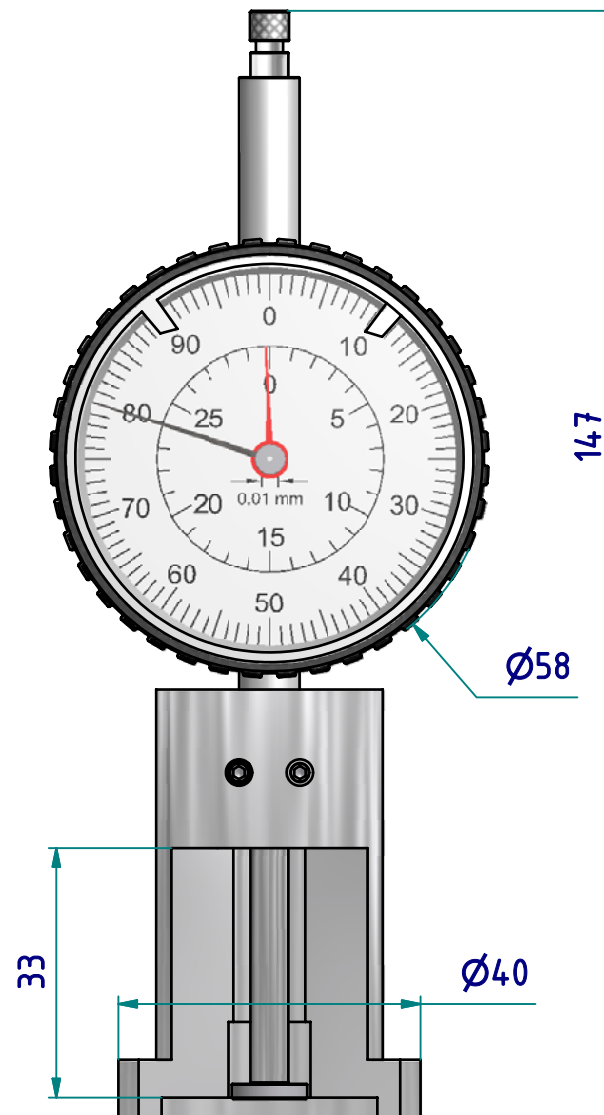
calibration
(1 : 2)



measurement
(1 : 2)



adjust gauge 0641-08



subject to technical alterations

type: Aerosol
range: 0 - 30 mm
range of indication:
digital step:
scale interval: 0,01 mm
measuring force: 1 +/-0,3 N
weight: ca. 350 g

acceptable deviations
VDI/VDE/DGQ 2618 Bl. 12.1/13.1)
max. permissible errors "G": 0,03 mm
repeatability "r": 0,02 mm
reference temperature: 20° C
operation temperature: 10° C - 30° C
storage temperature: -10° C - 50° C

scale: 1:1 (1:2)
drawing-nr.: IDW-A1210-DB_e
date of issue: 02.01.2001
name: Müller

revision status: 1900
revision date: 23.08.2007