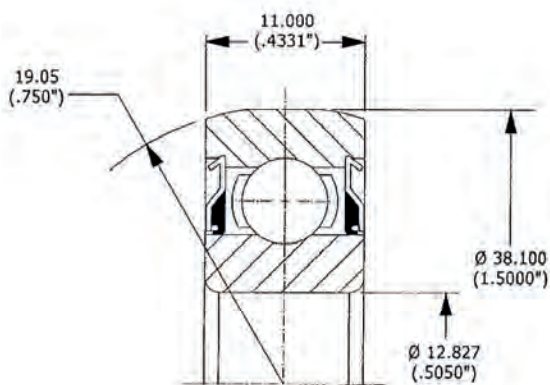




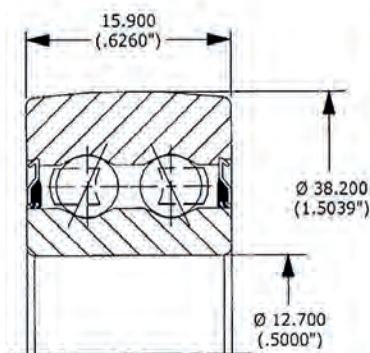
INDUSTRIES
BEARINGS & COMPONENTS

SPECIAL BEARINGS
CUSCINETTI SPECIALI

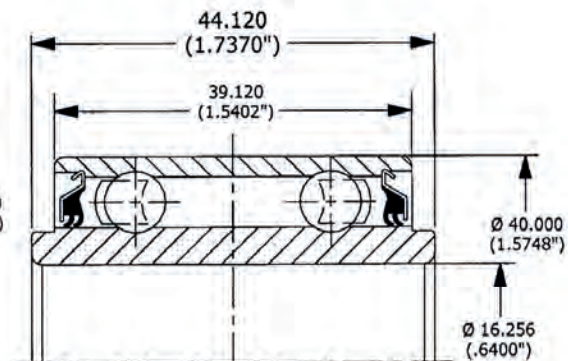




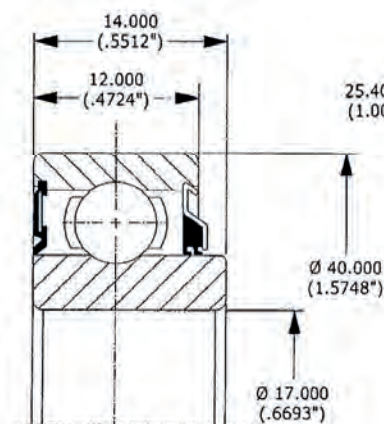
202NPP9



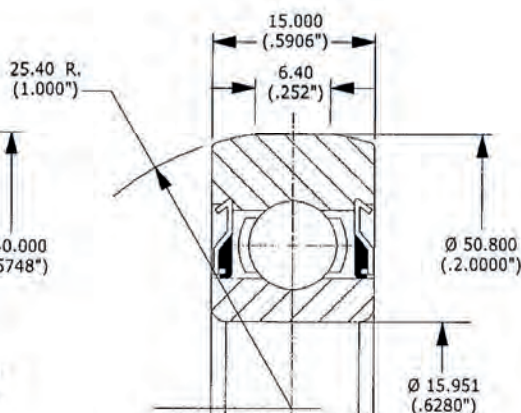
CF5202-2RST-8



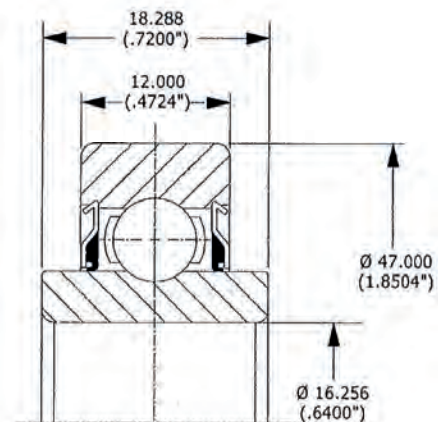
5203KYY2



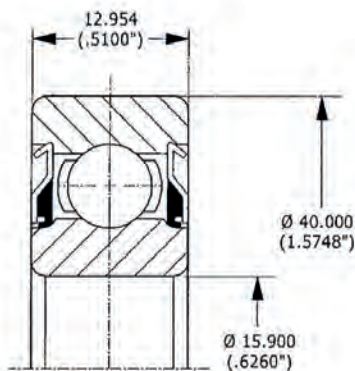
203JD



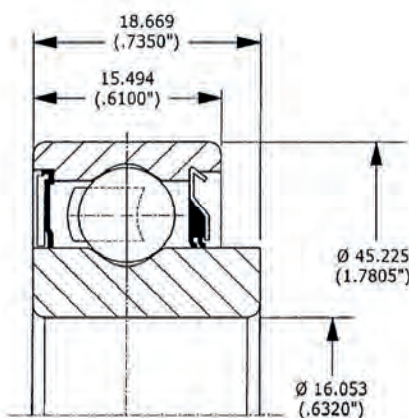
203KRR3



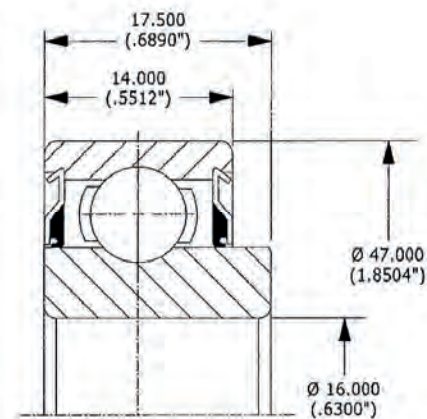
203KRR6



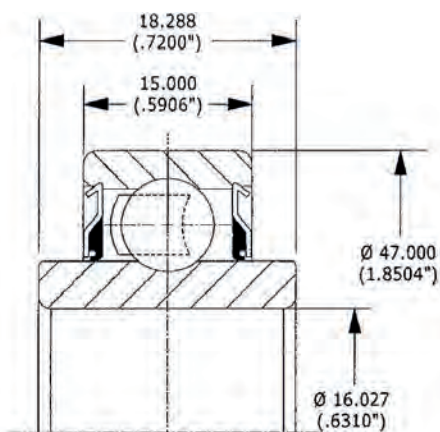
203NPP9



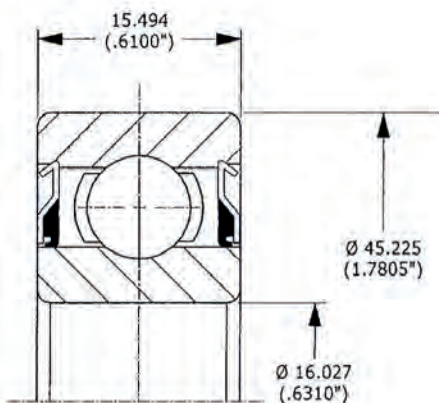
204JY3



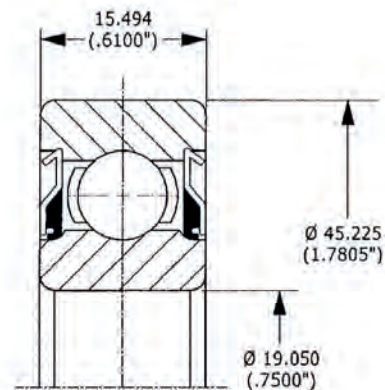
204KRD4



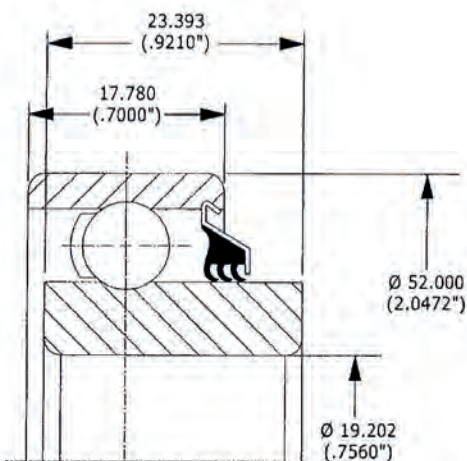
204KRR14



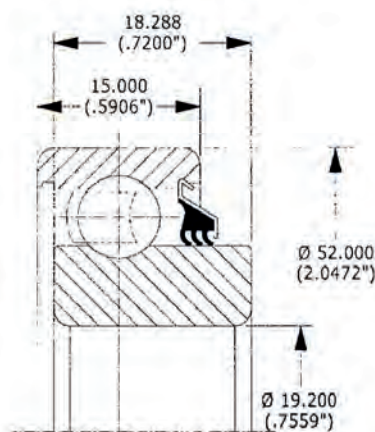
204RR8



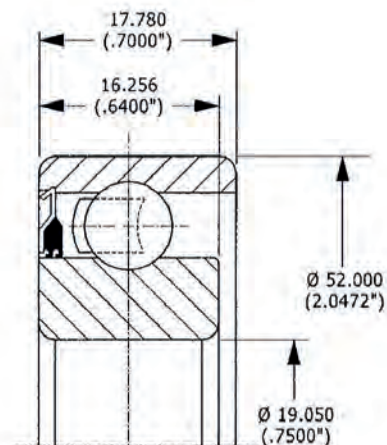
Z9504-2RST



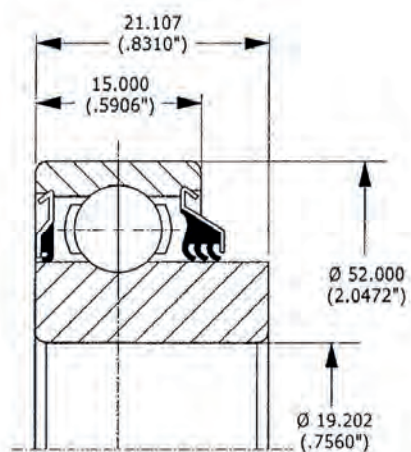
205KP6



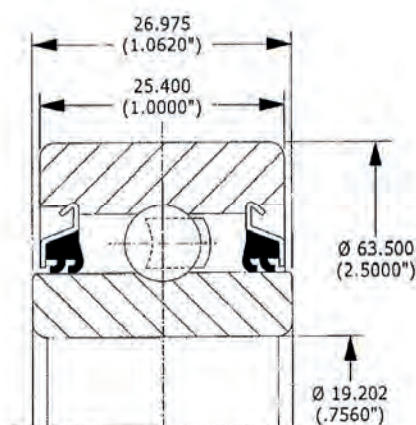
205KP8



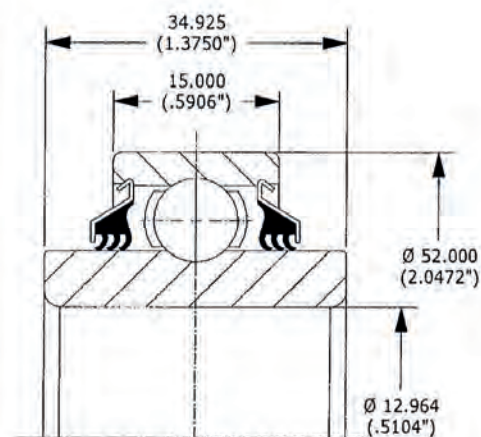
205KR3



205KRP2



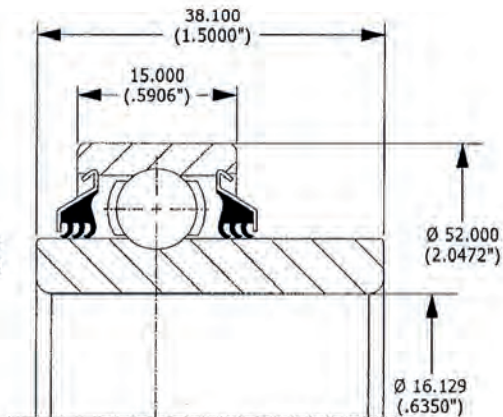
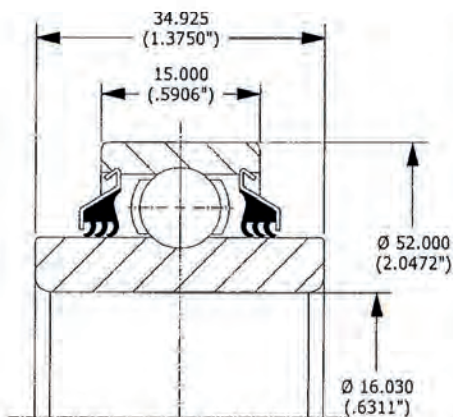
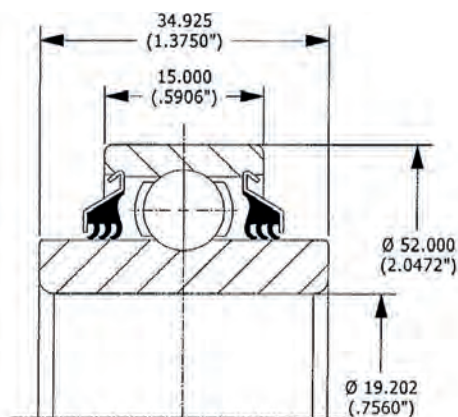
205KYY3



205PP8



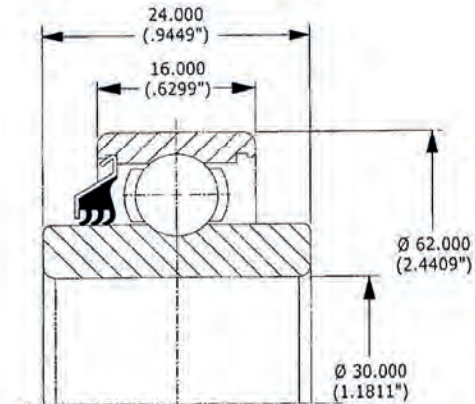
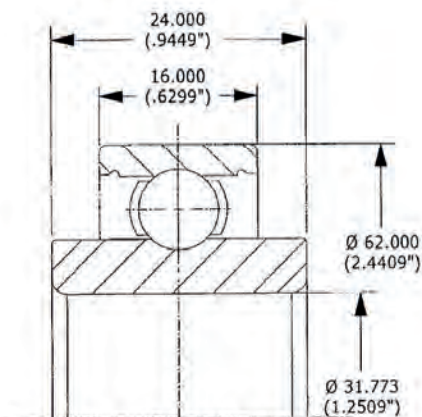
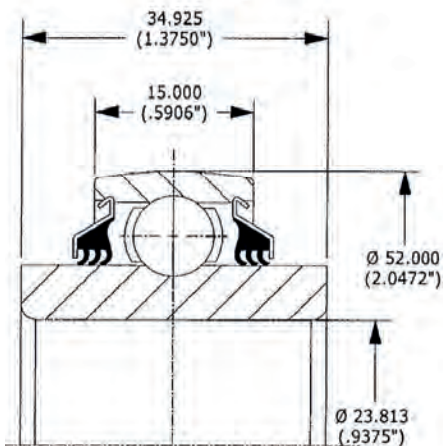
SPECIAL BEARINGS - CUSCINETTI SPECIALI



205PP9

205PP10

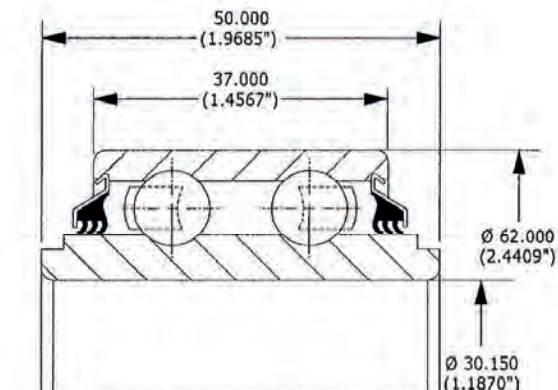
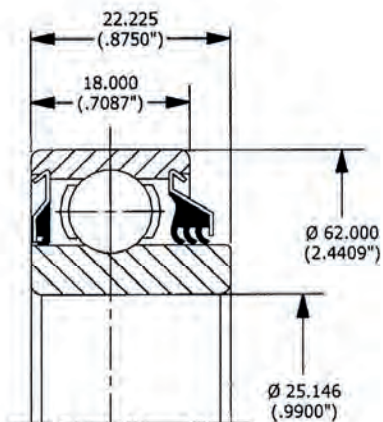
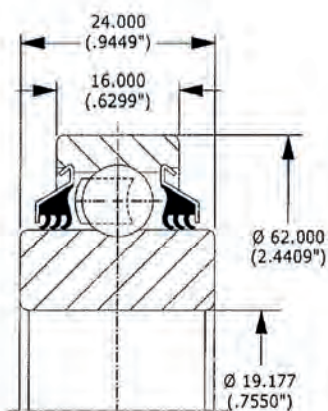
205PP12



205PPB7

206K14

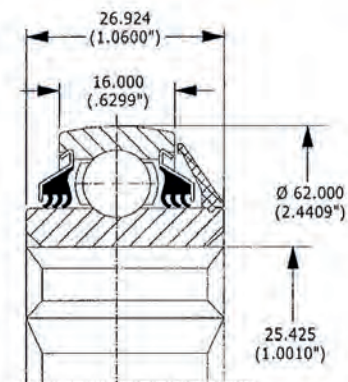
206KP2



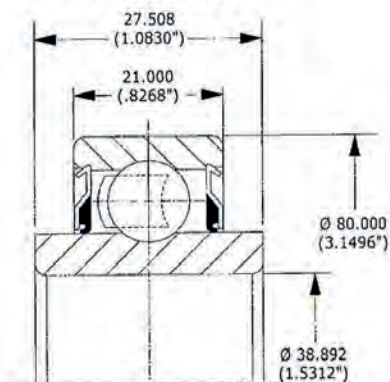
206KPP16

206KRP4

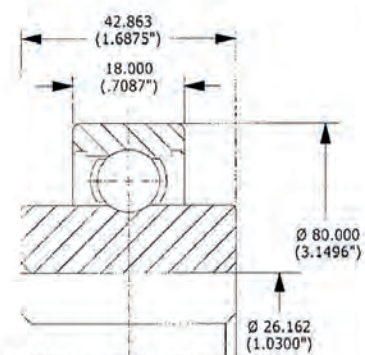
5206KPP3



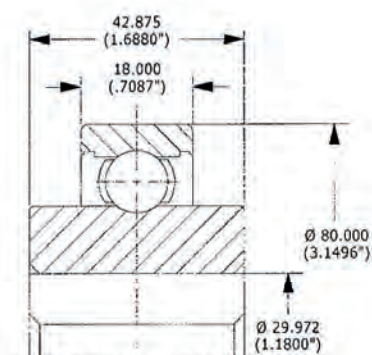
206KPPB5



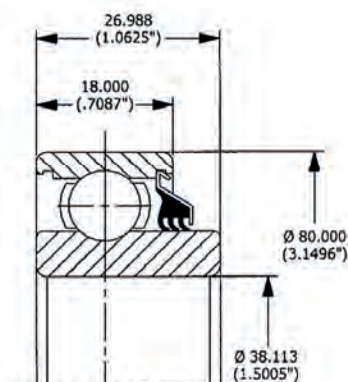
207KRR14



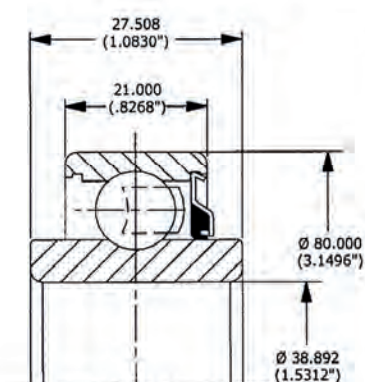
207KYY



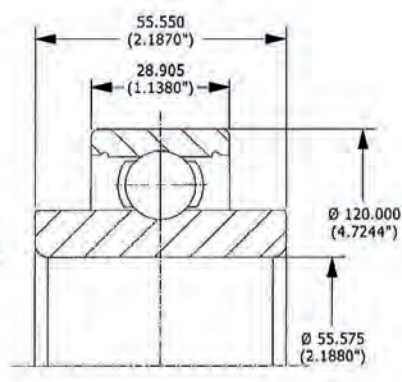
208KRR4



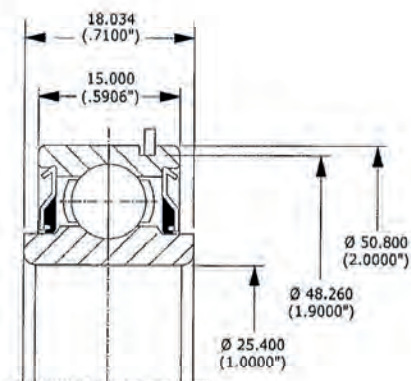
W208K2



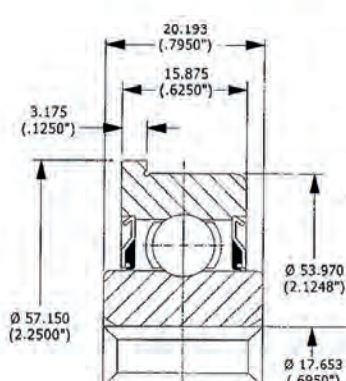
W208K3



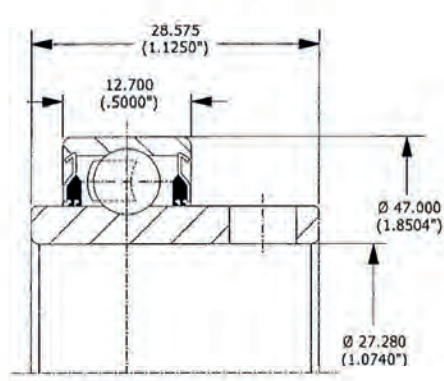
208KP2



208KR4



W213-8445



X365

RX84

FHRL6005-BB9105