

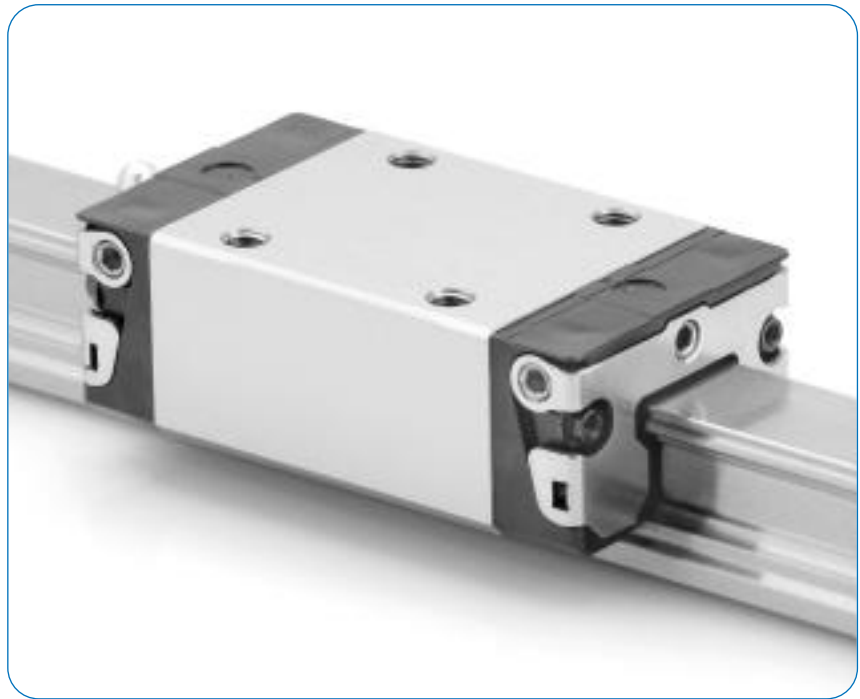
Carriage LLRHC xx U  
Slim line normal. Standard height.

For type designation see  
designation system

**Dynamic values**

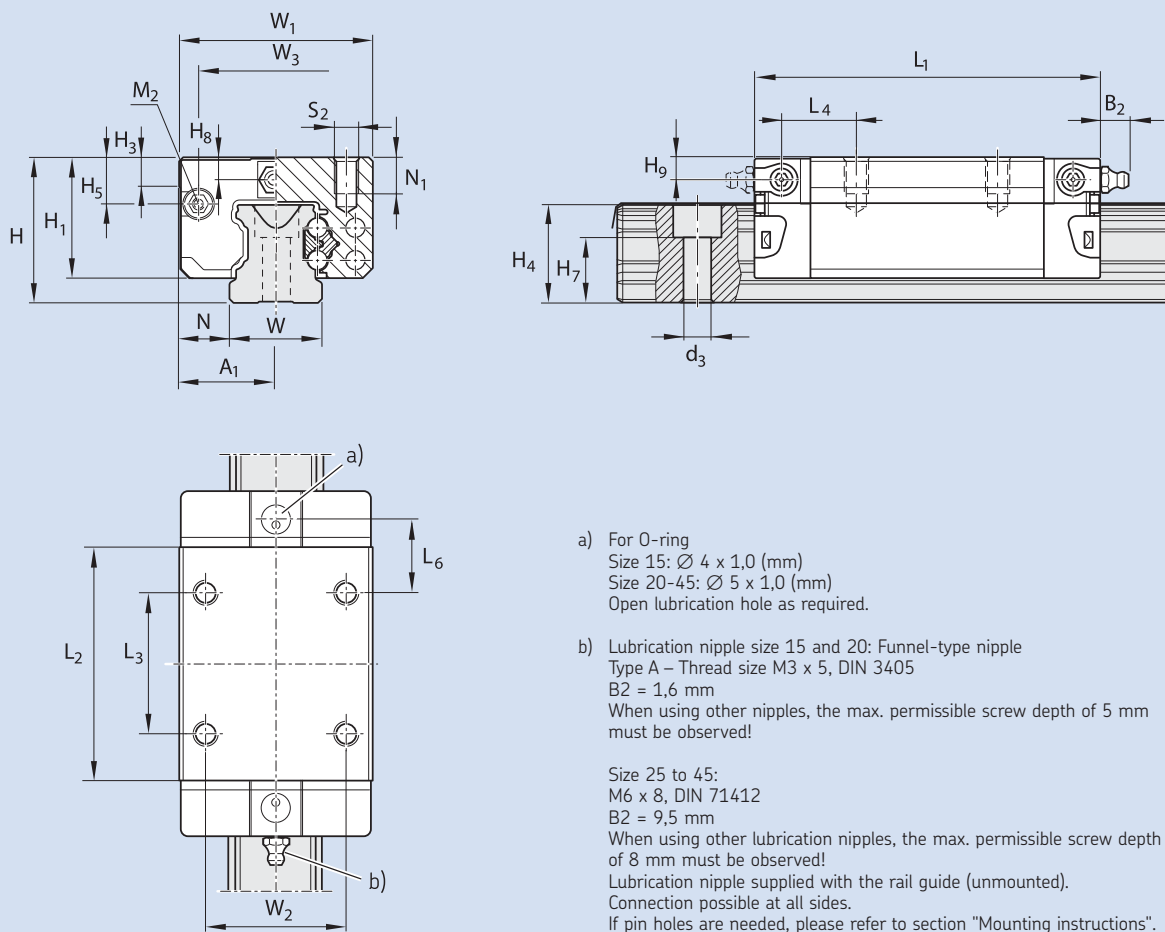
Speed  $v_{\max} = 5 \text{ m/s}$

Acceleration  $a_{\max} = 500 \text{ m/s}^2$



Size	Accuracy class	Type designation incl. preload class		
		T0	T1	T2
15	P5	LLRHC 15 U T0 P5	LLRHC 15 U T1 P5	LLRHC 15 U T2 P5
	P3	LLRHC 15 U T0 P3	LLRHC 15 U T1 P3	LLRHC 15 U T2 P3
	P1	LLRHC 15 U T0 P1	LLRHC 15 U T1 P1	LLRHC 15 U T2 P1
20	P5	LLRHC 20 U T0 P5	LLRHC 20 U T1 P5	LLRHC 20 U T2 P5
	P3	LLRHC 20 U T0 P3	LLRHC 20 U T1 P3	LLRHC 20 U T2 P3
	P1	LLRHC 20 U T0 P1	LLRHC 20 U T1 P1	LLRHC 20 U T2 P1
25	P5	LLRHC 25 U T0 P5	LLRHC 25 U T1 P5	LLRHC 25 U T2 P5
	P3	LLRHC 25 U T0 P3	LLRHC 25 U T1 P3	LLRHC 25 U T2 P3
	P1	LLRHC 25 U T0 P1	LLRHC 25 U T1 P1	LLRHC 25 U T2 P1
30	P5	LLRHC 30 U T0 P5	LLRHC 30 U T1 P5	LLRHC 30 U T2 P5
	P3	LLRHC 30 U T0 P3	LLRHC 30 U T1 P3	LLRHC 30 U T2 P3
	P1	LLRHC 30 U T0 P1	LLRHC 30 U T1 P1	LLRHC 30 U T2 P1
35	P5	LLRHC 35 U T0 P5	LLRHC 35 U T1 P5	LLRHC 35 U T2 P5
	P3	LLRHC 35 U T0 P3	LLRHC 35 U T1 P3	LLRHC 35 U T2 P3
	P1	LLRHC 35 U T0 P1	LLRHC 35 U T1 P1	LLRHC 35 U T2 P1
45	P5	LLRHC 45 U T0 P5	LLRHC 45 U T1 P5	LLRHC 45 U T2 P5
	P3	LLRHC 45 U T0 P3	LLRHC 45 U T1 P3	LLRHC 45 U T2 P3
	P1	LLRHC 45 U T0 P1	LLRHC 45 U T1 P1	LLRHC 45 U T2 P1

bold text = standard range



- a) For O-ring  
 Size 15:  $\varnothing 4 \times 1,0$  (mm)  
 Size 20-45:  $\varnothing 5 \times 1,0$  (mm)  
 Open lubrication hole as required.
  - b) Lubrication nipple size 15 and 20: Funnel-type nipple  
 Type A – Thread size M3 x 5, DIN 3405  
 B2 = 1,6 mm  
 When using other nipples, the max. permissible screw depth of 5 mm must be observed!
- Size 25 to 45:  
M6 x 8, DIN 71412  
B2 = 9,5 mm  
When using other lubrication nipples, the max. permissible screw depth of 8 mm must be observed!  
Lubrication nipple supplied with the rail guide (unmounted).  
Connection possible at all sides.  
If pin holes are needed, please refer to section "Mounting instructions".

Size	Dimensions (mm)																		
	W <sub>1</sub>	A <sub>1</sub>	W	N	L <sub>1</sub>	L <sub>2</sub>	H	H <sub>1</sub>	H <sub>4</sub> <sup>1)</sup>	H <sub>4</sub> <sup>2)</sup>	H <sub>3</sub>	W <sub>2</sub>	L <sub>3</sub>	W <sub>3</sub>	H <sub>5</sub>	L <sub>6</sub>	L <sub>4</sub>	H <sub>8</sub>	H <sub>9</sub>
15	34	17	15	9,5	58,2	39,2	24	19,90	16,30	16,20	5,0	26	26	24,55	6,70	10,00	11,60	3,20	3,20
20	44	22	20	12,0	75,0	49,6	30	25,35	20,75	20,55	6,0	32	36	32,50	7,30	13,80	13,80	3,35	3,35
25	48	24	23	12,5	86,2	57,8	36	29,90	24,45	24,25	7,5	35	35	38,30	11,50	17,45	18,60	5,50	5,50
30	60	30	28	16,0	97,7	67,4	42	35,35	28,55	28,35	7,0	40	40	48,40	14,60	20,00	21,70	6,05	6,05
35	70	35	34	18,0	110,5	77,0	48	40,40	32,15	31,85	8,0	50	50	58,00	17,35	20,50	22,00	6,90	6,90
45	86	43	45	20,5	137,6	97,0	60	50,30	40,15	39,85	10,0	60	60	69,80	20,90	27,30	29,30	8,20	8,20

<sup>1)</sup> Dimension H<sub>4</sub> with cover strip.

<sup>2)</sup> Dimension H<sub>4</sub> without cover strip

Size	Dimensions (mm)						Weight (kg)	Load ratings (N)		Moments (N <sub>m</sub> )		Moments (N <sub>m</sub> )	
	N <sub>1</sub>	H <sub>7</sub> <sup>+0,5</sup>	S <sub>2</sub>	d <sub>3</sub>	M <sub>2</sub>	C dyn.		C <sub>0</sub> stat.	M <sub>C</sub> dyn.	M <sub>C0</sub> stat.	M <sub>A</sub> dyn.	M <sub>B</sub> stat.	
15	6,0	10,3	M4	4,4	M2,5-3,5 depth	0,15	7 800	13 500	74	130	40	71	
20	7,5	13,2	M5	6,0	M3-5 depth	0,35	18 800	24 400	240	310	130	165	
25	9,0	15,2	M6	7,0	M3-5 depth	0,50	22 800	30 400	320	430	180	240	
30	12,0	17,0	M8	9,0	M3-5 depth	0,85	31 700	41 300	540	720	290	380	
35	13,0	20,5	M8	9,0	M3-5 depth	1,25	41 900	54 000	890	1 160	440	565	
45	18,0	23,5	M10	14,0	M4-7 depth	2,40	68 100	85 700	1 830	2 310	890	1 130	